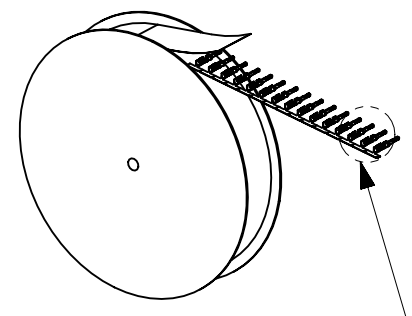
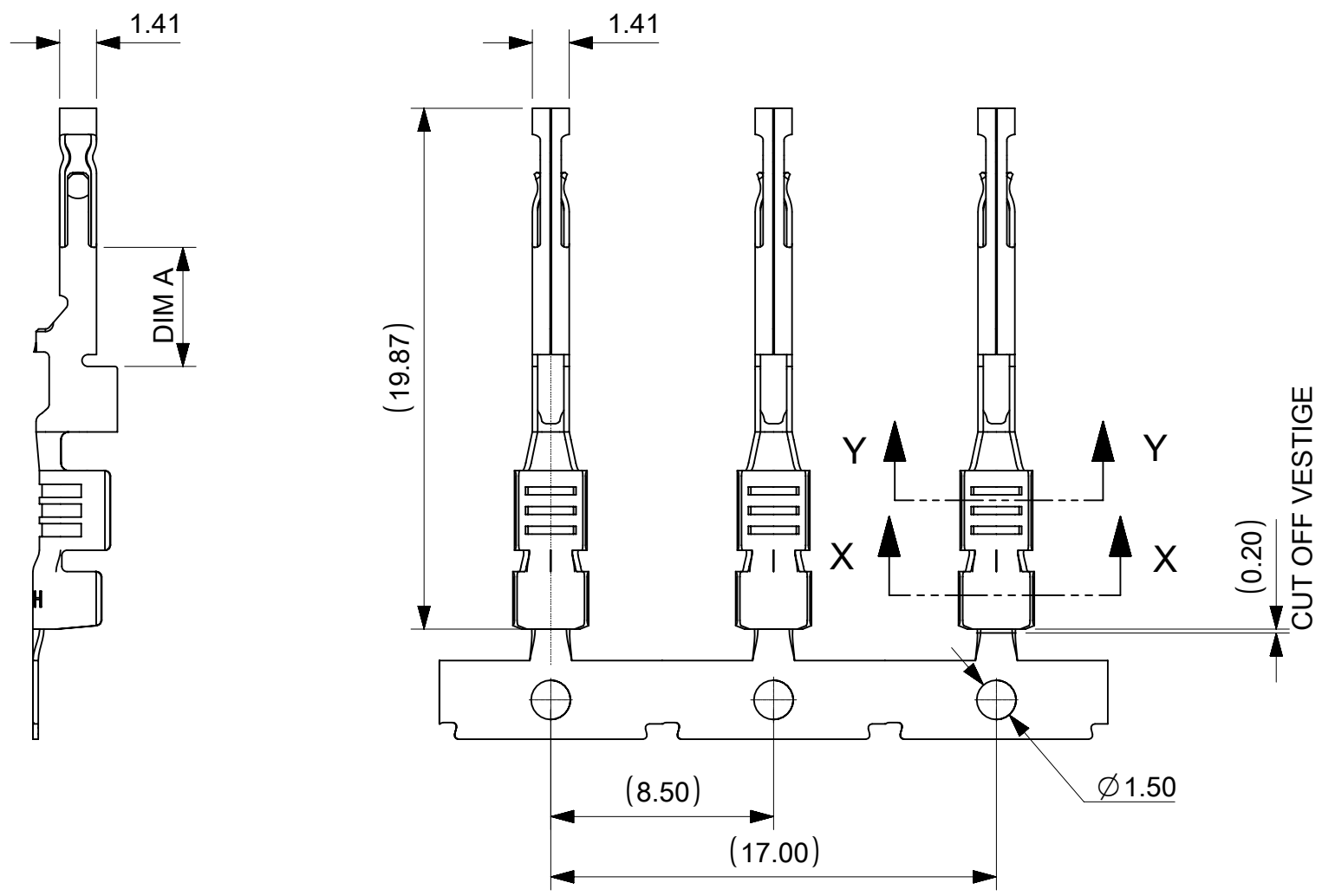
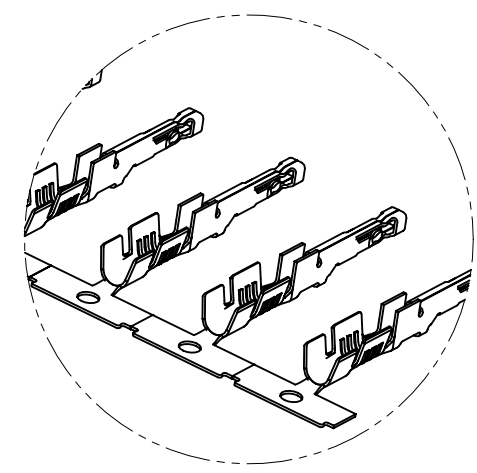


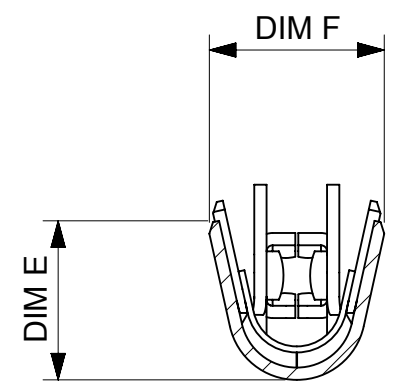
FINISHED RECEPTACLE TERMINALS							
PART NUMBER	CONTACT PLATING OPTION	CRIMP SIZE(AWG)	DIM A	DIM E	DIM F	DIM H	DIM J
172253-6011	15μ" GOLD	16-18	4.54	2.63	2.89	2.71	2.77
172253-6111	15μ" GOLD	20-22	4.54	2.08	2.33	2.16	2.20
172253-6012	30μ" GOLD	16-18	4.54	2.63	2.89	2.71	2.77
172253-6112	30μ" GOLD	20-22	4.54	2.08	2.33	2.16	2.20
172253-7023	PRE-PLATED TIN	16-18	5.54	2.63	2.89	2.71	2.77
172253-7123	PRE-PLATED TIN	20-22	5.54	2.08	2.33	2.16	2.20



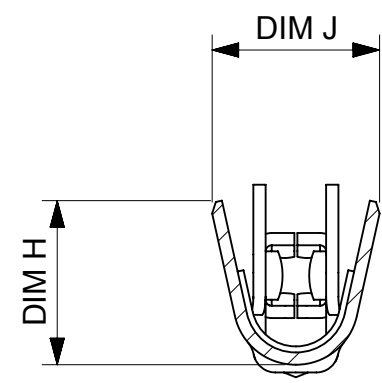
DETAIL Z



DETAIL Z  
SCALE 2:1

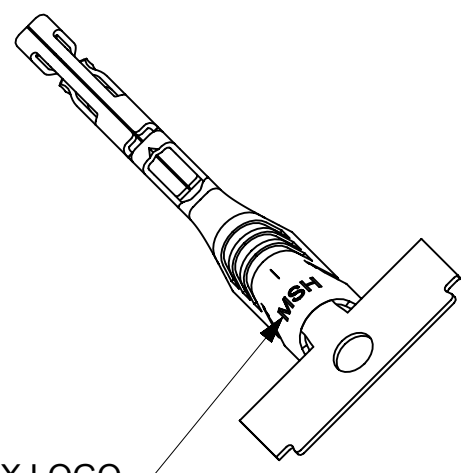


SECTION X-X  
SCALE 8:1



SECTION Y-Y  
SCALE 8:1

- NOTES:
- MATERIAL: HIGH CONDUCTIVITY COPPER ALLOY
  - PLATING FINISH:  
 OPTION 1 = 1.02μm(40μin)-3.05μm(120μin) HDT PRE-PLATED.  
 OPTION 2 = 0.38μm(15μin) GOLD CONTACT AREA.  
 1.52μm(60μin)-2.54μm(100μin) MATTE TIN CRIMP AREA OVER.  
 1.27μm(50μin)-2.54μm(100μin) DULL NICKEL OVERALL.  
 OPTION 3 = 0.76μm(30μin) GOLD CONTACT AREA.  
 1.52μm(60μin)-2.54μm(100μin) MATTE TIN CRIMP AREA OVER.  
 1.27μm(50μin)-2.54μm(100μin) DULL NICKEL OVERALL.
  - PRODUCT SPECIFICATION PS-172323-0001.
  - PACKAGING SPECIFICATION PK-172253-5102.
  - TERMINAL FOR USE WITH RECEPTACLE HOUSING 172256-3\*\*\*, 172256-4\*\*\*\*, 172258-3\*\*\*, 172258-4\*\*\*\*.
  - WHEN TERMINALS ARE INSTALLED IN THE HOUSING THE WIRES ARE TO BE DRESSED IN SUCH WAY TO ALLOW THE TERMINALS TO FLOAT FREELY IN THE POCKET.
  - TERMINAL DESIGNED FOR SINGLE WIRE CRIMP.
  - PART CONFORMS TO CLASS "B" REQUIREMENTS OF COSMETIC SPECIFICATION PS-45499-002.
  - APPLICATOR CRIMP TOOL TO USE:  
 639032800 - FOR 16-18AWG WIRE;  
 639032900 - FOR 20-22AWG WIRE
  - APPLICATION SPECIFICATION AS-172323-0001.
  - RECOMMENDED INSULATOR  
 16AWG WIRE - OD 2.00MM MAX.  
 20AWG WIRE - OD 1.50MM MAX.



MOLEX LOGO

SYMBOLS	THIS DRAWING CONTAINS INFORMATION THAT IS PROPRIETARY TO MOLEX ELECTRONIC TECHNOLOGIES, LLC AND SHOULD NOT BE USED WITHOUT WRITTEN PERMISSION		CURRENT REV DESC:		<b>molex</b>	
	▽ = 0	mm	SCALE	4:1		
▽ = 0	GENERAL TOLERANCES (UNLESS SPECIFIED)		EC NO: 651732		ULTRA-FIT RECEPT CRIMP TANGLESS TML	
▽ = 0	ANGULAR TOL ± °		DRWN: GLLI 2020/12/17			
▽ = 0	4 PLACES ±	APPR: YXZHENG 2020/12/28		PRODUCT CUSTOMER DRAWING		
▽ = 0	3 PLACES ±	INITIAL REVISION:		DOCUMENT NUMBER		
▽ = 0	2 PLACES ± 0.25	DRWN: SCHEN76 2018/03/12		1722532000		
▽ = 0	1 PLACE ± 0.5	APPR: AYIN 2019/02/27		DOC TYPE DOC PART REVISION		
▽ = 0	0 PLACES ±	THIRD ANGLE PROJECTION		PSD 000 A2		
□ = 0	DRAFT WHERE APPLICABLE MUST REMAIN WITHIN DIMENSIONS		DRAWING		SHEET NUMBER	
▽ = 0			A3-SIZE 172253		GENERAL MARKET 1 OF 1	