

## DESCRIPTION

25.5W PD(Powered Device) Integrated Module (Isolation Type)

## FEATURES

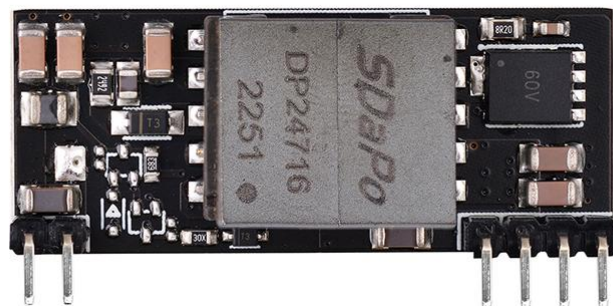
- IEEE802.3af/at compliant.
- Low cost.
- Support PoE applications in both of Fast / Gigabit Ethernet environments.
- Support wide input voltage range 37Vdc to 57Vdc.
- Thermal cut off.
- Short circuit protection.
- Over current protection
- High DC/DC converting efficiency.
- Less external component one output decoupling capacitor.
- Isolation level 1.5KVrms.

## Product List

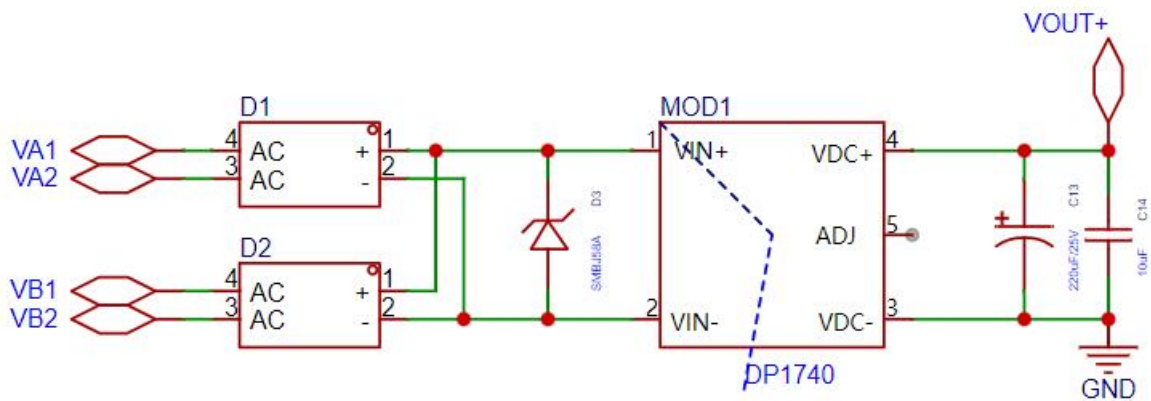
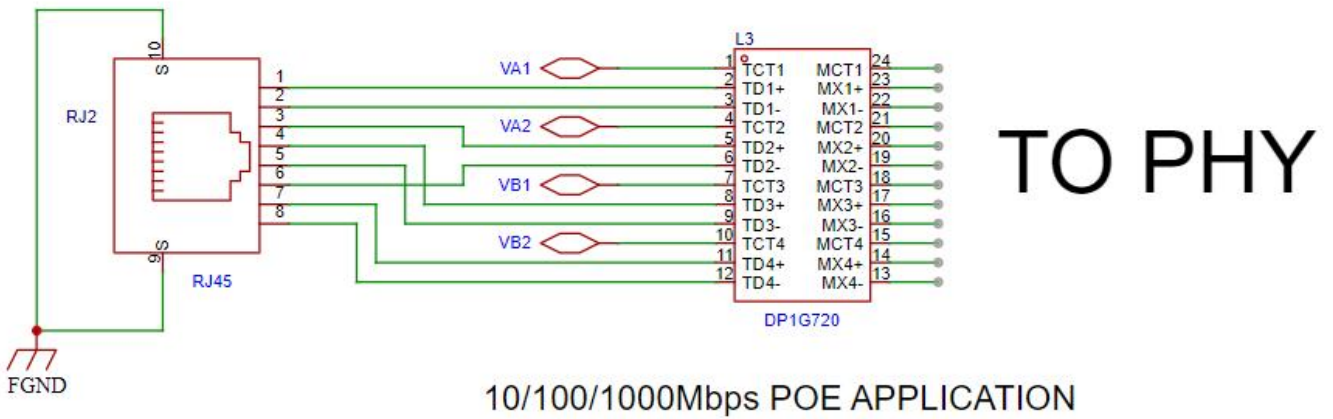
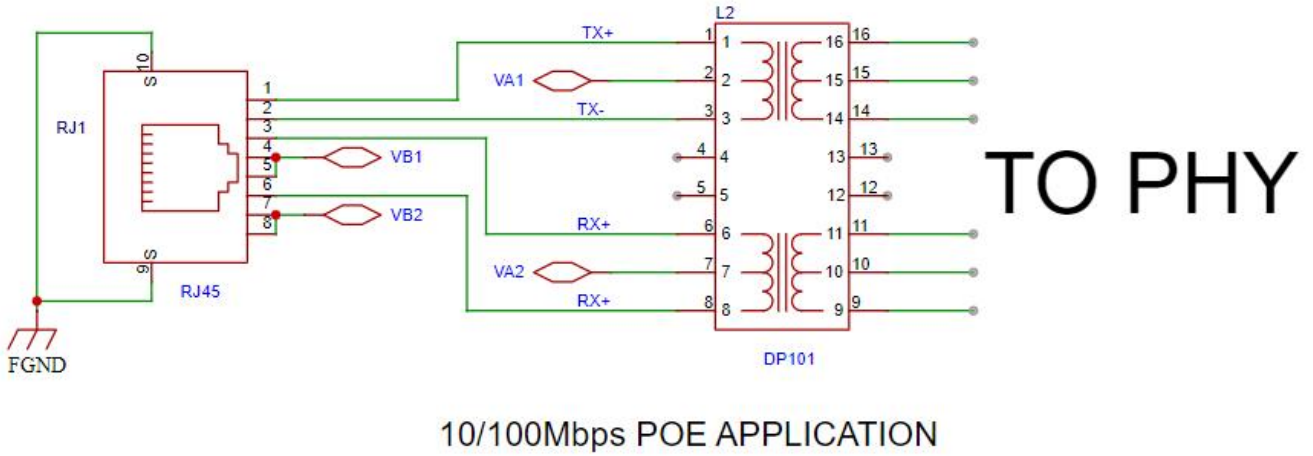
Part Number	Nominal Output Voltage / Current	Maximum Output Power	Nominal Input Voltage	Marking
DP1740-5V4A	5Vdc / 5A	25W @ 25°C	50Vdc	DP1740-5V
DP1740-12V2A	12Vdc / 2.1A	25.5W @ 25°C	50Vdc	DP1740-12V

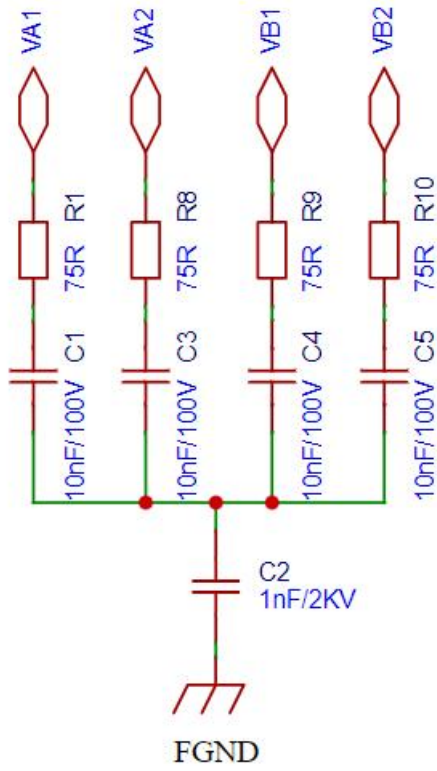
## PIN ASSIGNMENT

Pin #	Name	Description
1	VIN+	<b>Direct Input +.</b> This pin connects to the positive (+) output of the input bridge rectifiers.
2	VIN-	<b>Direct Input -.</b> This pin connects to the negative (-) output of the input bridge rectifiers.
3/4	-VDC	<b>DC Return.</b> This pin is the return path for the +VDC output.
5	ADJ	<b>Output Adjust.</b> The output voltage can be adjusted from its nominal value, by connecting an external resistor from this pin to either the +VDC pin or the -VDC pin.
6	+VDC	<b>DC Output.</b> This pin provides the regulated output from the DC/DC converter.



**Typical Application**





bobsmith

**ELECTRICAL SPECIFICATIONS**

No	Item	Specification	Comment
1	Input Voltage	37~57V	
2	Output Voltage	5V Typ.	DP1740-5V
		12V Typ.	DP1740-12V
3	Output Current (Vin=56V)	5A Max.	DP1740-5V
		2.1A Max.	DP1740-12V
4	Line Regulation	1%	
5	Load Regulation	1%	
6	Ripple & Noise	200mVp-p max.	
7	Efficiency	91% max.	DP1740-5V
		89% max.	DP1740-12V
8	Input to Output Isolation	1.5 KV	
9	Type of DC/DC Converter	Flyback Type	
10	Operating Temperature	-40 ~ +85 °C	

**Package**

