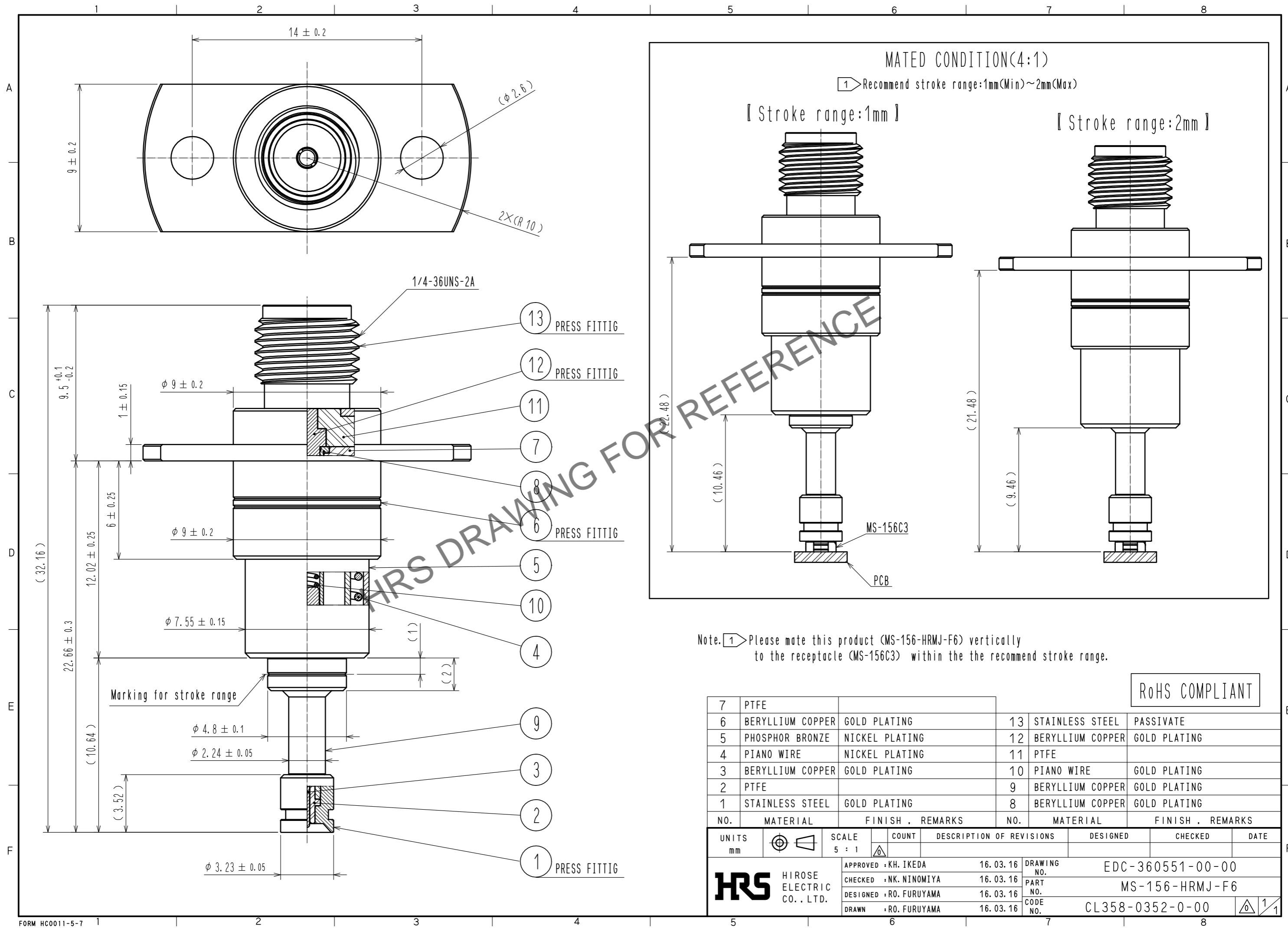


Jun.1.2024 Copyright 2024 HIROSE ELECTRIC CO., LTD. All Rights Reserved.  
In case of consideration for using Automotive equipment / device which demand high reliability, kindly contact our sales window correspondents.



Note. 1 Please mate this product (MS-156-HRMJ-F6) vertically to the receptacle (MS-156C3) within the the recommend stroke range.

RoHS COMPLIANT

NO.	MATERIAL	FINISH . REMARKS	NO.	MATERIAL	FINISH . REMARKS
7	PTFE		13	STAINLESS STEEL	PASSIVATE
6	BERYLLIUM COPPER	GOLD PLATING	12	BERYLLIUM COPPER	GOLD PLATING
5	PHOSPHOR BRONZE	NICKEL PLATING	11	PTFE	
4	PIANO WIRE	NICKEL PLATING	10	PIANO WIRE	GOLD PLATING
3	BERYLLIUM COPPER	GOLD PLATING	9	BERYLLIUM COPPER	GOLD PLATING
2	PTFE		8	BERYLLIUM COPPER	GOLD PLATING
1	STAINLESS STEEL	GOLD PLATING			

UNITS	SCALE	COUNT	DESCRIPTION OF REVISIONS	DESIGNED	CHECKED	DATE
mm	5 : 1	△				
APPROVED : KH. IKEDA			16.03.16	DRAWING NO. EDC-360551-00-00		
CHECKED : NK. NINOMIYA			16.03.16	PART NO. MS-156-HRMJ-F6		
DESIGNED : RO. FURUYAMA			16.03.16	CODE NO. CL358-0352-0-00		
DRAWN : RO. FURUYAMA			16.03.16	1/1		