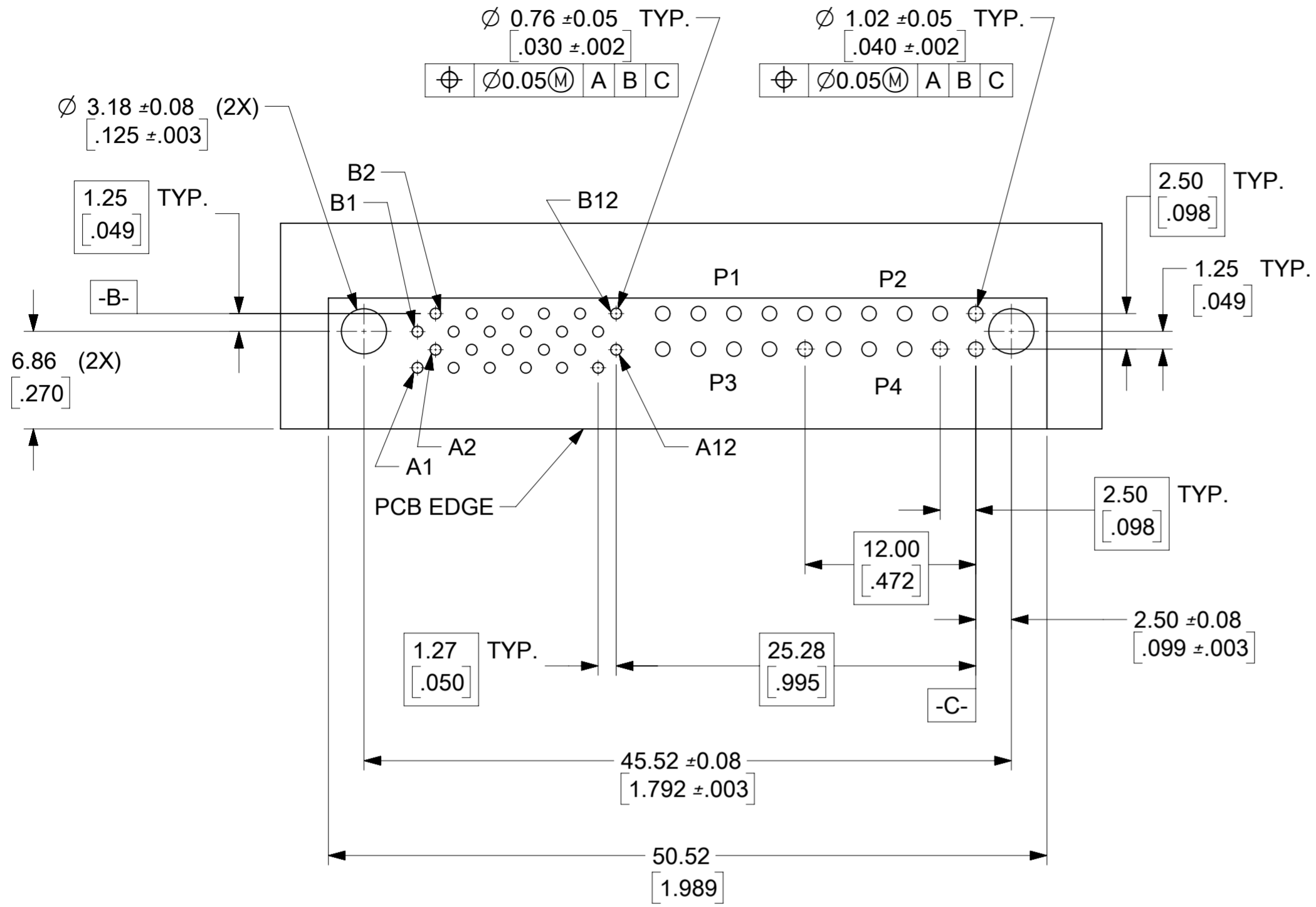


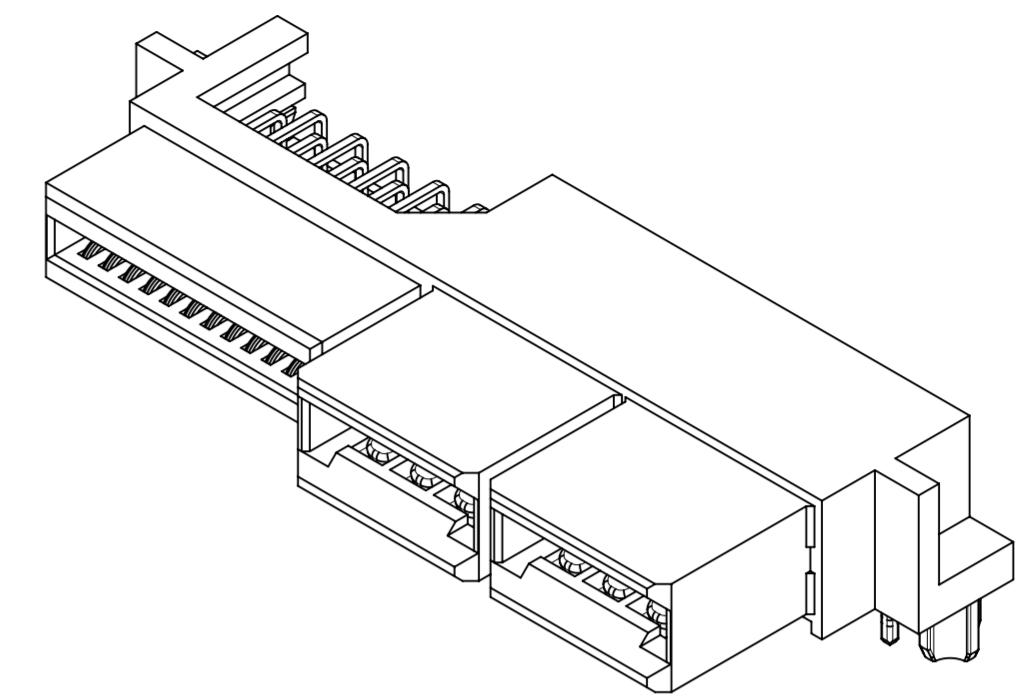
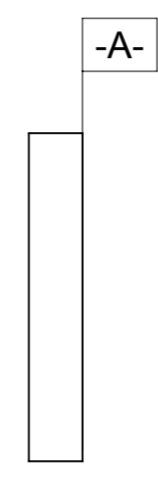
NOTES:

1. MATERIAL: HOUSING- GLASS FILLED LCP (LIQUID CRYSTAL POLYMER), UL 94V-0, COLOR: BLACK. TERMINALS-COPPER ALLOY.
2. PLATING: 0.76 MICROMETER / 30 MICROINCH MINIMUM SELECT GOLD IN CONTACT AREA, 3.81 MICROMETER / 150 MICROINCH MINIMUM TIN IN PC TAIL AREA, BOTH OVER 1.27 MICROMETER / 50 MICROINCH MINIMUM NICKEL OVERALL. POWER TERMINALS ARE LUBRICATED IN CONTACT AREA.
3. PRODUCT SPECIFICATION: PS-45984-001
4. PACKAGING SPECIFICATION: TRAY PER PK-45984-001

THIS DRAWING CONTAINS INFORMATION THAT IS PROPRIETARY TO MOLEX ELECTRONIC TECHNOLOGIES, LLC AND SHOULD NOT BE USED WITHOUT WRITTEN PERMISSION									
DIMENSION UNITS		SCALE		CURRENT REV DESC: RE-MASTERED IN ECTR					
mm/[in]		3:1							
GENERAL TOLERANCES (UNLESS SPECIFIED)									
4 PLACES ±		±		EC NO: 601373					
3 PLACES ±		± 0.01		DRWN: RMV02 2017/10/11					
2 PLACES ±		± 0.25		CHK'D: RMV02 2019/04/26					
1 PLACE ±		±		APPR: NCSR 2019/05/28					
0 PLACES ±		±		INITIAL REVISION:					
ANGULAR TOL ± 0.5 °		± 0.5 °		DRWN: MARGULIS 02/25/2005					
DRAFT WHERE APPLICABLE MUST REMAIN WITHIN DIMENSIONS		THIRD ANGLE PROJECTION		DRAWING		SERIES		MATERIAL NUMBER	
				A2-SIZE		45984		45984-0005	
DOCUMENT STATUS				CUSTOMER		SHEET NUMBER		REVISION	
P1				GENERAL MARKET		1 OF 2		G	
RELEASE DATE				DOC TYPE		DOC PART		REVISION	
2019/05/28 12:22:52				PSD		001		G	
PRODUCT CUSTOMER DRAWING				DOCUMENT NUMBER		SERIES		MATERIAL NUMBER	
SD-45984-005				45984		45984-0005		45984-0005	



RECOMMENDED PCB LAYOUT
 COMPONENT SIDE
 PCB THICKNESS: 2.36/.093



THIS DRAWING CONTAINS INFORMATION THAT IS PROPRIETARY TO MOLEX ELECTRONIC TECHNOLOGIES, LLC AND SHOULD NOT BE USED WITHOUT WRITTEN PERMISSION									
DIMENSION UNITS		SCALE		CURRENT REV DESC: RE-MASTERED IN ECTR					
mm/[in]		1:1							
GENERAL TOLERANCES (UNLESS SPECIFIED)				EC NO: 601373		2017/10/11		PRODUCT CUSTOMER DRAWING DOCUMENT NUMBER: SD-45984-005 DOC TYPE: PSD DOC PART: 001 REVISION: G	
				DRWN: RMV02		2019/04/26			
4 PLACES ±				CHK'D: RMV02		2019/05/28			
3 PLACES ±				APPR: NCSR					
2 PLACES ± 0.25				INITIAL REVISION:					
1 PLACE ±				DRWN: MARGULIS		02/25/2005			
0 PLACES ±				APPR: MARGULIS		02/25/2005			
ANGULAR TOL ± 0.5 °				THIRD ANGLE PROJECTION		DRAWING		SERIES	
DRAFT WHERE APPLICABLE MUST REMAIN WITHIN DIMENSIONS						A2-SIZE		45984	
MATERIAL NUMBER		CUSTOMER		SHEET NUMBER					
45984-0005		GENERAL MARKET		2 OF 2					

DOCUMENT STATUS	P1	RELEASE DATE	2019/05/28	12:22:52
-----------------	----	--------------	------------	----------