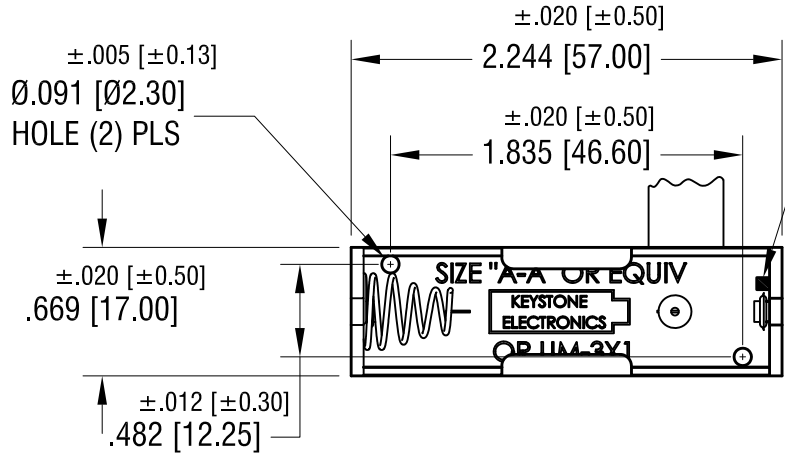
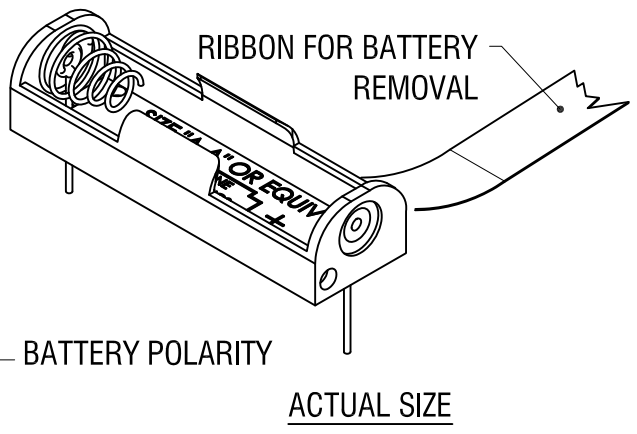
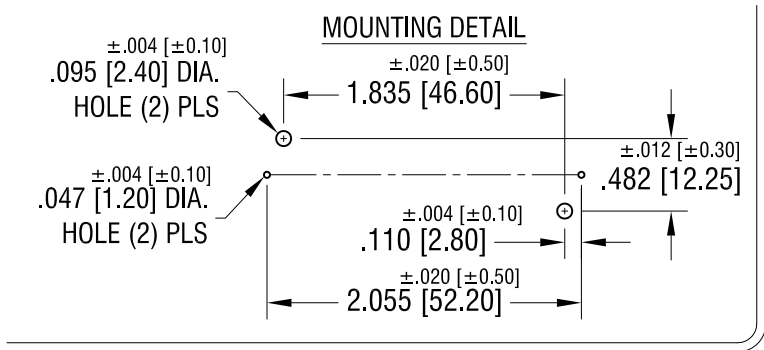
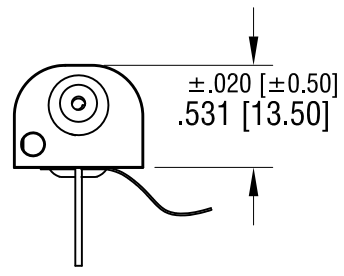
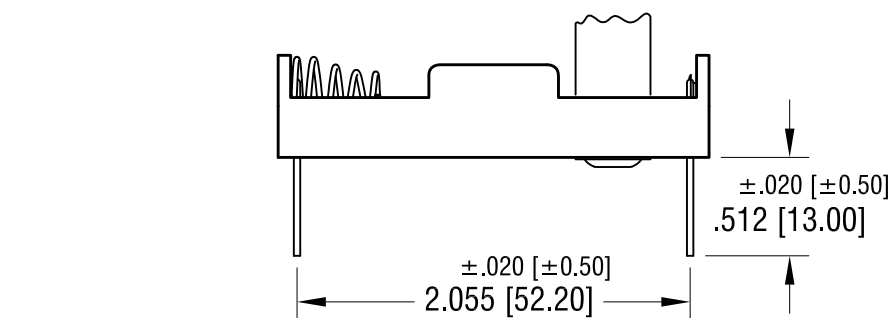


THIS DOCUMENT IS THE PROPERTY OF KEYSTONE ELECTRONICS CORP. AND SHALL NOT BE REPRODUCED, DISTRIBUTED OR USED AS A BASIS FOR MANUFACTURE WITHOUT PRIOR WRITTEN PERMISSION FROM KEYSTONE ELECTRONICS CORP.



BATTERY POLARITY

ACTUAL SIZE



NOTE:

1. HOLDER: MAT'L: POLYPROPYLENE
2. SPRING: MAT'L: MUSIC WIRE, .024 [0.60] DIA.
3. PC TERMINALS: MAT'L: BRASS, .032 [0.81] DIA.
4. RIBBON: MAT'L: NYLON, RED

<b>KEYSTONE ELECTRONICS CORP.</b>			
www.keyelco.com • NEW HYDE PARK, NY 11040 • Tel (516) 328-7500			
PART NAME			
PC BATTERY HOLDER (1) 'AA' W/RIBBON			
MATERIAL			
AS NOTED			
FINISH		DRN BY	DATE
NICKEL PLATE		BOONE	12.1.03
		APP'D	SCALE
		<b>MR</b>	1X
TOLERANCES	INCH [MM]	CODE	DWG NO.
DECIMAL	± .010 [± .025]	C	<b>2460RB</b>
ANGULAR	± 1°		
UNLESS OTHERWISE SPECIFIED			

5.07.24	UPDATE DIMENSIONS & TOLERANCE	B
11.8.05	CHANGE AS PER ECN 05-079	A
DATE	DESCRIPTION	REV.