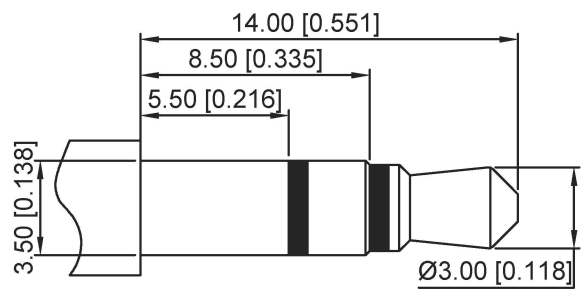
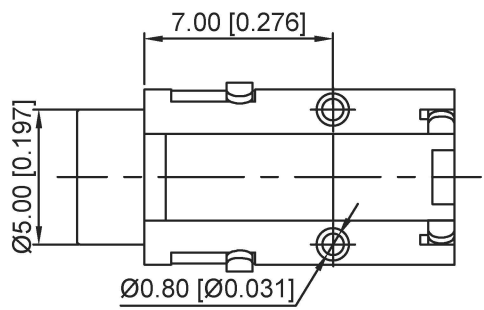


P.C.B LAYOUT MOUNTING PATTERN (TOP VIEW)

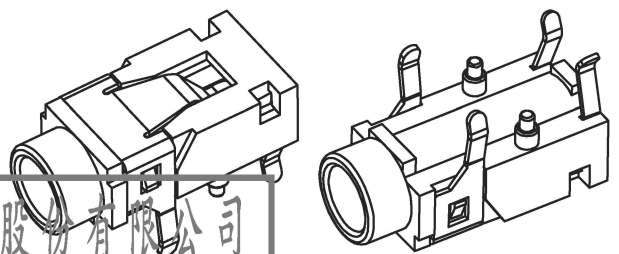


Ø3.50mm 3 POLE PLUG



**SPECIFICATION**

- 1. Rating: DC 30V 0.5A;
- 2. Contact resistance: ≤30mΩ;
- 3. Insulation resistance: ≥100MΩ;
- 4. Withstand voltage: 500VAC;
- 5. Insertion and extraction force: 3-20N;
- 6. Life test: 5,000 cycles.



MODEL NO.	PJ-3733
SCHEMATIC	

	MATERIAL	PLATING
terminal 1	Phosphor Bronze	tin
terminal 2	Phosphor Bronze	tin
terminal 3	Phosphor Bronze	tin
plastic	Pbt	

广东星坤科技股份有限公司

生效	日期
Δx	Δx
Δx	Δx
Δx	Δx
MARK	DESCRIPTION
文件工程章	

DATE	REVISED	APPROVED	UNSPECIFIED TOLERANCES
			ANGLAR ±5°
			L ≤ 4 ±0.2
			4 < L ≤ 16 ±0.3
			16 < L ≤ 63 ±0.4
			L > 63 ±0.5

DSND	DATE	SCALE: N/A	MODEL TYPE: 3.5 PHONE JACK
DWN	DATE	VIEW:	PART NO.:
CHKD	DATE	UNIT: mm/in	DWG NO.: PJ-3733
APPD	DATE	SIZE: A4	WEIGHT 1.0g
XKB INDUSTRIAL PRECISION CO., LIMITED			SHEET 1/1
			REVISION A0