

ME 67,5 UT/FE BUS/10+2 KMGY - Mounting base housing



2200541

<https://www.phoenixcontact.com/us/products/2200541>

Please be informed that the data shown in this PDF document is generated from our online catalog. Please find the complete data in the user documentation. Our general terms of use for downloads are valid.



DIN rail housing, Lower housing part with metal foot catch, with 3 FE contacts, tall design, with vents, width: 67.8 mm, height: 99 mm, depth: 107.3 mm, color: light grey (similar RAL 7035), cross connection: integrated bus connector, number of positions cross connector: 10+2, Bus connector: 10 parallel contacts, 2 serial contacts

Your advantages

- Tool-free mounting
- Available in overall widths from 12.5 mm ... 90 mm, modular extension is possible
- Flammability rating V0 in accordance with UL 94
- Variety of connection technology
- Can be mounted on the DIN rail
- With integrated or DIN-rail-mountable bus connector as an option

Commercial data

Item number	2200541
Packing unit	10 pc
Minimum order quantity	1 pc
Product key	ACHAAB
Catalog page	Page 665 (C-1-2013)
GTIN	4046356608077
Weight per piece (including packing)	117.54 g
Weight per piece (excluding packing)	117.54 g
Country of origin	DE

ME 67,5 UT/FE BUS/10+2 KMGY - Mounting base housing



2200541

<https://www.phoenixcontact.com/us/products/2200541>

Technical data

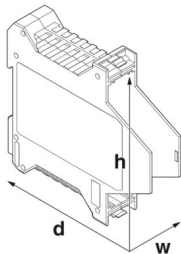
Notes

Assembly note	Refer to the data sheet for the range in the download area.
Recommendation	Material of contact pads for bus connector, galvanic gold (hard gold)

Product properties

Product type	Enclosure bottom part
Housing type	DIN rail housing
Housing series	ME
Product family	ME 67,5..
Type	Lower housing parts with vents, housing cover necessary to complete the module
Max. number of positions	0)
Type	Lower housing part with metal foot catch, with 3 FE contacts, tall design
Ventilation openings present	yes

Dimensions

Dimensional drawing	
Width	67.8 mm
Height	99 mm
Depth	107.3 mm
Depth from top edge of DIN rail	100.7 mm
Depth from top edge of DIN rail to support point on upper part	68.5 mm

PCB design

PCB thickness	1.4 mm ... 1.8 mm
---------------	-------------------

Material specifications

Color (Housing)	light grey (RAL 7035)
Flammability rating according to UL 94	V0
CTI according to IEC 60112	600
Housing material	Polyamide
Surface characteristics	untreated

Environmental and real-life conditions

ME 67,5 UT/FE BUS/10+2 KMGY - Mounting base housing



2200541

<https://www.phoenixcontact.com/us/products/2200541>

Power dissipation single housing for 20 °C

Ambient temperature	20 °C
Reduction factor	1
Mounting position	vertical
Power dissipation	9.1 W

Power dissipation single housing for 30 °C

Ambient temperature	30 °C
Reduction factor	0.91
Mounting position	vertical
Power dissipation	8.3 W

Power dissipation single housing for 40 °C

Ambient temperature	40 °C
Reduction factor	0.81
Mounting position	vertical
Power dissipation	7.4 W

Power dissipation single housing for 50 °C

Ambient temperature	50 °C
Reduction factor	0.7
Mounting position	vertical
Power dissipation	6.4 W

Power dissipation single housing for 60 °C

Ambient temperature	60 °C
Reduction factor	0.57
Mounting position	vertical
Power dissipation	5.2 W

Power dissipation single housing for 70 °C

Ambient temperature	70 °C
Reduction factor	0.49
Mounting position	vertical
Power dissipation	4.6 W

Vibration test

Specification	IEC 60068-2-6:2007-12
Frequency	10 - 150 - 10 Hz
Sweep speed	1 octave/min
Amplitude	0.15 mm (10 Hz ... 58.1 Hz)
Acceleration	2g (58.1 Hz ... 150 Hz)
Test duration per axis	2.5 h
Test directions	X-, Y- and Z-axis

Glow-wire test

Specification	IEC 60695-2-11:2014-02
---------------	------------------------

ME 67,5 UT/FE BUS/10+2 KMGY - Mounting base housing



2200541

<https://www.phoenixcontact.com/us/products/2200541>

Temperature	850 °C
Time of exposure	30 s

Thermal stability / ball thrust test

Specification	IEC 60695-10-2:2014-02
Temperature	125 °C
Test duration	1 h
Force	20 N

Mechanical strength / tumbling barrel

Specification	IEC 60998-1:2002-12
Height of fall	50 cm
Frequency	10

Shocks

Specification	IEC 60068-2-27:2008-02
Pulse shape	Half-sine
Acceleration	15g
Shock duration	11 ms
Number of shocks per direction	3
Test directions	X-, Y- and Z-axis (pos. and neg.)

Degree of protection (IP code)

Specification	IEC 60529:1989-11 + AMD 1:1999-11 + AMD 2:2013-08
---------------	---

Ambient conditions

Max. IP code to attain	IP20
Ambient temperature (operation)	-40 °C ... 105 °C (depending on power dissipation)
Ambient temperature (storage/transport)	-40 °C ... 55 °C
Ambient temperature (assembly)	-5 °C ... 100 °C
Relative humidity (storage/transport)	80 %

PCB data

Number of PCB holders	3
Type of PCB mount	Insertion (optional latching by PCB stop)
Thickness of the PCB	1.4 mm ... 1.8 mm

Mounting

Mounting type	DIN rail mounting
Mounting position	Vertical (horizontal DIN rail)

Packaging specifications

Type of packaging	packed in cardboard
Outer packaging type	Carton

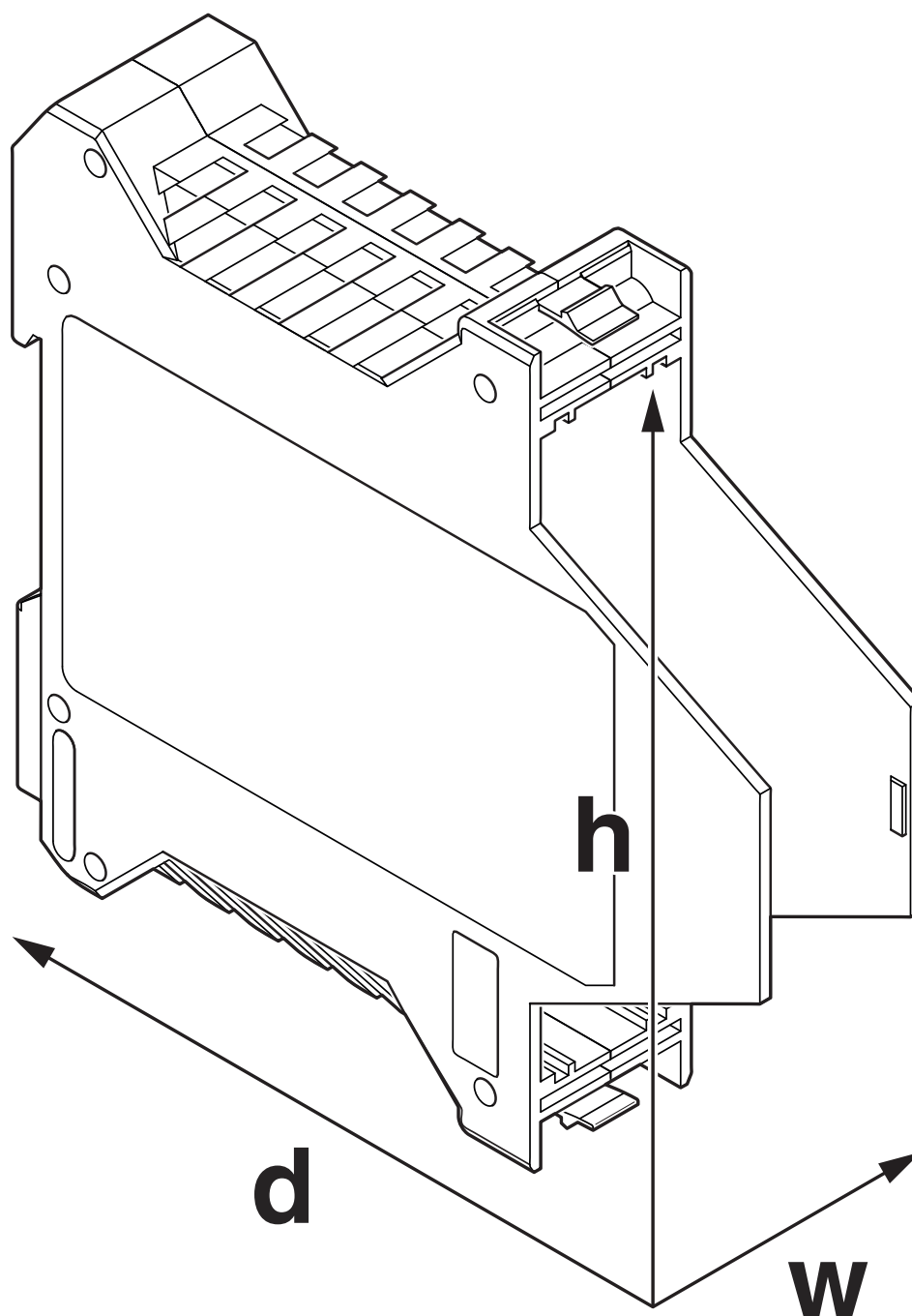
ME 67,5 UT/FE BUS/10+2 KMGY - Mounting base housing

2200541

<https://www.phoenixcontact.com/us/products/2200541>

Drawings

Dimensional drawing



Schematic figure for illustrating the item dimensions. The figure is not of the desired product. For further details, refer to the product drawings in the "Downloads" tab.

ME 67,5 UT/FE BUS/10+2 KMGY - Mounting base housing





2200541

<https://www.phoenixcontact.com/us/products/2200541>

Approvals

To download certificates, visit the product detail page: <https://www.phoenixcontact.com/us/products/2200541>

 cUL Recognized Approval ID: FILE E 60425				
	Nominal voltage U_N	Nominal current I_N	Cross section AWG	Cross section mm^2
Use group B	300 V	8 A	-	-
Use group D	300 V	8 A	-	-

 UL Recognized Approval ID: FILE E 60425				
	Nominal voltage U_N	Nominal current I_N	Cross section AWG	Cross section mm^2
Use group B	300 V	8 A	-	-
Use group D	300 V	8 A	-	-

cULus Recognized				
-------------------------	--	--	--	--

ME 67,5 UT/FE BUS/10+2 KMGY - Mounting base housing



2200541

<https://www.phoenixcontact.com/us/products/2200541>

Classifications

ECLASS

ECLASS-11.0	27182702
ECLASS-13.0	27190601

ETIM

ETIM 9.0	EC001031
----------	----------

UNSPSC

UNSPSC 21.0	31261500
-------------	----------

ME 67,5 UT/FE BUS/10+2 KMGY - Mounting base housing



2200541

<https://www.phoenixcontact.com/us/products/2200541>

Environmental product compliance

EU RoHS

Fulfills EU RoHS substance requirements	Yes, No exemptions
---	--------------------

China RoHS

Environment friendly use period (EFUP)	EFUP-E
	No hazardous substances above the limits

EU REACH SVHC

REACH candidate substance (CAS No.)	No substance above 0.1 wt%
-------------------------------------	----------------------------

ME 67,5 UT/FE BUS/10+2 KMGY - Mounting base housing

2200541

<https://www.phoenixcontact.com/us/products/2200541>

Mandatory accessories

ME 67,5 OT-1MSTBO KMGY - Upper housing part

2200522

<https://www.phoenixcontact.com/us/products/2200522>



DIN rail housing, Upper housing part for connectors with header, width: 67.5 mm, height: 99 mm, depth: 45.85 mm, color: light grey (similar RAL 7035)

ME 45 OT-FKDSO KMGY - Upper housing part

2200327

<https://www.phoenixcontact.com/us/products/2200327>



DIN rail housing, Upper housing part for PCB terminal blocks with Push-in spring connection, width: 45.2 mm, height: 99 mm, depth: 45.85 mm, color: light grey (similar RAL 7035)

ME 67,5 UT/FE BUS/10+2 KMGY - Mounting base housing

2200541

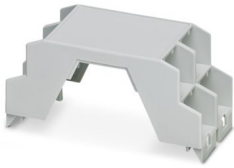
<https://www.phoenixcontact.com/us/products/2200541>

ME 45 OT-MSTBO KMGY - Upper housing part

2854429

<https://www.phoenixcontact.com/us/products/2854429>

DIN rail housing, Upper housing part for connectors with header, width: 45.2 mm, height: 99 mm, depth: 45.85 mm, color: light grey (similar RAL 7035)



ME 45 OT-MKDSO KMGY - Upper housing part

2853255

<https://www.phoenixcontact.com/us/products/2853255>

DIN rail housing, Upper housing part for PCB terminal blocks with screw connection, width: 45.2 mm, height: 99 mm, depth: 45.85 mm, color: light grey (similar RAL 7035)



ME 67,5 UT/FE BUS/10+2 KMGY - Mounting base housing

2200541

<https://www.phoenixcontact.com/us/products/2200541>

ME 45 OT-1MSTBO KMGY - Upper housing part

2709299

<https://www.phoenixcontact.com/us/products/2709299>

DIN rail housing, Upper housing part for connectors with header, width: 45.2 mm, height: 99 mm, depth: 45.85 mm, color: light grey (similar RAL 7035)



ME 45 OT-MSTBO SET KMGY - Upper housing part

2869032

<https://www.phoenixcontact.com/us/products/2869032>

DIN rail housing, Set comprised of upper housing part, 8 PCB headers (4-pos.), and 8 PCB terminal blocks with screw connection (4-pos.), width: 45.2 mm, height: 99 mm, depth: 45.85 mm, color: light grey (similar RAL 7035)



ME 67,5 UT/FE BUS/10+2 KMGY - Mounting base housing

2200541

<https://www.phoenixcontact.com/us/products/2200541>

ME 22,5 OT-MSTBO KMGY - Upper housing part

2907761

<https://www.phoenixcontact.com/us/products/2907761>

DIN rail housing, Upper housing part for connectors with header, width: 22.6 mm, height: 99 mm, depth: 45.85 mm, color: light grey (similar RAL 7035)



ME 22,5 OT-FKDSO KMGY - Upper housing part

2200323

<https://www.phoenixcontact.com/us/products/2200323>

DIN rail housing, Upper housing part for PCB terminal blocks with Push-in spring connection, width: 22.6 mm, height: 99 mm, depth: 45.85 mm, color: light grey (similar RAL 7035)



ME 67,5 UT/FE BUS/10+2 KMGY - Mounting base housing

2200541

<https://www.phoenixcontact.com/us/products/2200541>

ME 22,5 OT-MKDSO KMGY - Upper housing part

2908469

<https://www.phoenixcontact.com/us/products/2908469>



DIN rail housing, Upper housing part for PCB terminal blocks with screw connection, width: 22.6 mm, height: 99 mm, depth: 45.85 mm, color: light grey (similar RAL 7035)

ME 22,5 OTU-MKDSO KMGY - Upper housing part

2278953

<https://www.phoenixcontact.com/us/products/2278953>



DIN rail housing, Upper housing part for PCB terminal blocks with screw connection, width: 22.6 mm, height: 99 mm, depth: 45.85 mm, color: light grey (similar RAL 7035)

ME 67,5 UT/FE BUS/10+2 KMGY - Mounting base housing

2200541

<https://www.phoenixcontact.com/us/products/2200541>

ME 22,5 OT-1MSTBO KMGY - Upper housing part

2914877

<https://www.phoenixcontact.com/us/products/2914877>

DIN rail housing, Upper housing part for connectors with header, width: 22.6 mm, height: 99 mm, depth: 45.85 mm, color: light grey (similar RAL 7035)



ME 22,5 OT-3MSTBO KMGY - Upper housing part

2914880

<https://www.phoenixcontact.com/us/products/2914880>

DIN rail housing, Upper housing part for connectors with header, width: 22.6 mm, height: 102 mm, depth: 60.15 mm, color: light grey (similar RAL 7035)



ME 67,5 UT/FE BUS/10+2 KMGY - Mounting base housing

2200541

<https://www.phoenixcontact.com/us/products/2200541>

ME 22,5 OT-MKDSO SET KMGY - Upper housing part

2853734

<https://www.phoenixcontact.com/us/products/2853734>

DIN rail housing, Set comprised of upper housing part and 4 PCB terminal blocks (4-pos.) with screw connection, width: 22.6 mm, height: 99 mm, depth: 45.85 mm, color: light grey (similar RAL 7035)



ME 22,5 OT-MSTBO KMGY VPE200 - Upper housing part

2896801

<https://www.phoenixcontact.com/us/products/2896801>

DIN rail housing, Upper housing part for connectors with header, width: 22.6 mm, height: 99 mm, depth: 45.85 mm, color: light grey (similar RAL 7035)



ME 67,5 UT/FE BUS/10+2 KMGY - Mounting base housing

2200541

<https://www.phoenixcontact.com/us/products/2200541>

ME 22,5 OT-MSTBO SET KMGY - Upper housing part

2709244

<https://www.phoenixcontact.com/us/products/2709244>

DIN rail housing, Set comprised of upper housing part, 4 PCB headers (4-pos.), and 4 PCB terminal blocks with screw connection (4-pos.), width: 22.6 mm, height: 99 mm, depth: 45.85 mm, color: light grey (similar RAL 7035)



ME 22,5 OTP-MSTBO PS KMGY - Upper housing part

2279282

<https://www.phoenixcontact.com/us/products/2279282>

DIN rail housing, Upper housing part for connectors with header, width: 22.6 mm, height: 99 mm, depth: 45.85 mm, color: light grey (similar RAL 7035)



Accessories

ME 67,5 UT/FE BUS/10+2 KMGY - Mounting base housing



2200541

<https://www.phoenixcontact.com/us/products/2200541>

ME LPZS - PCB stop

2906911

<https://www.phoenixcontact.com/us/products/2906911>



DIN rail housing, after approx. 4 cm, the ME LPZS PCB pull-out stop prevents the PCB from being removed completely and locks the PCB in place

ME-SAS - Shield connection clamp

2853899

<https://www.phoenixcontact.com/us/products/2853899>



Shield connection clamp for terminal points starting from 2.5 mm²

ME 67,5 UT/FE BUS/10+2 KMGY - Mounting base housing

2200541

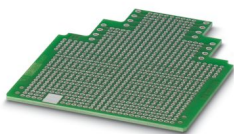
<https://www.phoenixcontact.com/us/products/2200541>

ME LP - PCB

2906908

<https://www.phoenixcontact.com/us/products/2906908>

PCB, for custom fitting, with contact to DIN rail (EN 60715)

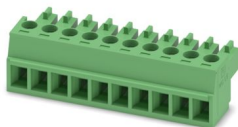


MC 1,5/10-ST-3,81 - PCB connector

1803659

<https://www.phoenixcontact.com/us/products/1803659>

PCB connector, nominal cross section: 1.5 mm², color: green, nominal current: 8 A, rated voltage (III/2): 160 V, contact surface: Tin, contact connection type: Socket, number of potentials: 10, number of rows: 1, number of positions: 10, number of connections: 10, product range: MC 1,5/..-ST, pitch: 3.81 mm, connection method: Screw connection with tension sleeve, screw head form: L Slotted, conductor/PCB connection direction: 0 °, plug-in system: COMBICON MC 1,5, locking: without, mounting: without, type of packaging: packed in cardboard



ME 67,5 UT/FE BUS/10+2 KMGY - Mounting base housing

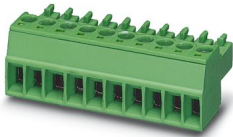
2200541

<https://www.phoenixcontact.com/us/products/2200541>

MC 1,5/10-ST-3,81 AU - PCB connector

1879599

<https://www.phoenixcontact.com/us/products/1879599>



PCB connector, nominal cross section: 1.5 mm², color: green, nominal current: 8 A, rated voltage (III/2): 160 V, contact surface: Gold, contact connection type: Socket, number of potentials: 10, number of rows: 1, number of positions: 10, number of connections: 10, product range: MC 1,5/...-ST, pitch: 3.81 mm, connection method: Screw connection with tension sleeve, screw head form: L Slotted, conductor/PCB connection direction: 0 °, pin layout: Linear three-way pinning, plug-in system: COMBICON MC 1,5, locking: without, mounting: without, type of packaging: packed in cardboard

IMC 1,5/ 2-ST-3,81 GY7035 - PCB connectors

1708376

<https://www.phoenixcontact.com/us/products/1708376>



PCB connector, nominal cross section: 1.5 mm², color: light grey, nominal current: 8 A, rated voltage (III/2): 160 V, contact surface: Tin, contact connection type: Pin, number of potentials: 2, number of rows: 1, number of positions: 2, number of connections: 2, product range: IMC 1,5/...-ST, pitch: 3.81 mm, connection method: Screw connection with tension sleeve, screw head form: L Slotted, conductor/PCB connection direction: 0 °, plug-in system: COMBICON MC 1,5, locking: without, mounting: without, type of packaging: packed in cardboard

ME 67,5 UT/FE BUS/10+2 KMGY - Mounting base housing



2200541

<https://www.phoenixcontact.com/us/products/2200541>

MC 1,5/10-ST-3,81 BK - PCB connector

1839733

<https://www.phoenixcontact.com/us/products/1839733>



PCB connector, nominal cross section: 1.5 mm², color: black, nominal current: 8 A, rated voltage (III/2): 160 V, contact surface: Tin, contact connection type: Socket, number of potentials: 10, number of rows: 1, number of positions: 10, number of connections: 10, product range: MC 1,5/..-ST, pitch: 3.81 mm, connection method: Screw connection with tension sleeve, screw head form: L Slotted, conductor/PCB connection direction: 0 °, pin layout: Linear three-way pinning, plug-in system: COMBICON MC 1,5, locking: without, mounting: without, type of packaging: packed in cardboard

MC 1,5/10-ST-3,81 BK AU - PCB connector

1771978

<https://www.phoenixcontact.com/us/products/1771978>



PCB connector, nominal cross section: 1.5 mm², color: black, nominal current: 8 A, rated voltage (III/2): 160 V, contact surface: Gold, contact connection type: Socket, number of potentials: 10, number of rows: 1, number of positions: 10, number of connections: 10, product range: MC 1,5/..-ST, pitch: 3.81 mm, connection method: Screw connection with tension sleeve, screw head form: L Slotted, conductor/PCB connection direction: 0 °, pin layout: Linear three-way pinning, plug-in system: COMBICON MC 1,5, locking: without, mounting: without, type of packaging: packed in cardboard

ME 67,5 UT/FE BUS/10+2 KMGY - Mounting base housing

2200541

<https://www.phoenixcontact.com/us/products/2200541>

IMC 1,5/10-ST-3,81 BK AU - PCB connectors

1770746

<https://www.phoenixcontact.com/us/products/1770746>



PCB connector, nominal cross section: 1.5 mm², color: black, nominal current: 8 A, rated voltage (III/2): 160 V, contact surface: Gold, contact connection type: Pin, number of potentials: 10, number of rows: 1, number of positions: 10, number of connections: 10, product range: IMC 1,5/...-ST, pitch: 3.81 mm, connection method: Screw connection with tension sleeve, screw head form: L Slotted, conductor/PCB connection direction: 0 °, plug-in system: COMBICON MC 1,5, locking: without, mounting: without, type of packaging: packed in cardboard

MC 1,5/ 2-ST-3,81 BK - PCB connector

1827635

<https://www.phoenixcontact.com/us/products/1827635>



PCB connector, nominal cross section: 1.5 mm², color: black, nominal current: 8 A, rated voltage (III/2): 160 V, contact surface: Tin, contact connection type: Socket, number of potentials: 2, number of rows: 1, number of positions: 2, number of connections: 2, product range: MC 1,5/...-ST, pitch: 3.81 mm, connection method: Screw connection with tension sleeve, screw head form: L Slotted, conductor/PCB connection direction: 0 °, pin layout: Linear three-way pinning, plug-in system: COMBICON MC 1,5, locking: without, mounting: without, type of packaging: packed in cardboard

ME 67,5 UT/FE BUS/10+2 KMGY - Mounting base housing

2200541

<https://www.phoenixcontact.com/us/products/2200541>

ME MF 17,5 - Base latch

2908281

<https://www.phoenixcontact.com/us/products/2908281>

Metal foot catch with spring, for intermediate elements.



ME B-KA KMGY - Cover

2706302

<https://www.phoenixcontact.com/us/products/2706302>

Terminal cover, 1 strip covers up to 12 terminal points, for ME-BUS terminal opening, (male side)



ME 67,5 UT/FE BUS/10+2 KMGY - Mounting base housing



2200541

<https://www.phoenixcontact.com/us/products/2200541>

EML (44X64)R-ME - Label for ME ... UT ... BUS ... housing

0828266

<https://www.phoenixcontact.com/us/products/0828266>



Label for ME ... UT ... BUS ... housing, Roll, white, unlabeled, can be labeled with: THERMOMARK ROLLMASTER 300/600, THERMOMARK X1.2, THERMOMARK ROLL X1, THERMOMARK ROLL 2.0, THERMOMARK ROLL, mounting type: adhesive, lettering field size: 44 x 64 mm, Number of individual labels: 200

Phoenix Contact 2024 © - all rights reserved

<https://www.phoenixcontact.com>

Phoenix Contact USA
586 Fulling Mill Road
Middletown, PA 17057, United States
(+717) 944-1300
info@phoenixcon.com