

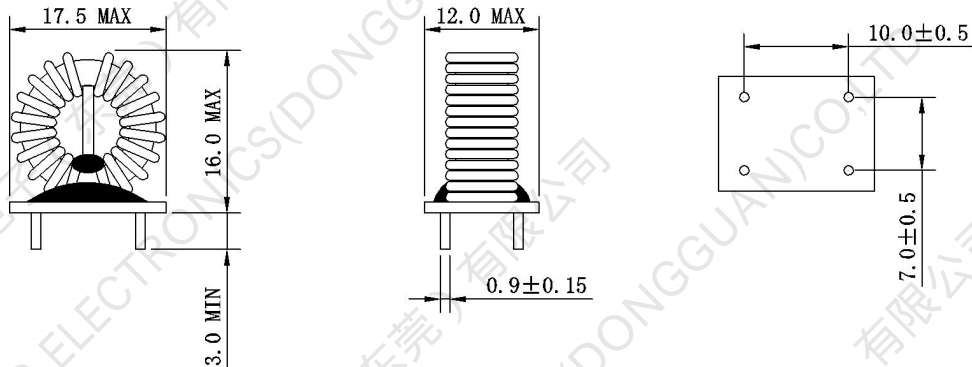
Common Mode Choke FC-SLF1308-251-LF

Features:

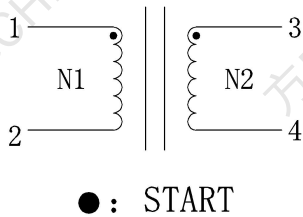
1. High current common mode choke
2. Inductance range: 250 μ H +50%/-30%
3. turns Ratio: 1:1
4. Insulation Test Voltage: 1000VDC
5. Rated Current: 15A
6. Operating temperature: -40 °C to +125 °C



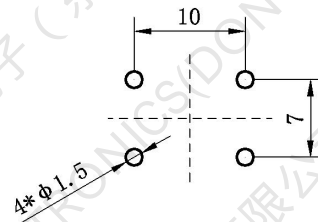
1. Dimensions:mm



2. Schematic:



3. RecommenLand Pattern: mm



4. Electrical Properties

NO.	ITEMS	MEASURING POINT	TECHNICAL DATA	TEST CONDITION	INSTRUMENT
1	Inductors	N1=N2	250 μ H +50%/-30%	100KHz, 0.3V, 25°C	HP4284A
2	Inductors Deflection	L(1-2)-L(3-4)	8 μ H /MAX	100KHz, 0.3V, 25°C	HP4284A
3	IR	COIL~CORE	100Mohm MIN	DC500V	MF2511
4	turns Ratio	N1:N2	1:1	20KHz, 1V, 25°C	TH3250
5	DCR	N1=N2	7m Ω /MAX	25°C	CH502
6	Insulation Test Voltage	COIL => COIL	1000V/DC	50Hz 2mA 60S	CJ2670
7	Rated Current	N1/N2	15A	Δ T \cong 55°C	6240

Ambient temperature : -40°C to +125°C

Operating temperature: -40°C to +125°C