

TABLE 2		
No OF POS	"A"	"B"
-020	.838 [21.27]	.793 [20.13]
-040	1.625 [41.28]	1.580 [40.13]
-060	2.413 [61.28]	2.368 [60.13]
*-080	3.200 [81.28]	3.155 [80.14]
*-100	3.988 [101.28]	3.943 [100.14]

(* = SEE NOTE 17)

TABLE 1	
No OF POS	COPLANARITY INCLUDING GP
-020 THRU -040	.004[0.10]
-060, *-080, *-100	.006[0.15]

(* = SEE NOTE 17)

QSE-XXX-01-XXX-D-XXX-XX-X-XX

No OF POSITIONS

-020, -040, -060
*-080, *-100 (PER ROW)
(* = SEE NOTE 17)

LEAD STYLE

-01: .1280[3.251]

PLATING SPECIFICATION

(SEE NOTES 8, 11 & 13)
-F: 3u" SELECTIVE GOLD IN CONTACT AREA, MATTE TIN ON TAIL (USE C-126-21-F, T-1G2-01-F) (SEE NOTE 8)
-L: 10u" SELECTIVE GOLD IN CONTACT AREA, MATTE TIN ON TAIL (USE C-126-21-L, T-1G2-01-L)
-H: 30u" GOLD IN CONTACT AREA, 3u" GOLD ON TAIL (USE C-126-21-H, T-1G2-01-G)
-C: 50u" ELECTRO POLISHED SELECTIVE GOLD IN CONTACT AREA, MATTE TIN ON TAIL (USE C-126-21-C, T-1G2-01-L)
-STL: 30u" SELECTIVE GOLD IN CONTACT AREA, TIN LEAD (90/10 ±5%) ON TAIL (USE C-126-21-STL, T-1G2-01-STL)
-FTL: 3u" SELECTIVE GOLD INCONTACT AREA, TIN LEAD (90/10 ±5%) ON TAIL (USE C-126-21-FTL, T-1G2-01-FTL)
-LTL: 10u" SELECTIVE GOLD IN CONTACT AREA, TIN LEAD (90/10 ±5%) ON TAIL (USE C-126-21-LTL, T-1G2-01-LTL)
-S: 30u" SELECTIVE GOLD IN CONTACT AREA, MATTE TIN ON TAIL (USE C-126-21-S, T-1G2-01-L)

ROW SPECIFICATION

-D: DOUBLE (USE QSE-20-XX-D-XX)
No OF BANKS

PACKAGING

BLANK: TRAY (SEE NOTE 22)
-TR: TAPE & REEL (60 POS MAX) (SEE NOTES 22 & 23) (SEE FIG 8, SHT 5)
(40 POS MAX -GP OPTION)
-FR: FULL REEL QTY TAPE & REEL (SEE NOTES 22 & 23) (60 POS MAX)
(40 POS MAX -GP OPTION)

PICK & PLACE OPTION

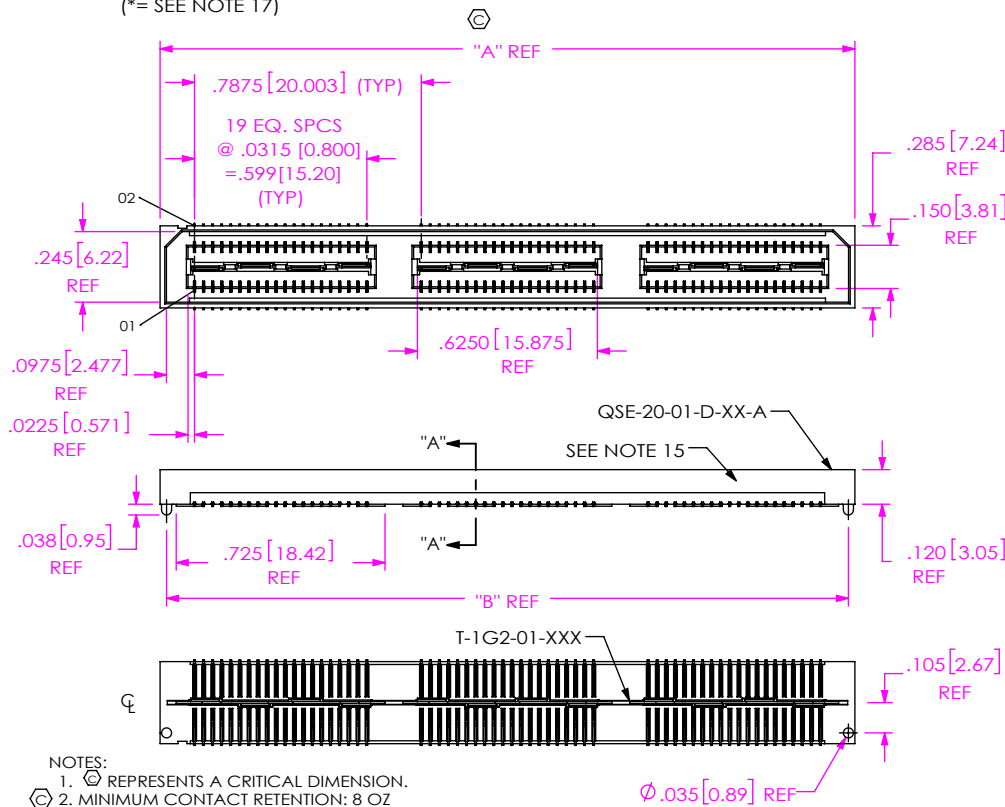
-K: POLYIMIDE FILM (USE K-DOT-.325-.450-.005) (SEE FIG 3, SHT 2)

OPTION 2

-A: ALIGNMENT PINS (USE QSE-20-XX-D-XX-A) (NOT AVAILABLE WITH -LC OPTION)
-LC: LOCKING CLIPS (SEE NOTE 14) (USE LC-08-TM-01, SEE FIG 2, SHT 2) (NOT AVAILABLE WITH -A OPTION)
-L: LATCHING OPTION (40 POS MAX) (SEE FIG 7, SHT 4) (MUST USE -A OPTION) (NOT AVAILABLE WITH -LC, -GP, -FL, OR -RT1)

OPTION 1

-GP: GUIDE POSTS (SEE FIG 4, SHT 3) (USE QSE-20-01-D-XX-X-GP) (T & R PACKAGING: 40 POS MAX)
-FL: FRICTION LOCKS (SEE FIG 5, SHT 3) (NOT AVAILABLE WITH -GP) (MUST USE -A OPTION) (USE QSE-20-01-D-XX-A-RT1 & SUB-SC-05-01-FF) (SEE FIG 6, SHT 4) (NOT AVAILABLE WITH -LC, -GP, OR -FL) (NOT AVAILABLE WITH -100 POS)



NOTES:

1. Ⓢ REPRESENTS A CRITICAL DIMENSION.
2. MINIMUM CONTACT RETENTION: 8 OZ
3. MINIMUM GROUND PLANE RETENTION: 8 OZ
4. PARTS ARE MOLDED TO POSITION.
5. DELETED.
6. MAXIMUM VARIANCE: .002[0.51]. APPLIES TO SIGNAL OR GROUNDS INDEPENDENT OF THE GROUND OR SIGNAL PINS RESPECTIVELY.
7. DIMENSION APPLIES TO CONTACTS & GROUND PLANE.
8. -L PLATING CAN BE SUBSTITUTED FOR -F PLATING, -G PLATED GROUND PLANE CAN BE SUBSTITUTED FOR -F PLATED GROUND PLANE.
9. GROUND PLANE PRESS HEIGHT MUST BE .003 [0.08] LESS THAN THE MAX HEIGHT OR .001 [0.03] GREATER THAN THE MINIMUM HEIGHT OF THE SOCKETS.
10. MINIMUM SUB-SC-05-01-XX RETENTION: 1 LB IN BODY.
11. MAY SUB C-126-01-XXX FOR C-126-21-XXX.
12. NOTE DELETED.
13. FOR -080, -100 POSITIONS USE C-269-11-XXX. DO NOT SUB C-126.
14. DUE TO THE HIGH AMOUNT OF INSERTION FORCE NEEDED, THE -LC OPTION IS NOT COMPATIBLE WITH AUTO PLACEMENT. SAMTEC RECOMMENDS MANUAL PLACEMENT FOR ALL ASSEMBLIES WITH THE -LC OPTION.
15. SIDE WALLS ARE RIBBED AS NECESSARY TO CONTROL BOW.
16. CHECK ONCE PER BANK ALTERNATING SIDES FOR MULTIPLE BANK PARTS.
17. AVAILABLE FOR EXISTING CUSTOMERS ONLY.
18. NOTE DELETED.
19. NOTE DELETED.
20. NOTE DELETED.
21. GROUND PLANE TO BE .001±.001 ABOVE SEATING PLANE (MAX CONTACT COPLANARITY).
22. ORDERS WILL BE PACKAGED ACCORDING TO THE SAMTEC PACKAGING EFFICIENCY STANDARDS (SPES) FOUND ON WWW.SAMTEC.COM.
23. ATTACH LABEL -4X2 TO EACH REEL.
24. TRAYS ARE STANDARD PACKAGING.

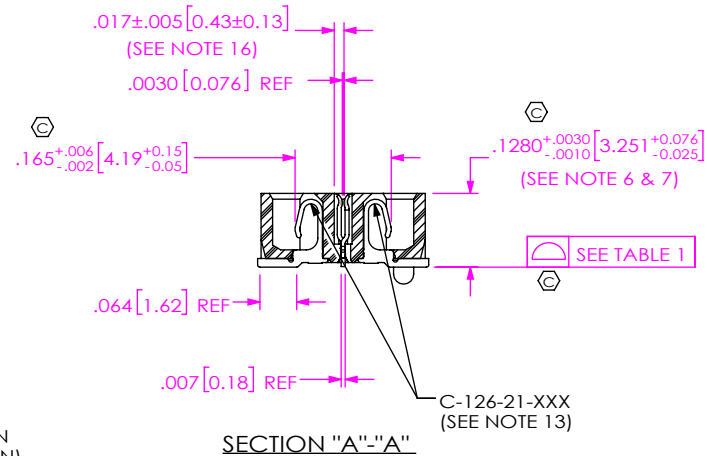


FIG 1
-A: ALIGNMENT PIN OPTION (QSE-060-01-XXX-D-A SHOWN)

F:\DWG\MISC\MKTG\QSE-XXX-01-XXX-D-XXX-XX-X-XX-MKT.SLDDRW

UNLESS OTHERWISE SPECIFIED, DIMENSIONS ARE IN INCHES.
TOLERANCES ARE:
DECIMALS ANGLES
.XX: ±.01[.3]
.XXX: ±.005[.13]
.XXXX: ±.0020[.051]

PROPRIETARY NOTE
THIS DOCUMENT CONTAINS CONFIDENTIAL AND PROPRIETARY INFORMATION AND ALL DESIGN, MANUFACTURING, REPRODUCTION, USE, PATENT RIGHTS AND SALES RIGHTS ARE EXPRESSLY RESERVED BY SAMTEC, INC. THIS DOCUMENT SHALL NOT BE DISCLOSED, IN WHOLE OR PART, TO ANY UNAUTHORIZED PERSON OR ENTITY NOR REPRODUCED, TRANSFERRED OR INCORPORATED IN ANY OTHER PROJECT IN ANY MANNER WITHOUT THE EXPRESS WRITTEN CONSENT OF SAMTEC, INC.



520 PARK EAST BLVD, NEW ALBANY, IN 47150
PHONE: 812-944-6733 FAX: 812-948-5047
e-Mail info@SAMTEC.com code 53322

MATERIAL: DO NOT SCALE DRAWING SHEET SCALE: 1:1.51
INSULATOR: LCP, UL94V-0; COLOR: BLACK
CONTACT: PHOS BRONZE
GROUND PLANE: PHOS BRONZE

DESCRIPTION:
.8mm DOUBLE ROW HS SOCKET ASSEMBLY

DWG. NO. QSE-XXX-01-XXX-D-XXX-XX-X-XX

BY: ERIC M 05/20/1999 SHEET 1 OF 5

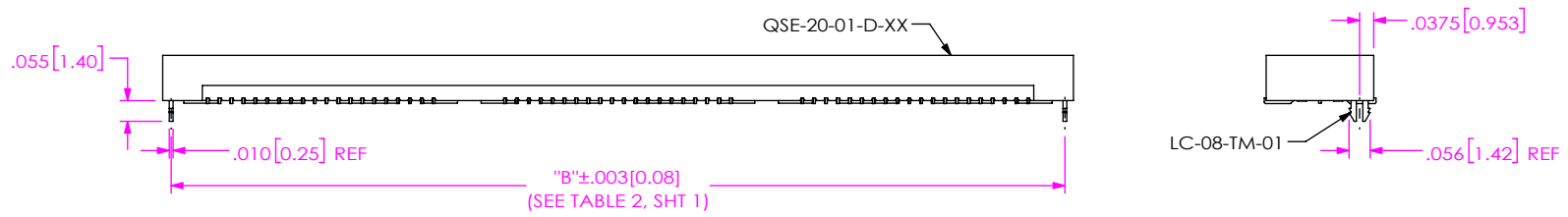


FIG 2
 -LC: LOCKING CLIP OPTION
 (QSE-060-01-XXX-D-LC SHOWN)
 (DIFFERENT AS SHOWN, OTHERWISE SAME AS FIG 1)

TABLE 3

No OF POS	"R"				"S"			
	-LC, -A, -FL	-GP	-RT1	-L	-LC, -A, -FL	-GP	-RT1	-L
-020	.839 [21.31]	1.216 [30.89]	1.438 [36.51]	1.048 [26.61]	.257 [6.53]	.446 [11.32]	.556 [14.13]	.361 [9.18]
-040	1.627 [41.31]	2.004 [50.89]	2.225 [56.52]	1.835 [46.61]	.651 [16.53]	.839 [21.32]	.950 [24.13]	.755 [19.18]
-060	2.417 [61.38]	2.791 [70.89]	3.013 [76.52]	N/A	1.046 [26.56]	1.233 [31.32]	1.344 [34.13]	N/A
*-080	3.204 [81.38]	3.579 [90.89]	3.800 [96.52]	N/A	1.440 [36.56]	1.627 [41.32]	1.738 [44.13]	N/A
*-100	3.991 [101.37]	4.366 [110.90]	N/A	N/A	1.833 [46.56]	2.021 [51.32]	N/A	N/A

(* = SEE NOTE 17)

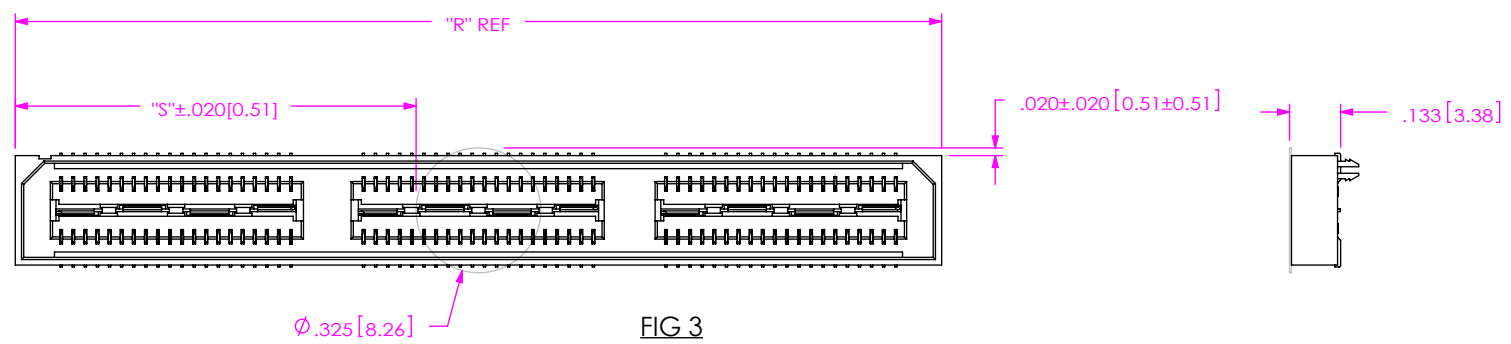



FIG 3
 -K: POLYIMIDE FILM PAD
 (K-DOT-.325-.450-.005)

F:\DWG\MISC\MKTG\QSE-XXX-01-XXX-D-XXX-XX-X-XX-MKT.SLDDRW

<p>PROPRIETARY NOTE</p> <p>THIS DOCUMENT CONTAINS CONFIDENTIAL AND PROPRIETARY INFORMATION AND ALL DESIGN, MANUFACTURING, REPRODUCTION, USE, PATENT RIGHTS AND SALES RIGHTS ARE EXPRESSLY RESERVED BY SAMTEC, INC. THIS DOCUMENT SHALL NOT BE DISCLOSED, IN WHOLE OR PART, TO ANY UNAUTHORIZED PERSON OR ENTITY NOR REPRODUCED, TRANSFERRED OR INCORPORATED IN ANY OTHER PROJECT IN ANY MANNER WITHOUT THE EXPRESS WRITTEN CONSENT OF SAMTEC, INC.</p>		
	<p>520 PARK EAST BLVD, NEW ALBANY, IN 47150 PHONE: 812-944-6733 FAX: 812-948-5047 e-Mail: info@SAMTEC.com code 55322</p>	
	<p>DO NOT SCALE DRAWING</p> <p>SHEET SCALE: 2:1</p>	<p>DESCRIPTION: .8mm DOUBLE ROW HS SOCKET ASSEMBLY</p> <p>DWG. NO. QSE-XXX-01-XXX-D-XXX-XX-X-XX</p>

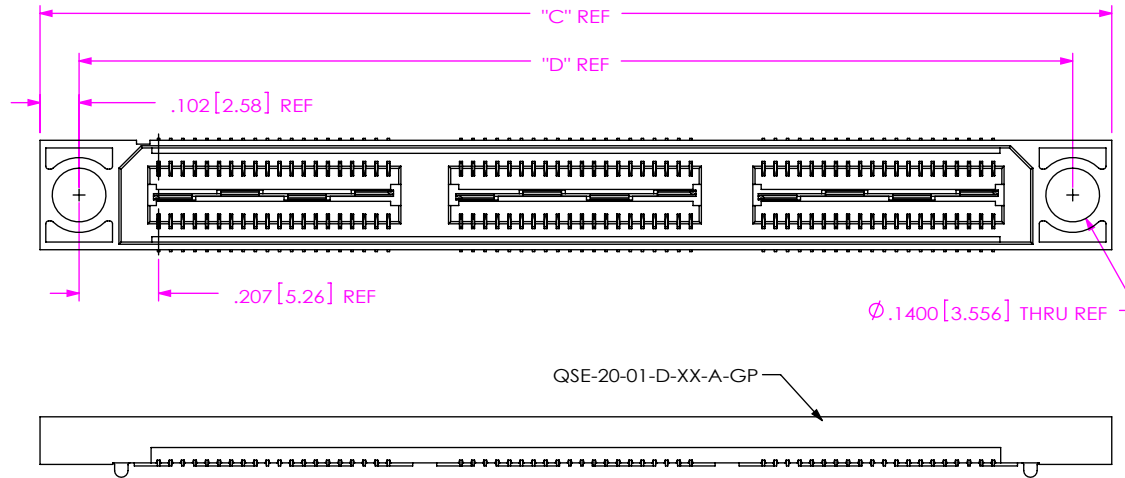
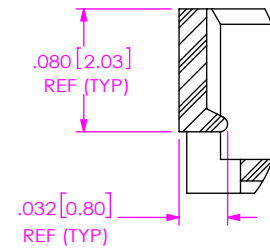
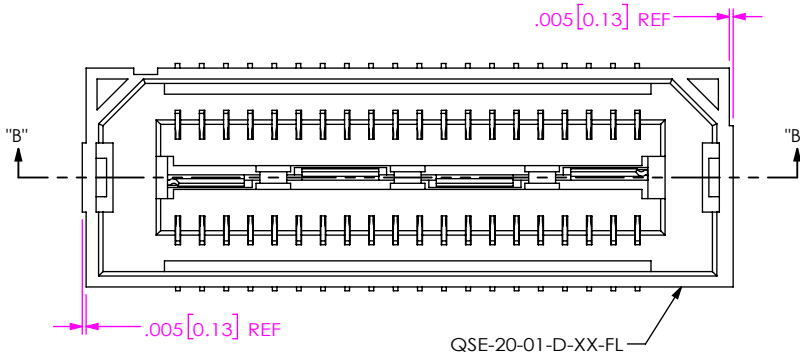


TABLE 4		
POS	"C"	"D"
-020	1.216 [30.89]	1.013 [25.72]
-040	2.004 [50.89]	1.800 [45.72]
-060	2.791 [70.89]	2.588 [65.72]
*-080	3.579 [90.89]	3.375 [85.73]
*-100	4.366 [110.90]	4.163 [105.73]

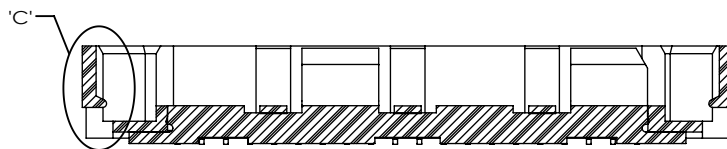
(* = SEE NOTE 17)

FIG 4
 -GP: GUIDE POST OPTION
 (QSE-060-01-XXX-D-A-GP SHOWN)
 (DIFFERENT AS SHOWN, OTHERWISE SAME AS FIG 1)
 (40 POS MAX WITH T & R PACKAGING)



DETAIL 'C'
 SCALE 8 : 1

FIG 5
 -FL: FRICTION LOCKS
 (QSE-020-01-XXX-D-FL SHOWN)
 (DIFFERENT AS SHOWN, OTHERWISE SAME AS FIG 1)
 (NOT AVAILABLE WITH -GP OPTION)



SECTION "B"- "B"
 SCALE 4 : 1

PROPRIETARY NOTE
 THIS DOCUMENT CONTAINS CONFIDENTIAL AND PROPRIETARY INFORMATION AND ALL DESIGN, MANUFACTURING, REPRODUCTION, USE, PATENT RIGHTS AND SALES RIGHTS ARE EXPRESSLY RESERVED BY SAMTEC, INC. THIS DOCUMENT SHALL NOT BE DISCLOSED, IN WHOLE OR PART, TO ANY UNAUTHORIZED PERSON OR ENTITY NOR REPRODUCED, TRANSFERRED OR INCORPORATED IN ANY OTHER PROJECT IN ANY MANNER WITHOUT THE EXPRESS WRITTEN CONSENT OF SAMTEC, INC.



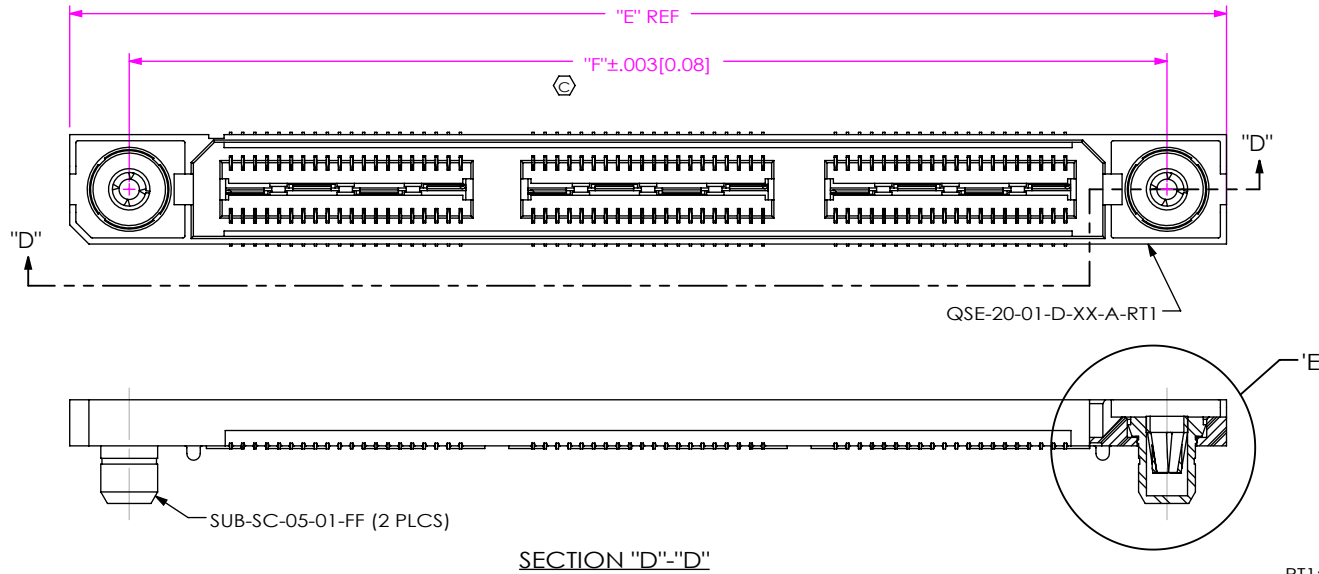
520 PARK EAST BLVD, NEW ALBANY, IN 47150
 PHONE: 812-944-6733 FAX: 812-948-5047
 e-Mail info@SAMTEC.com code 55322

DO NOT SCALE DRAWING

SHEET SCALE: 2:1

DESCRIPTION:
 .8mm DOUBLE ROW HS SOCKET ASSEMBLY
 DWG. NO.
 QSE-XXX-01-XXX-D-XXX-XX-X-XX

BY: ERIC M 05/20/1999 SHEET 3 OF 5



POS	"E"	"F"
-020	1.438 [36.51]	1.129 [28.66]
-040	2.225 [56.52]	1.916 [48.67]
-060	3.013 [76.52]	2.704 [68.67]
*-080	3.800 [96.52]	3.491 [88.67]
*-100	N/A	N/A

(* = SEE NOTE 17)

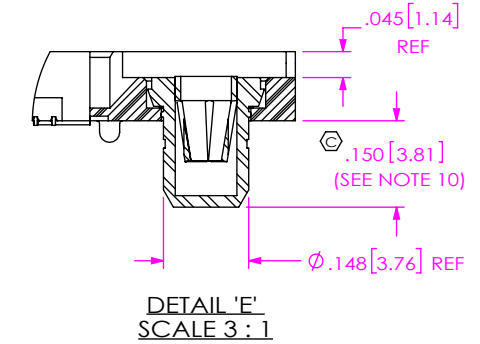
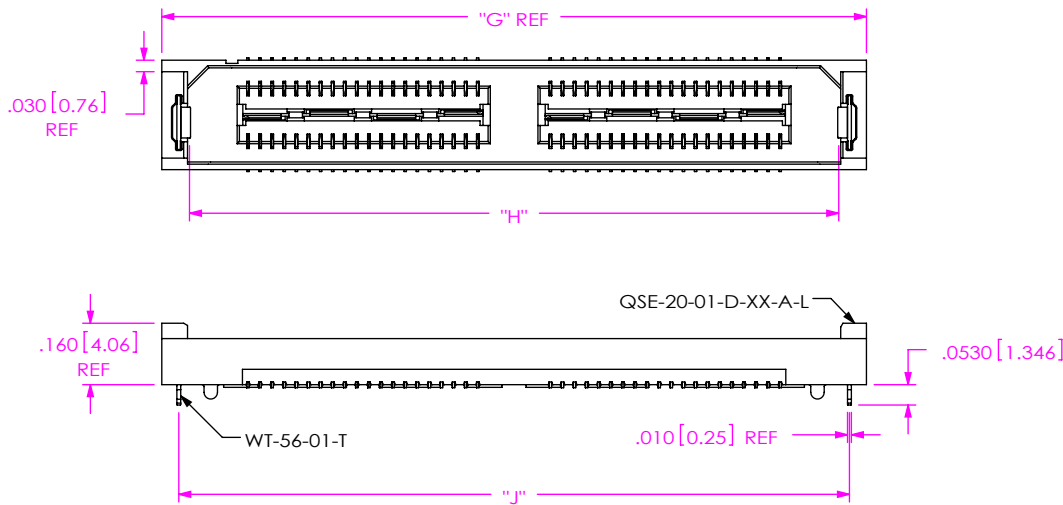


FIG 6
 -RT1: RETENTION OPTION
 (QSE-060-01-XXX-D-A-RT1 SHOWN)
 (DIFFERENT AS SHOWN, OTHERWISE SAME AS FIG 1)
 (MUST USE -A OPTION)
 (NOT AVAILABLE WITH -LC, -GP, OR -FL OPTIONS)
 (NOT AVAILABLE WITH -100 POS)



POS	"G"	"H"	"J"
-020	1.048 [26.61]	.897 [22.78]	.959 [24.36]
-040	1.835 [46.61]	1.684 [42.78]	1.747 [44.36]
-060	N/A	N/A	N/A
*-080	N/A	N/A	N/A
*-100	N/A	N/A	N/A

(* = SEE NOTE 17)

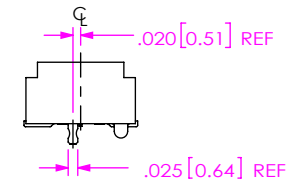


FIG 7
 -L: LATCHING OPTION
 (QSE-040-01-XXX-D-A-L SHOWN)
 (DIFFERENT AS SHOWN, OTHERWISE SAME AS FIG 1)
 (MUST USE -A OPTION) (40 POS MAX)
 (NOT AVAILABLE WITH -LC, -GP, -FL, OR -RT1 OPTIONS)

PROPRIETARY NOTE
 THIS DOCUMENT CONTAINS CONFIDENTIAL AND PROPRIETARY INFORMATION AND ALL DESIGN, MANUFACTURING, REPRODUCTION, USE, PATENT RIGHTS AND SALES RIGHTS ARE EXPRESSLY RESERVED BY SAMTEC, INC. THIS DOCUMENT SHALL NOT BE DISCLOSED, IN WHOLE OR PART, TO ANY UNAUTHORIZED PERSON OR ENTITY NOR REPRODUCED, TRANSFERRED OR INCORPORATED IN ANY OTHER PROJECT IN ANY MANNER WITHOUT THE EXPRESS WRITTEN CONSENT OF SAMTEC, INC.



520 PARK EAST BLVD, NEW ALBANY, IN 47150
 PHONE: 812-944-6733 FAX: 812-948-5047
 e-Mail info@SAMTEC.com code 55322

DO NOT SCALE DRAWING

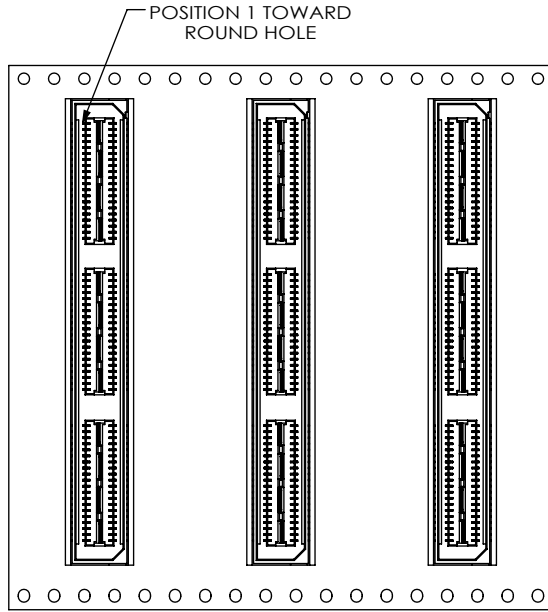
SHEET SCALE: 2:1

DESCRIPTION:
 .8mm DOUBLE ROW HS SOCKET ASSEMBLY

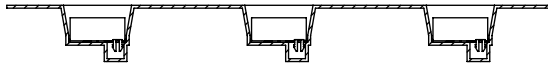
DWG. NO.
 QSE-XXX-01-XXX-D-XXX-XX-X-XX

BY: ERIC M 05/20/1999 SHEET 4 OF 5

FIG 8
 -TR: PACKAGING OPTION
 (QSE-060-01-XXX-D-LC-TR SHOWN)
 (DIFFERENT AS SHOWN, OTHERWISE SAME AS FIG 1)
 (60 POS MAX)
 (40 POS MAX WITH -GP OPTION)



USER DIRECTION OF UNREELING →
 POCKET NOT DETAILED



PROPRIETARY NOTE
 THIS DOCUMENT CONTAINS CONFIDENTIAL AND PROPRIETARY INFORMATION AND ALL DESIGN, MANUFACTURING, REPRODUCTION, USE, PATENT RIGHTS AND SALES RIGHTS ARE EXPRESSLY RESERVED BY SAMTEC, INC. THIS DOCUMENT SHALL NOT BE DISCLOSED, IN WHOLE OR PART, TO ANY UNAUTHORIZED PERSON OR ENTITY NOR REPRODUCED, TRANSFERRED OR INCORPORATED IN ANY OTHER PROJECT IN ANY MANNER WITHOUT THE EXPRESS WRITTEN CONSENT OF SAMTEC, INC.



520 PARK EAST BLVD, NEW ALBANY, IN 47150
 PHONE: 812-944-6733 FAX: 812-948-5047
 e-Mail info@SAMTEC.com code 55322

DO NOT SCALE DRAWING

SHEET SCALE: 2:1

DESCRIPTION: .8mm DOUBLE ROW HS SOCKET ASSEMBLY

DWG. NO. QSE-XXX-01-XXX-D-XXX-XX-X-XX

BY: ERIC M 05/20/1999 SHEET 5 OF 5