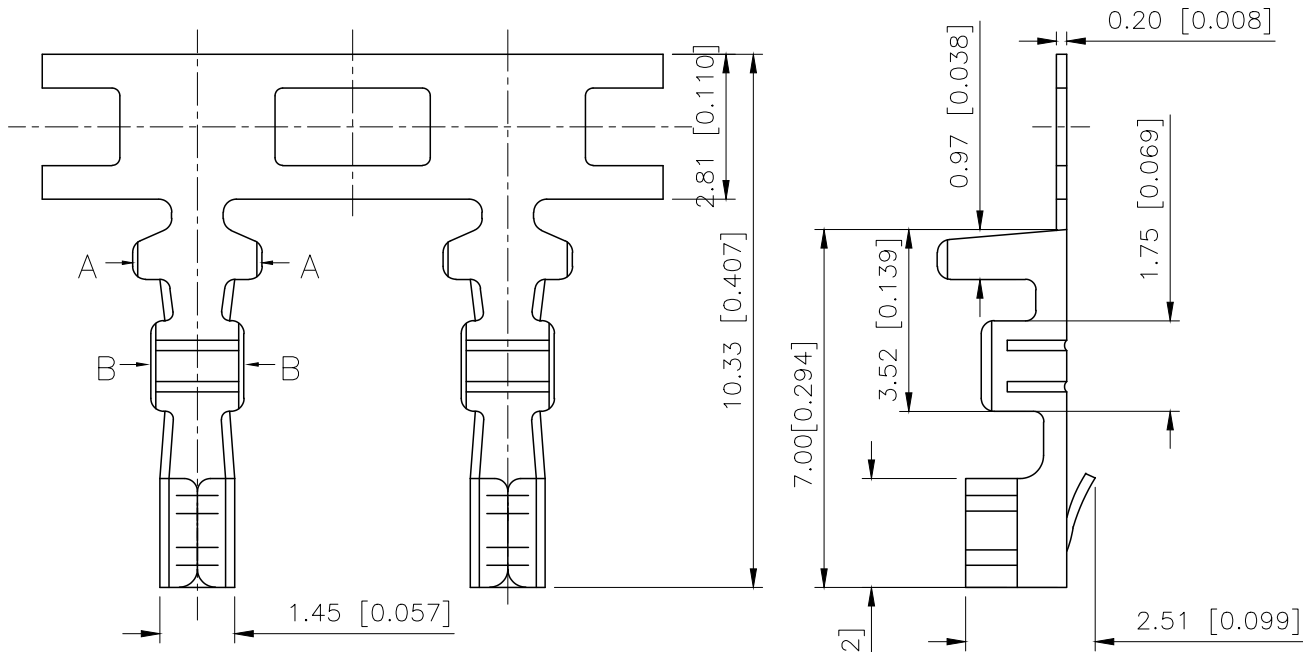


REVISIONS					
REV.	ECN NO.	LOCATION	DESCRIPTION	DATE	DESIGN
A0	N/A		INITIAL RELEASE	/	/
A1	N/A		图面升级整理图面	2024.9.12	阿树

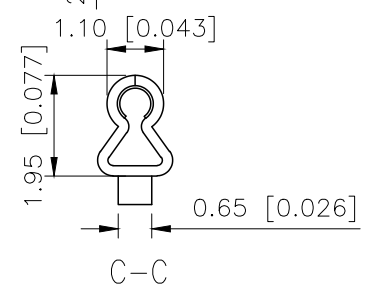
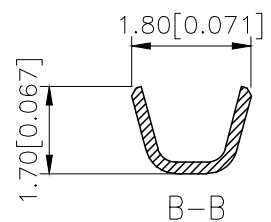
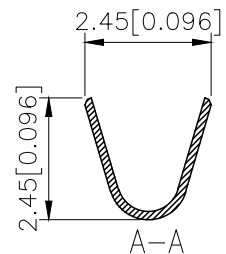


- SPECIFICATIONS
- Voltage rating: 250V AC/DC
  - Current rating: 3A AC/DC
  - Withstanding Voltage: 1000V AC/minute
  - Temperature range: -40°C ~ +125°C
  - Insulation resistance:  $\geq 1000M\Omega$
  - Contact resistance:  $\leq 20m\Omega$

PART NO.:

X2564 T-P SN  
① ② ③ ④

- ① Series No
- ② Category: T-Terminal
- ③ Material: P-Phosphor bronze
- ④ Plating style: SN-Bright tin plating



X2564T-BSN	Brass	AWG#22-28	1.90mm(Max)	Stamping Before Plating: 30u" Ni; 70u" sn	X2564H
X2564T-BSNB					
X2564T-PSNB	Phosphor Bronze				
X2564T-PSN					
PART NO	Material	Wire Range	Insulation O.D.	Finish	Suitable XKB Terminal

AuGLAR	$\pm 5^\circ$
X.	$\pm 0.40$
X.x	$\pm 0.30$
X.xx	$\pm 0.20$
X.xxx	$\pm 0.15$
UNSPECIFIED TOLERANCES	



DESIGN	阿树	VIEW:		MODEL TYPE:	2.50mm Crimp Style Connectors
CHECKED		UNIT:	mm/in	PART NO.:	X2564T-PSN
APPROVED		SIZE:	A4	DWG NO.:	