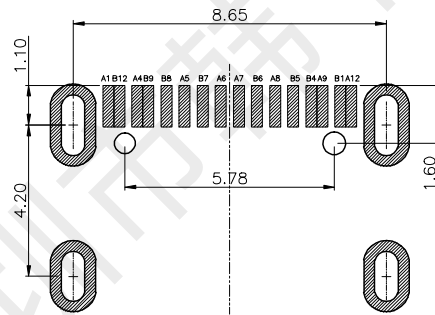
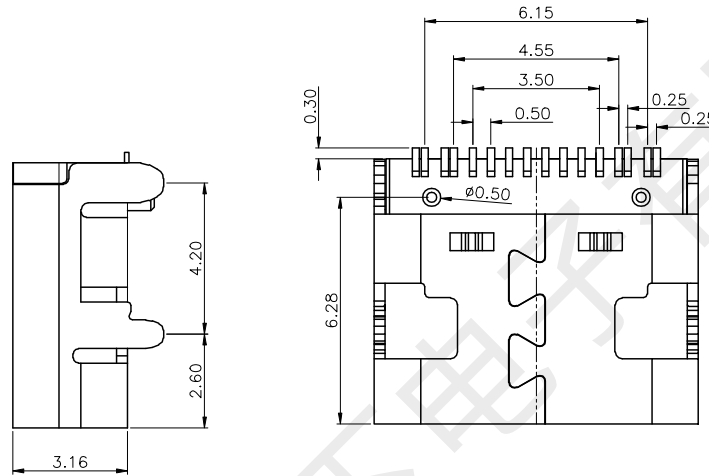


A1	GND	B12	GND
A4	VBUS	B9	VBUS
A5	CCI	B8	SBU2
A6	DPI	B7	DN2
A7	DNI	B6	DP2
A8	SBU1	B5	CC2
A9	VBUS	B4	VBUS
A12	GND	B12	GND
PIN	SIGNAL NAME	PIN	SIGNAL NAME



PCB LAYOUT(Recommend)
(General Tolerance:±0.05)

规格说明 Specifications:

1. 电气特性 Electrical:

额定电压(Rated voltage): 20V DC

额定电流(Rated current): 5A VBUS引脚;

1.25A用于GND引脚, 其他引脚为0.25A.

接触电阻(Contact resistance): 40mΩ Max

测试条件:20mv, 100mA下测量.

绝缘电阻(Insulation resistance): 100MΩ Min

耐电压(Withstand Voltage): 100V AC

2. 机械性能 Mechanical:

插入力(Mate force): 0.5-2.0Kg

拔出力(Unmate force): 0.6-2.0Kg

插拔次数(Durability): 10000 Cycles.

3. 材料 Material:

胶芯(Housing): LCP UL94 V-0

端子(Contact): C7025, T=0.2mm; 镍底, 镀金

外壳(Shell): 不锈钢201-H 表面镀镍

4. 温度范围(Temperature Range): -30°C to +80°C.

UNLESS OTHERWISE
SPECIFIED TOLERANCES



深圳市韩下电子有限公司

DECIMALS:

ANGLES

TITLE.

TYPE-C 16Pin四脚插板SMT 073

X. ±0.20

X'. ±2'

Drwn.

李春风

PART NO.

HX TYPE-C 16P 3MD 5A

X.X ±0.15

X.X' ±1'

Checked.

钟华华

SCALE.

1:8

UNIT.

mm

PROJ.



X.XX ±0.10

X.XX' ±0.5'

Approved.

罗孝金

SIZE.

A4

SHEET.

1 of 1

REV.

A

X.XXX ±0.05

CUSTOMER COPY