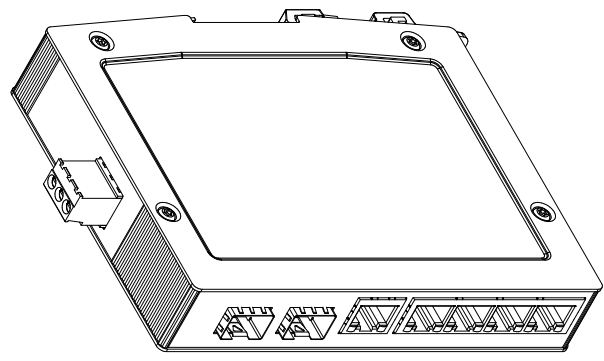
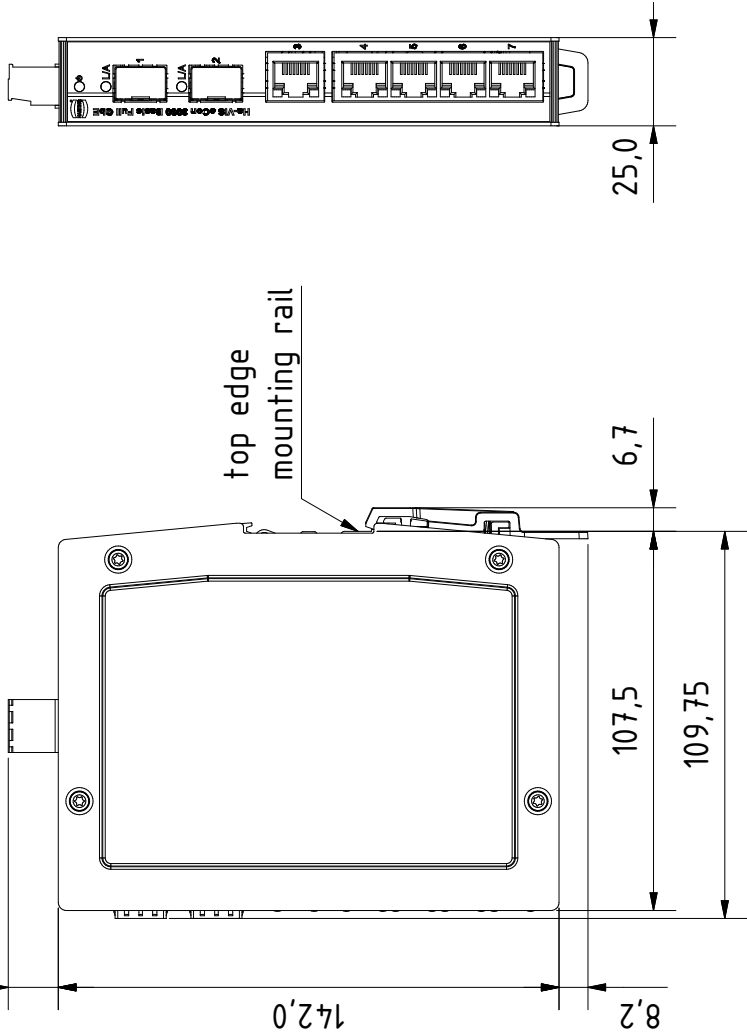


1 2 3 4 5 6



for mounting rail acc.to DIN EN 60715

	All rights reserved Department EL PD - DE	All Dimensions in mm Original Size DIN A4	Scale 1:2	Free size tol.	Ref. Sub.
	HARTING Electric GmbH & Co. KG D-32339 Espelkamp	Created by STK	Inspected by KLA	Standardisation TIE	Date 2014-01-20
Title Ha-VIS eCon 3052GBT-AC			State Final Release		Doc-Key / ECM-Nr.
Type TB		Number 24034052300		Rev. A	Page 1/1