

# VS-PPC/ME-PPC/ME-93B-LI/5,0 - Network cable



1416165

<https://www.phoenixcontact.com/us/products/1416165>

Please be informed that the data shown in this PDF document is generated from our online catalog. Please find the complete data in the user documentation. Our general terms of use for downloads are valid.



Assembled PROFINET cable, CAT5e, shielded, star quad, AWG 22 stranded (7-wire), RAL 6018 (yellow-green), RJ45 plug/IP67 push-pull metal housing on RJ45 plug/IP67 push-pull metal housing, line, length: 5 m

## Commercial data

Item number	1416165
Packing unit	1 pc
Minimum order quantity	1 pc
Product key	ABNABA
Catalog page	Page 306 (PC-2011)
GTIN	4046356474252
Weight per piece (including packing)	481 g
Weight per piece (excluding packing)	466.7 g
Country of origin	PL

1416165

<https://www.phoenixcontact.com/us/products/1416165>

## Technical data

### Product properties

Product type	Data cable preassembled
Sensor type	PROFINET
Number of positions	4
Connection profile	RJ45 8(4)
No. of cable outlets	1
Shielded	yes
Cable outlet	straight

### Insulation characteristics

Overvoltage category	I
Degree of pollution	2

### Electrical properties

Transmission medium	Copper
Transmission characteristics (category)	CAT5 (IEC 11801:2002)
Transmission speed	100 Mbps
Wave impedance	100 Ω

### Mechanical properties

#### Mechanical data

Insertion/withdrawal cycles	≥ 250
-----------------------------	-------

### Material specifications

Flammability rating according to UL 94	V0
Outer sheath, material	PVC
Conductor material	Tin-plated Cu litz wires

### Connector

#### Connection 1

Type	Plug straight RJ45
Locking type	Push Pull
Material	Metal
Degree of protection	IP67

#### Connection 2

Type	Plug straight RJ45
Locking type	Push Pull
Material	Metal
Degree of protection	IP67

### Cable/line

# VS-PPC/ME-PPC/ME-93B-LI/5,0 - Network cable




1416165

<https://www.phoenixcontact.com/us/products/1416165>

Cable length	5.00 m
--------------	--------

## PROFINET PVC stranded CAT5 [93B]

Dimensional drawing	
Shielded	yes
UL AWM Style	21694
Cable weight	67 kg/km
Cable type	PROFINET PVC stranded CAT5
Short symbol	2YY(ST)CY
Cable type (abbreviation)	93B
Signal type/category	PROFINET CAT5 (IEC 11801), 100 Mbps EtherCAT® CAT5 (IEC 11801), 100 Mbps
Cable structure	1x4xAWG22/7, SF/TQ
External cable diameter	6.50 mm ±0.2 mm
Outer sheath, material	PVC
External sheath, color	green RAL 6018
Thickness, outer sheath	approx. 0.90 mm
Material, inner sheath	PVC
Conductor material	Tin-plated Cu litz wires
Conductor structure signal line	7x 0.25 mm
AWG signal line	22
Conductor cross section	4x 0.34 mm <sup>2</sup>
Material wire insulation	PE
Wire diameter incl. insulation	1.55 mm
Single wire, color	white, yellow, blue, orange
Overall twist	Star quad
Shielding	Aluminum-coated foil, tinned copper braided shield
Optical shield covering	85 %
Nominal voltage, cable	600 V
Test voltage Core/Core	2000 V (50 Hz, 1 min.)
Test voltage Core/Shield	2000.00 V (50 Hz, 1 min.)
Cable insulation resistance	≥ 500 MΩ*km
Coupling resistance	≤ 20.00 mΩ/m (at 10 MHz)
Wave impedance	100 Ω ±15 Ω (at 100 MHz)
Loop resistance	≤ 120.00 Ω/km
Signal runtime	5.3 ns/m
Signal speed	0.66 c

# VS-PPC/ME-PPC/ME-93B-LI/5,0 - Network cable



1416165

<https://www.phoenixcontact.com/us/products/1416165>

Minimum bending radius, fixed installation	3 x D
Minimum bending radius, flexible installation	7 x D
Near end crosstalk attenuation (NEXT)	80 dB (with 1 MHz)
	76 dB (at 4 MHz)
	70 dB (at 10 MHz)
	65 dB (at 16 MHz)
	63 dB (at 20 MHz)
	60 dB (at 31.25 MHz)
	55 dB (at 62.5 MHz)
	50 dB (at 100 MHz)
Resistance to oil	Resistant to oil to a limited extent
Flame resistance	according to UL 1685 (CSA FT 4)
Other resistance	UV resistant (According to UL 1581, Section 1200)
Ambient temperature (operation)	-40 °C ... 70 °C (Cable, flexible installation)
	-40 °C ... 70 °C (cable, fixed installation)

## Environmental and real-life conditions

### Ambient conditions

Degree of protection	IP65
	IP67
	IP65/IP67

## Standards and regulations

Standards/specifications	IEC PAS 61076-3-117
--------------------------	---------------------

# VS-PPC/ME-PPC/ME-93B-LI/5,0 - Network cable

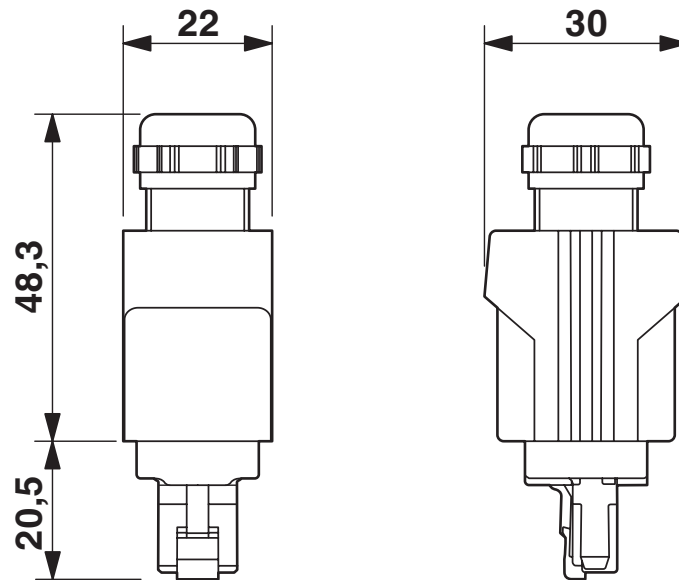


1416165

<https://www.phoenixcontact.com/us/products/1416165>

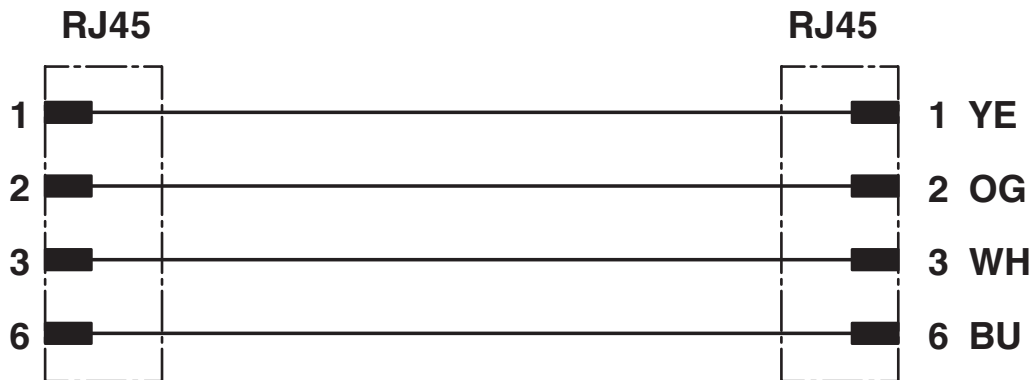
## Drawings

Dimensional drawing



Push-pull RJ45 connector IP65/67

Circuit diagram



# VS-PPC/ME-PPC/ME-93B-LI/5,0 - Network cable



1416165

<https://www.phoenixcontact.com/us/products/1416165>

## Approvals

To download certificates, visit the product detail page: <https://www.phoenixcontact.com/us/products/1416165>



**EAC**

Approval ID: 19060508

# VS-PPC/ME-PPC/ME-93B-LI/5,0 - Network cable



1416165

<https://www.phoenixcontact.com/us/products/1416165>

## Classifications

### ECLASS

ECLASS-11.0	27060307
ECLASS-12.0	27060307
ECLASS-13.0	27060307

### ETIM

ETIM 9.0	EC001855
----------	----------

### UNSPSC

UNSPSC 21.0	26121600
-------------	----------

# VS-PPC/ME-PPC/ME-93B-LI/5,0 - Network cable



1416165

<https://www.phoenixcontact.com/us/products/1416165>

## Environmental product compliance

### EU RoHS

Fulfills EU RoHS substance requirements	Yes, No exemptions
---	--------------------

### China RoHS

Environment friendly use period (EFUP)	EFUP-E
	No hazardous substances above the limits

### EU REACH SVHC

REACH candidate substance (CAS No.)	6,6'-di-tert-butyl-2,2'-methylenedi-p-cresol(CAS: 119-47-1)
SCIP	384d79d2-0071-42d0-9b70-b50d20807996

Phoenix Contact 2024 © - all rights reserved

<https://www.phoenixcontact.com>

Phoenix Contact USA  
586 Fulling Mill Road  
Middletown, PA 17057, United States  
(+717) 944-1300  
[info@phoenixcon.com](mailto:info@phoenixcon.com)