



USB 2.0 TYPE A

MIL-DTL-38999 Series III Type Connectors



233-340 Coupler with Accessory Threads and USB Male-to-Female (Plug) or Female-to-Female (Receptacle)



Plug Front View



Square Flange Receptacle Front View

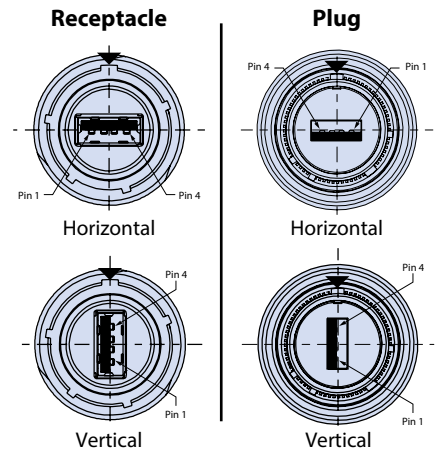


Jam Nut Receptacle Front View

How to Order	
Sample Part Number	233-340 NF 00 -15 2 A A N H T
Basic Number	233-340
Finish	See Material and Finish table
Connector Style ¹	See Connector Style table
Shell Size	15
USB Performance	2 = USB 2.0
USB Front Interface	A = Type A
USB Back Interface	A = Type A
Alternate Key Position ¹	A, B, C, D, E, N = Normal per MIL-DTL-38999
USB Orientation	H = Horizontal V = Vertical
Shrink Boot	T = Part No. 770-028 (Omit for None)

Connector Style	
G6	Plug
07	Rear panel mount, jam nut receptacle
00	Wall mount receptacle with slotted holes ²
D0	Wall mount receptacle with round holes
CM	Wall mount receptacle with metric clinch nuts

USB Orientation Options (Partial Views Shown)



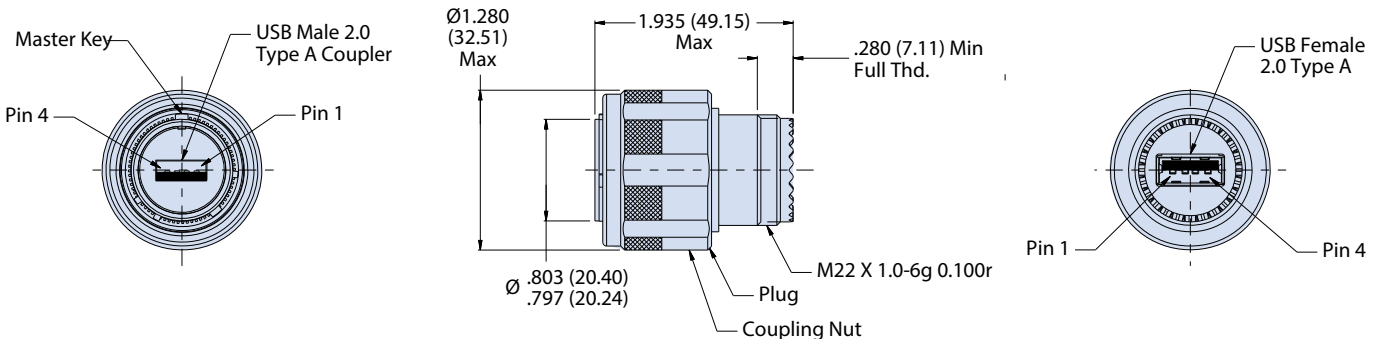
▼ = Master Keyway (receptacle) or Key (plug)

Material and Finish	
NF	Aluminum/Cadmium, Olive Drab
M	Aluminum/Electroless Nickel
MT	Alumimun/Nickel PTFE
ZR	Aluminum/Black Zinc-Nickel

All external dimensions, features, etc. compliant with D38999/20, /24, &/26. Consult factory for additional information.

USB 2.0 Wiring				
Pin	Name	Cable Color (USB)	Description	Recommended Wire Sizes (AWG)
1	(V Bus)	Red	+5 V	22
2	(D-)	White	Data -	28
3	(D+)	Green	Data +	28
4	(GND)	Black	Ground	22

G6 - PLUG WITH ACCESSORY THREADS





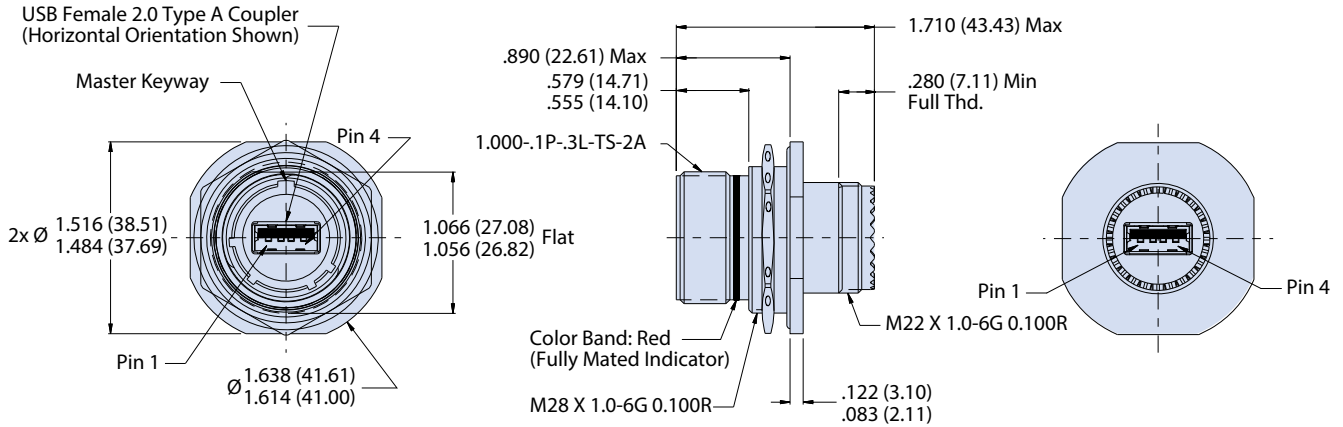
USB 2.0 TYPE A

MIL-DTL-38999 Series III Type Connectors



233-340 Coupler with Accessory Threads and USB Male-to-Female (Plug) or Female-to-Female (Receptacle)

07 - REAR PANEL MOUNT, JAM NUT RECEPTACLE WITH ACCESSORY THREADS

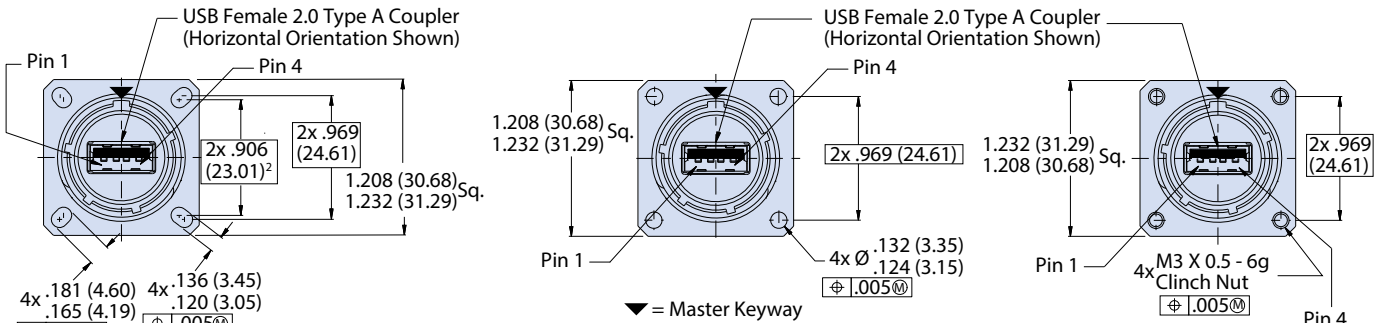


00, D0 AND CM - WALL MOUNT RECEPTACLES WITH ACCESSORY THREADS

00 - Slotted Hole Receptacle Face View

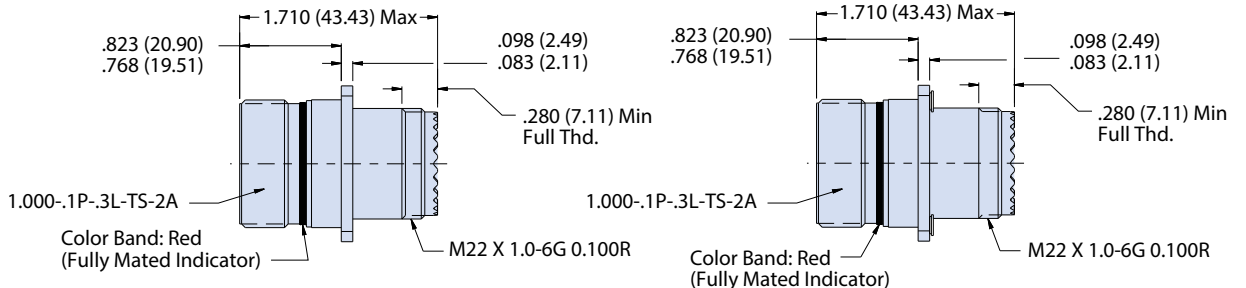
D0 - Round Hole Receptacle Face View

CM - Clinch Hole Receptacle Face View



00 and D0 - Receptacle Side View

CM - Receptacle Side View



NOTES

- See Section A for alternate key positions, panel cutout dimensions
- Connector style 00 with slotted holes is front panel mount only
- Meets IP67 in unmated condition, IP68 mated
- Material and finish
 - Shell, jam nut: al alloy
 - Insulators: high grade rigid dielectric/n.a.
- Contacts: copper alloy, gold plated
- Seals: silicone based elastomer
- USB (shell/contacts): copper alloy
- Dielectric: hi-temp thermoplastic PA9T UL94V-0
- Hardware: stainless steel /passivated

Mouser Electronics

Authorized Distributor

Click to View Pricing, Inventory, Delivery & Lifecycle Information:

[Glenair:](#)

[233-340NFG6-152AANH](#) [233-340NF00-152AANH](#) [233-340NFG6-152AANHT](#)