



Application Tooling > Insertion & Extraction Tools



Insertion & Extraction Tool Type: **Contact Extraction**

Insertion & Extraction Tool Application: **Contact-to-Housing**

## Features

### Product Type Features

Insertion & Extraction Tool Type	Contact Extraction
Insertion & Extraction Tool Application	Contact-to-Housing

## Product Compliance

[For compliance documentation, visit the product page on TE.com>](#)

EU RoHS Directive 2011/65/EU	Compliant
EU ELV Directive 2000/53/EC	Out of Scope
China RoHS 2 Directive MIIT Order No 32, 2016	No Restricted Materials Above Threshold
EU REACH Regulation (EC) No. 1907/2006	Current ECHA Candidate List: JUNE 2024 (241) Candidate List Declared Against: JAN 2024 (240) Does not contain REACH SVHC
Halogen Content	Low Halogen - Br, Cl, F, I < 900 ppm per homogenous material. Also BFR/CFR/PVC Free
Solder Process Capability	Not reviewed for solder process capability

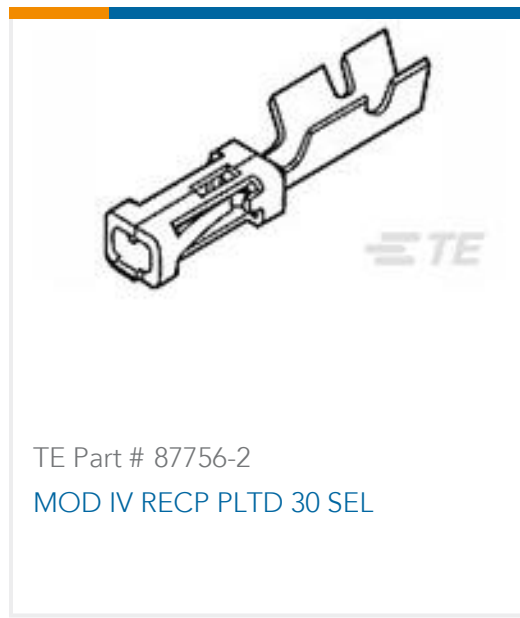
### Product Compliance Disclaimer

This information is provided based on reasonable inquiry of our suppliers and represents our current actual knowledge based on the information they provided. This information is subject to change. The part numbers that TE has identified as EU RoHS compliant have a maximum concentration of 0.1% by weight in homogenous materials for lead, hexavalent chromium, mercury, PBB, PBDE, DBP, BBP, DEHP, DIBP, and 0.01% for cadmium, or qualify for an exemption to these limits as defined in the Annexes of Directive 2011/65/EU (RoHS2). Finished electrical and electronic equipment products will be CE marked as required by Directive 2011/65/EU. Components may not be CE marked. Additionally, the part numbers that TE has identified as EU ELV compliant have a maximum concentration of 0.1% by weight in homogenous materials for lead, hexavalent chromium, and mercury, and 0.01% for cadmium, or qualify for an exemption to these limits as defined in the Annexes of Directive 2000/53/EC (ELV). Regarding the REACH Regulation, the information TE provides

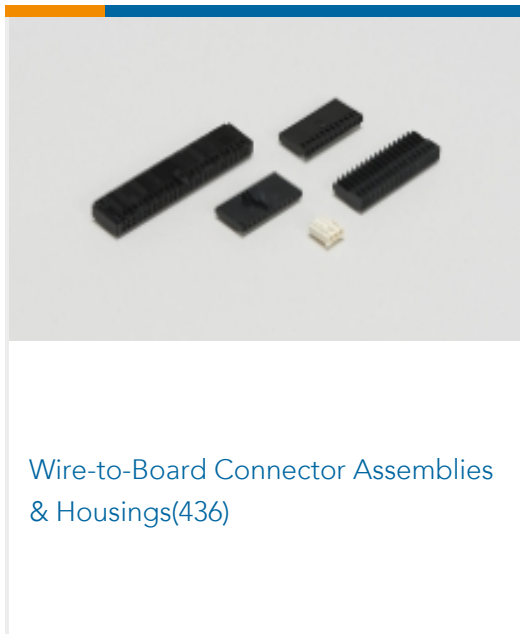
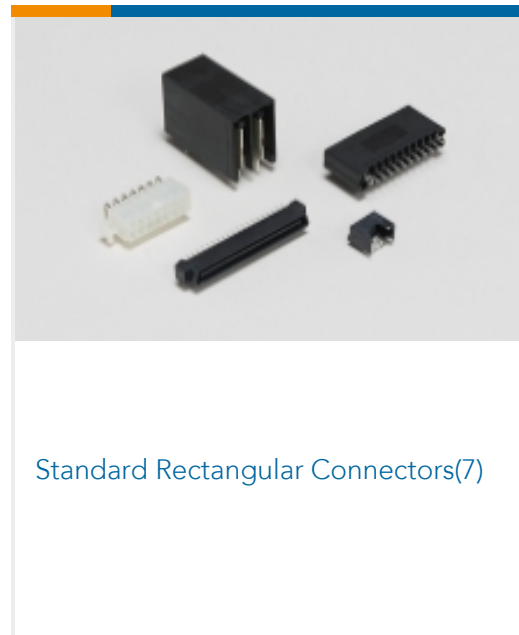
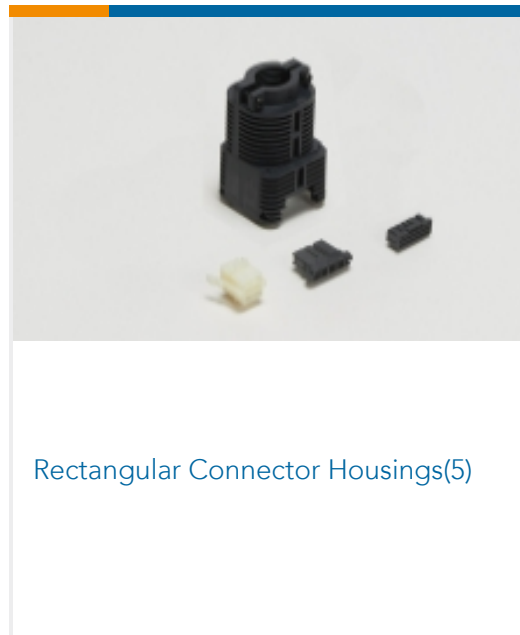
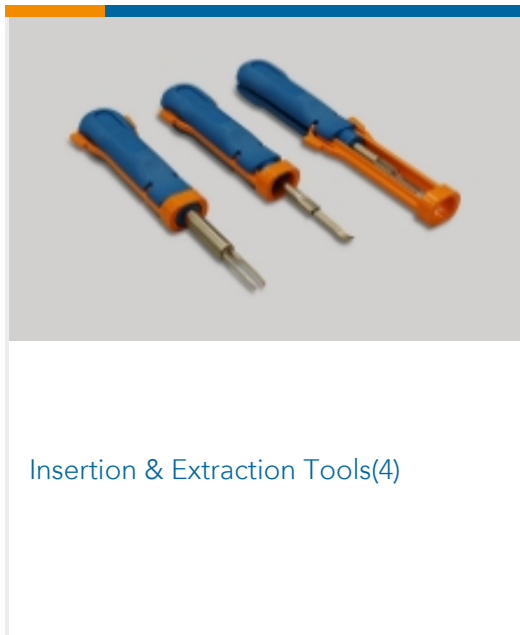
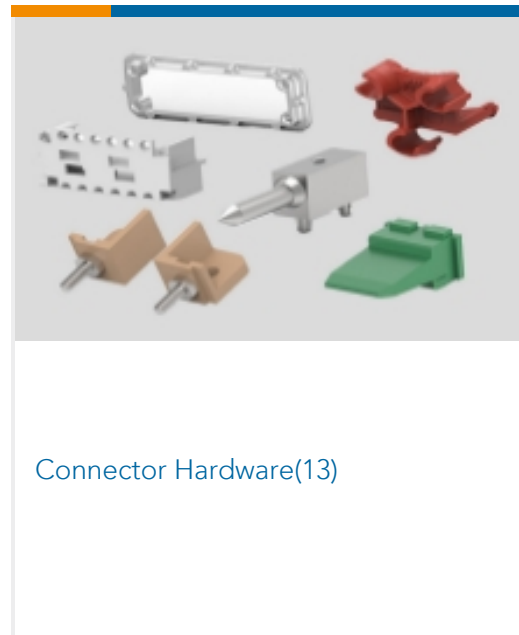
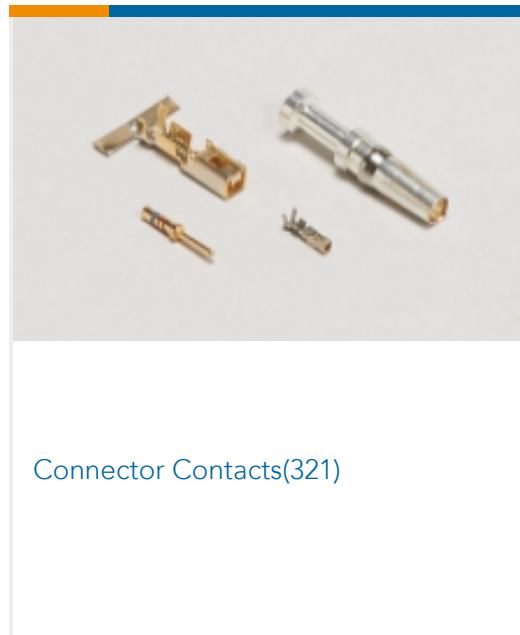
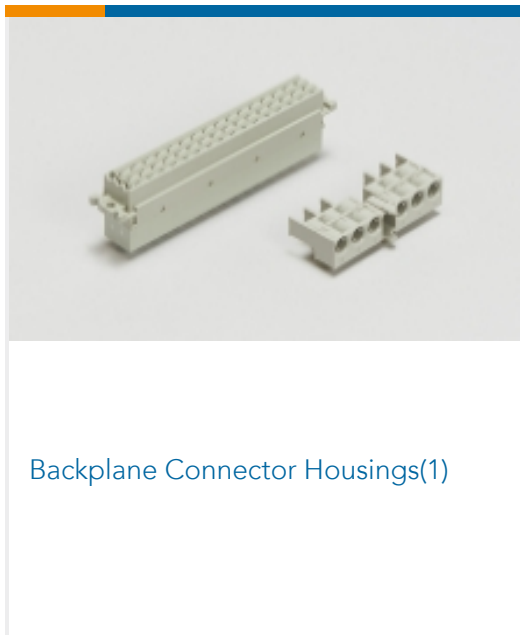
on SVHC in articles for this part number is based on the latest European Chemicals Agency (ECHA) 'Guidance on requirements for substances in articles' posted at this URL: <https://echa.europa.eu/guidance-documents/guidance-on-reach>

## Compatible Parts

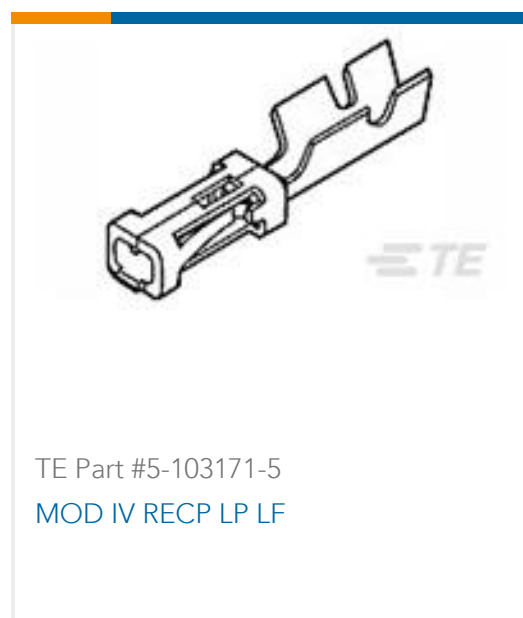
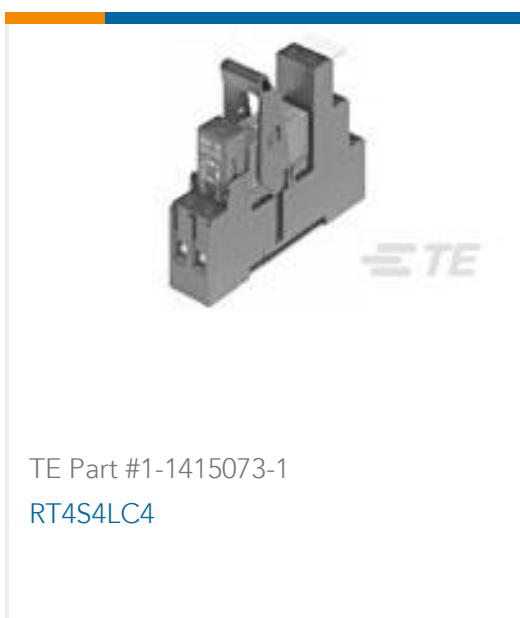
 <p>TE Part # 102128-1 MOD V RECP LP</p>	 <p>TE Part # 6-102316-4 MOD IV RECP LP LF</p>	 <p>TE Part # 86016-3 MOD IV RECP LP</p>	 <p>TE Part # 5-103171-5 MOD IV RECP LP LF</p>
 <p>TE Part # 86016-2 MOD IV RECP LP</p>	 <p>TE Part # 1-87523-6 MOD IV RECP LP</p>	 <p>TE Part # 87523-6 MOD IV RECP LP</p>	 <p>TE Part # 1-87309-3 MOD V RECP LP</p>
 <p>TE Part # 87756-7 MOD IV RECP LP</p>	 <p>TE Part # 6-87756-6 MOD IV RECP LP LF</p>	 <p>TE Part # 87523-4 MOD IV RECP PLTD 15 SEL</p>	 <p>TE Part # 102095-2 MOD IV PIN PLTD 15 SEL</p>
 <p>TE Part # 5-102095-4 MOD IV PIN PLTD SN LF</p>	 <p>TE Part # 87666-2 MOD IV RECP PLTD 30 SEL</p>	 <p>TE Part # 1-87523-8 MOD IV RECP PLTD 30 DPLX</p>	 <p>TE Part # 6-87756-7 MOD IV REC STP INT'L SPEC REEL</p>

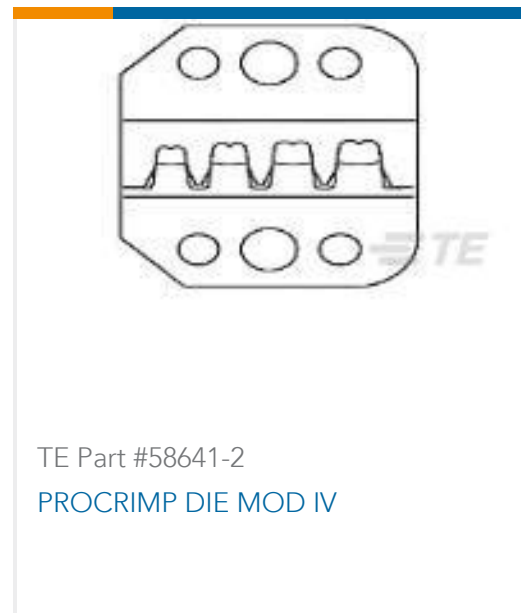


### Also in the Series | AMPMODU IV/V



### Customers Also Bought





## Documents

### Instruction Sheets

[Instruction Sheet \(U.S.\)](#)

English