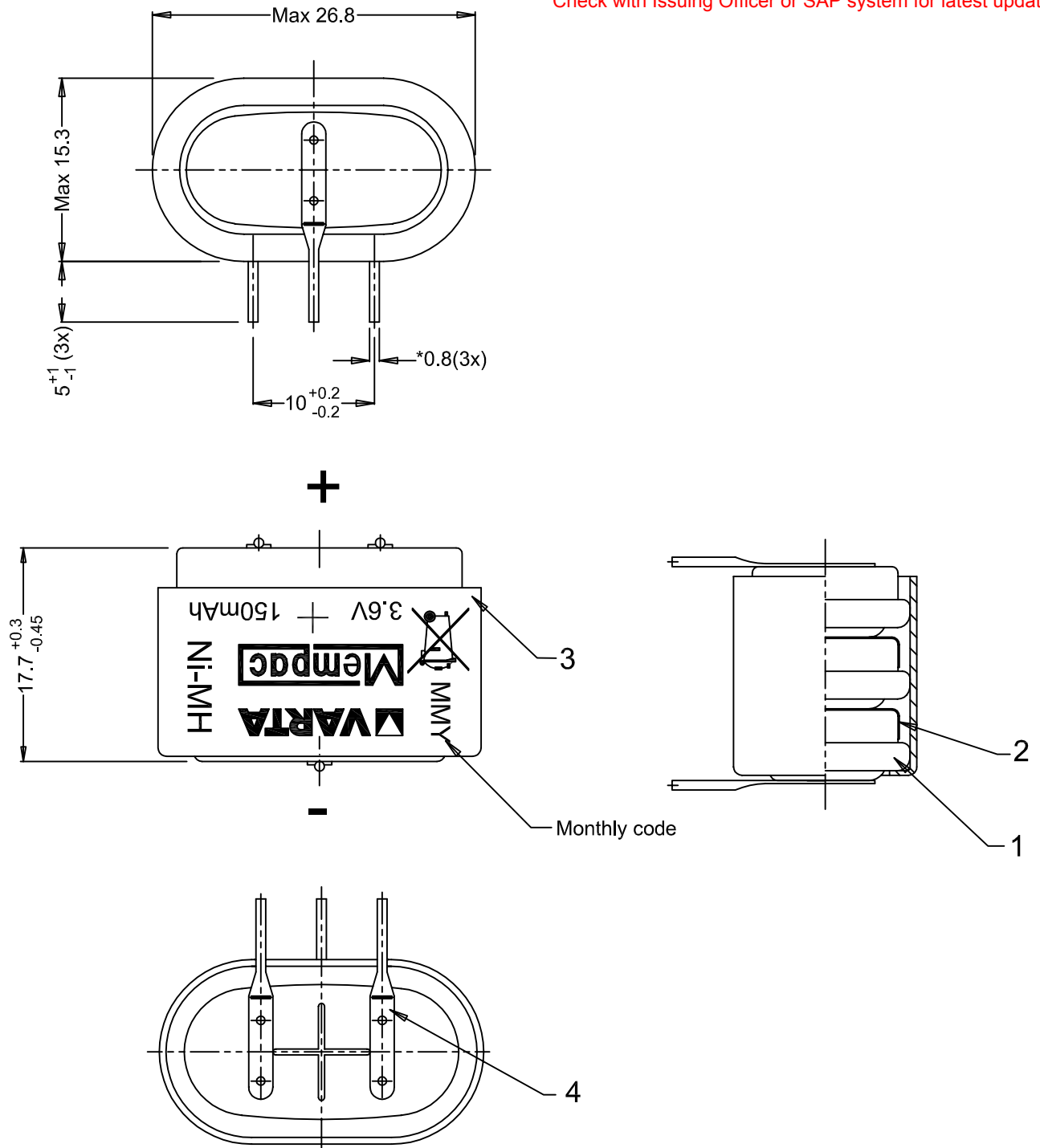


This is a controlled document.  
 Hardcopy to be endorsed by authorised person.  
 Check with Issuing Officer or SAP system for latest update.



Note: \*Dimensions for reference only

Approx. wt : 15 g

No	AO No	Revisions	1	Date	Name
4	11-R263	Change date code format from Q3 (QQY) to M3 (MMY)		2011-12-30	TitisWS
3	R218/08	Add cross wheeled bin		2008-04-17	Syamsul
2	R001/04	Change code from 4 digit to 3 digit		2004-01-02	Tutik
1	R36/03	Terminal pin change to use Flatten model		2002-08-22	TitisWS

Projection:		Material: Refer to part list no: 063706		Description: 3/V150H battery with casing & terminal pin	
Dimensions in mm	Prepared & Checked	Verified & Approved	Dwg. No: 063706	4	04
Tolerance: As specified	2001-01-31	Yeni	VKB Order No: 55615 603 940		
Scale: 2 : 1					

Rights reserved to make technical changes, as a result of further development, without notice. This drawing is the property of VARTA Microbattery and must not be copied or disclosed to a third party without the written consent of VARTA Microbattery.

