

[Find by Feature](#)[Browse by Category](#)[Share](#)[Search →](#)

Enter part number or keyword

[Search Results \(0\)](#)[Search Options](#)

Select a product type to narrow your search:

Results with your selections: --

Family ▾

Cavities ▾

Gender ▾

Sealed ▾

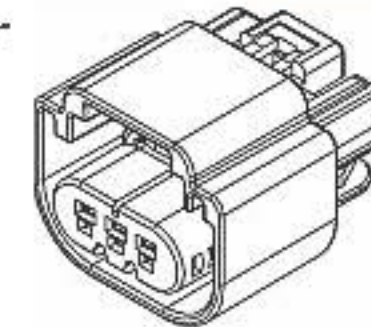
Terminal(s) blade size [mm] ▾

Product Segment ▾

Application ▾

[Clear](#)[Search →](#)

3 Way Brown GT 150 Sealed Female Connector Assembly, Max Current 15 amps

Part #13511132[Question about this product?](#)[Attributes](#)[Documents \(7\)](#)[Related Products \(23\)](#)

Part #:	13511132
Description:	3 Way Brown GT 150 Sealed Female Connector Assembly, Max Current 15 amps
Product Type:	Connector
Status:	Active
Family:	GT
Series:	1.5
Cavities:	3
Terminal(s) blade size [mm]:	1.5
Sealed:	Sealed
Gender:	Female
Temperature range [°C]:	-40 to 125
Material:	PBT
Weight [g]:	8.77
Color:	Brown
ELV compliant:	Yes
RoHs compliant:	Yes