

Accessory data sheet

Snap-in IP67

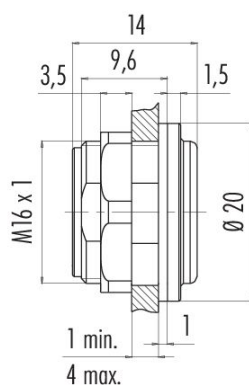
Product description 08 2629 000 001 - Snap-In Adapter, unshielded, screwable from the front

Part no.

Illustration



Scale drawing



You can find the component part drawing and assembly instructions on the next page.

Technical data

General features

Part no.	08 2629 000 001
Connector design	Adapter
Version	Adapter
Additional information	screwable from the front
Weight (g)	4.02
Customs tariff number	85366990
Country of Origin	DE

Electrical parameters

Pollution degree	2
EMC compliance	unshielded

Material

Contact body material	PA (UL94 V-0)
REACH SVHC	CAS 7439-92-1 (Lead)
SCIP number	afa3e37b-2646-4be0-8d97-706c022b4b3b

Classifications

eCl@ss 11.1	27-44-02-08
ETIM 9.0	EC002638

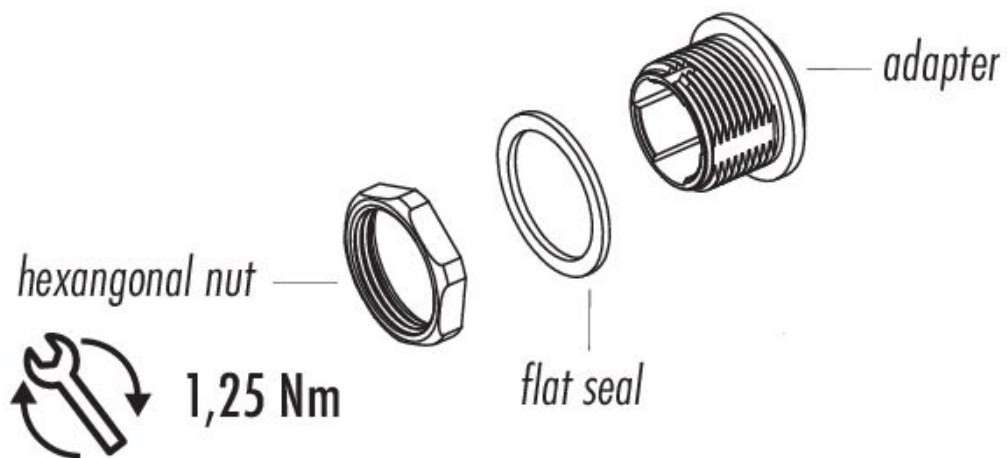
Accessory data sheet

Snap-in IP67

Product description 08 2629 000 001 - Snap-In Adapter, unshielded, screwable from the front

Part no.

Component part drawing



Accessory data sheet

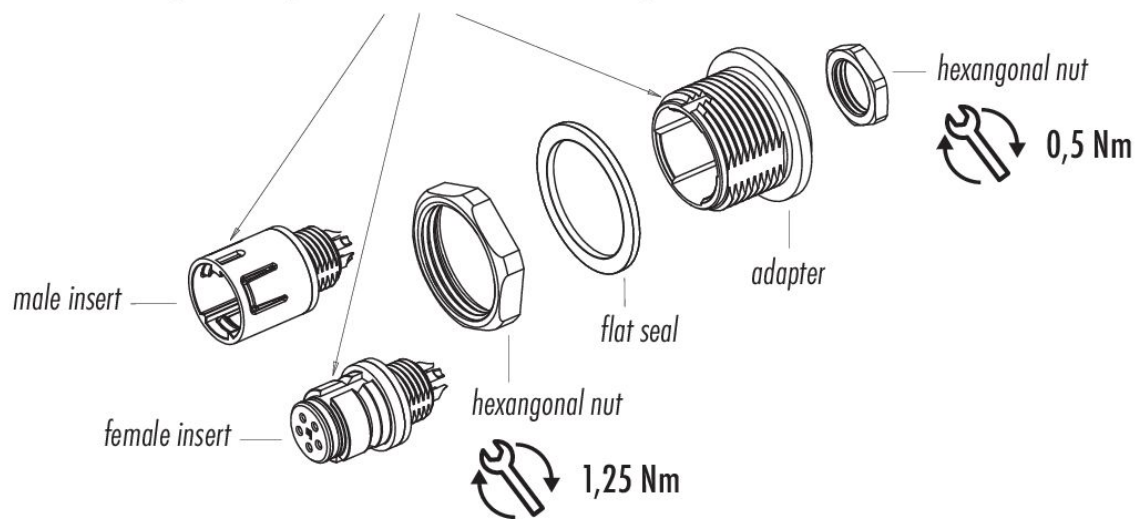
Snap-in IP67

Product description 08 2629 000 001 - Snap-In Adapter, unshielded, screwable from the front

Part no.

Assembly instructions

The marking of the adapter must conform with the coding nut of the insert



Inserts have to be ordered separately

Accessory data sheet
Snap-in IP67

Product description 08 2629 000 001 - Snap-In Adapter, unshielded, screwable from the front

Part no.

Assembly instructions / Panel cut-out

