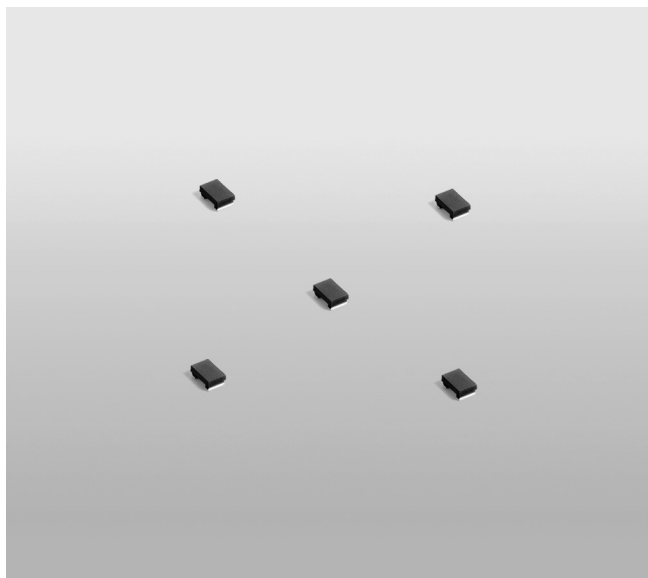


Shielded Power Inductors – PFL1005



- Smallest power inductor – only 0.71 mm high, 1.14 x 0.635 mm footprint
- Handles current up to 2800 mAmps
- AEC-Q200 Grade 1 (–40°C to +125°C)

Core material Composite

Core and winding loss See www.coilcraft.com/coreloss

Weight 1.3 – 1.8 mg

Environmental RoHS compliant, halogen free

Terminations RoHS compliant matte tin over nickel over silver-palladium-glass frit.

Ambient temperature –40°C to +125°C.

Maximum part temperature +140°C (ambient + temp rise). [Derating](#).

Storage temperature Component: –40°C to +140°C.

Tape and reel packaging: –40°C to +80°C

Resistance to soldering heat Max three 40 second reflows at +260°C, parts cooled to room temperature between cycles

Moisture Sensitivity Level (MSL) 1 (unlimited floor life at <30°C / 85% relative humidity)

PCB washing Tested to MIL-STD-202 Method 215 plus an additional aqueous wash. See [Doc787_PCB_Washing.pdf](#).

Part number ¹	Inductance ² ±20% (nH)	DCR (Ohms) ³		SRF typ ⁴ (MHz)	Isat (mA) ⁵			Irms (mA) ⁶	
		typ	max		10% drop	20% drop	30% drop	20°C rise	40°C rise
PFL1005-18NMRW	18	0.032	0.042	3400	2000	2500	2600	1400	2000
PFL1005-36NMRW	36	0.034	0.043	2500	1500	2400	2800	1400	2000
PFL1005-60NMRW	60	0.042	0.050	2100	1300	1900	2100	1200	1600
PFL1005-101MRW	100	0.059	0.075	2200	1000	1500	1900	1100	1500
PFL1005-181MRW	180	0.19	0.21	1250	700	880	1100	900	1200
PFL1005-271MRW	270	0.22	0.24	920	450	650	740	700	910
PFL1005-391MRW	390	0.45	0.51	770	380	510	550	450	570
PFL1005-561MRW	560	0.48	0.54	620	300	440	490	410	530
PFL1005-721MRW	720	0.62	0.68	560	280	400	450	370	470
PFL1005-102MRW	1000	0.97	1.08	460	270	350	380	310	400

1. When ordering, please specify **packaging** codes:

PFL1005-102MRW

Packaging: **W** = 7" machine-ready reel. EIA-481 punched paper tape (2000 parts per full reel). Quantities less than full reel available: in tape (not machine ready) or with leader and trailer (\$25 charge).

U = Less than full reel. In an effort to simplify our part numbering system, Coilcraft is eliminating the need for multiple packaging codes. When ordering, simply change the last letter of your part number from U to W.

2. Inductance tested at 7.9 MHz, 0.1 Vrms using a Coilcraft SMD-F test fixture and Coilcraft-provided correlation pieces with an Agilent/HP 4286 impedance analyzer.

3. DCR measured on a micro-ohmmeter.

4. SRF measured using an Agilent/HP 8753D network analyzer and a Coilcraft SMD-D test fixture.

5. DC current at 25°C that causes the specified inductance drop from its value without current. [Click for temperature derating information](#).

6. Current that causes the specified temperature rise from 25°C ambient. This information is for reference only and does not represent absolute maximum ratings. [Click for temperature derating information](#).

7. Electrical specifications at 25°C.

Refer to Doc 362 "Soldering Surface Mount Components" before soldering.

COILCRAFT ACCURATE
PRECISION REPEATABLE
MEASUREMENTS
TEST FIXTURES
SEE WEB SITE



www.coilcraft.com

US +1-847-639-6400 sales@coilcraft.com

UK +44-1236-730595 sales@coilcraft-europe.com

Taiwan +886-2-2264 3646 sales@coilcraft.com.tw

China +86-21-6218 8074 sales@coilcraft.com.cn

Singapore + 65-6484 8412 sales@coilcraft.com.sg

Document 739-1 Revised 07/06/23

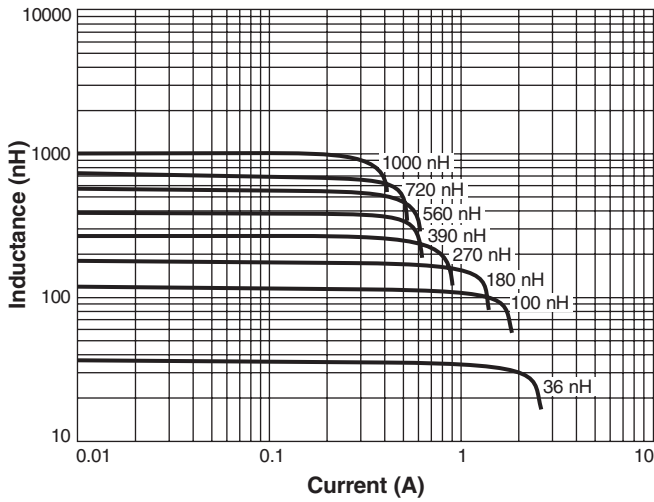
© Coilcraft Inc. 2023

This product may not be used in medical or high risk applications without prior Coilcraft approval. Specification subject to change without notice. Please check web site for latest information.

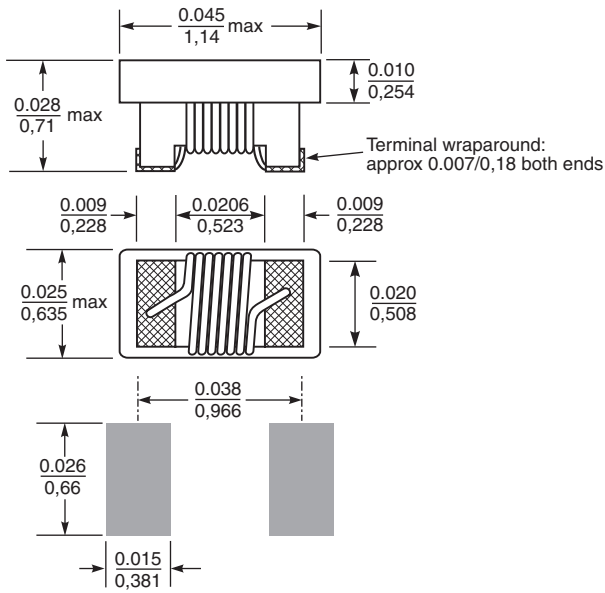
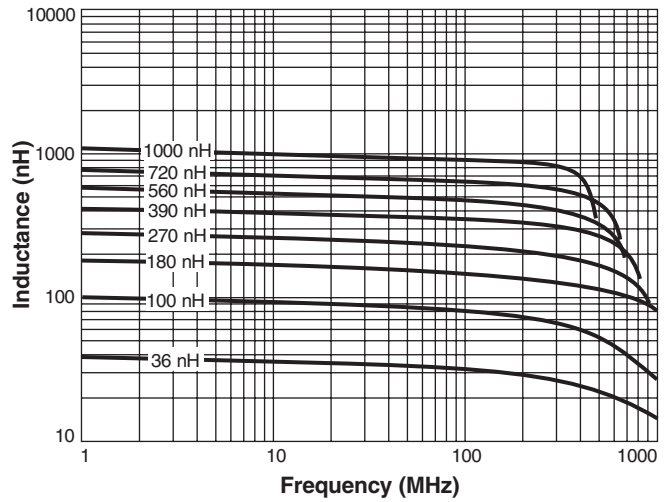


PFL1005 Series (0402)

Typical L vs Current



Typical L vs Frequency



Recommended Land Pattern

Dimensions are in $\frac{\text{inches}}{\text{mm}}$

Packaging 2000 per 7" reel Paper tape: 8 mm wide, 0.68 mm thick, 2 mm pocket spacing



US +1-847-639-6400 sales@coilcraft.com
UK +44-1236-730595 sales@coilcraft-europe.com
Taiwan +886-2-2264 3646 sales@coilcraft.com.tw
China +86-21-6218 8074 sales@coilcraft.com.cn
Singapore + 65-6484 8412 sales@coilcraft.com.sg

Document 739-2 Revised 07/06/23

© Coilcraft Inc. 2023

This product may not be used in medical or high risk applications without prior Coilcraft approval. Specification subject to change without notice. Please check web site for latest information.