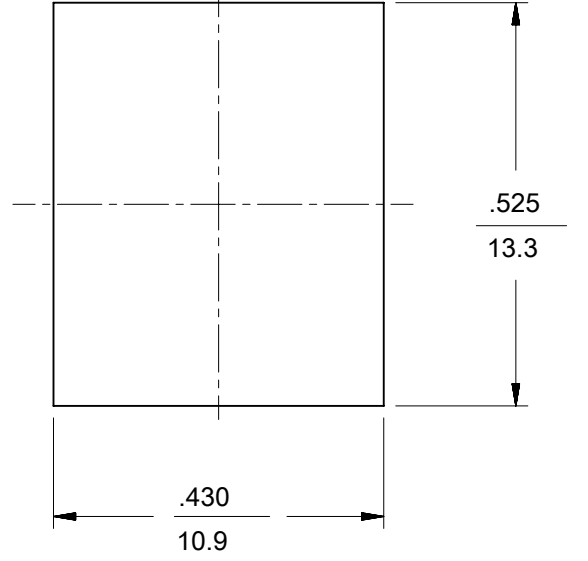
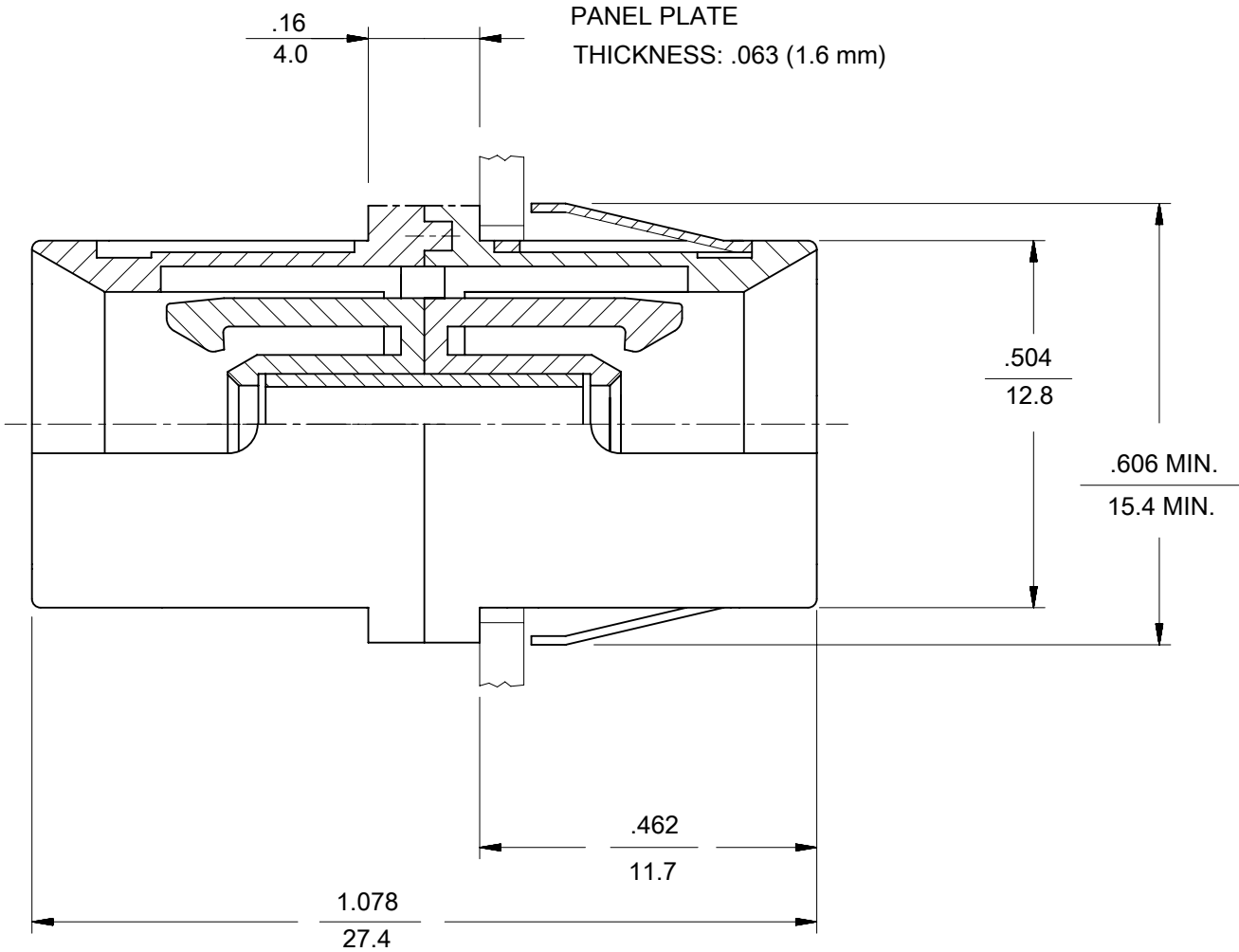
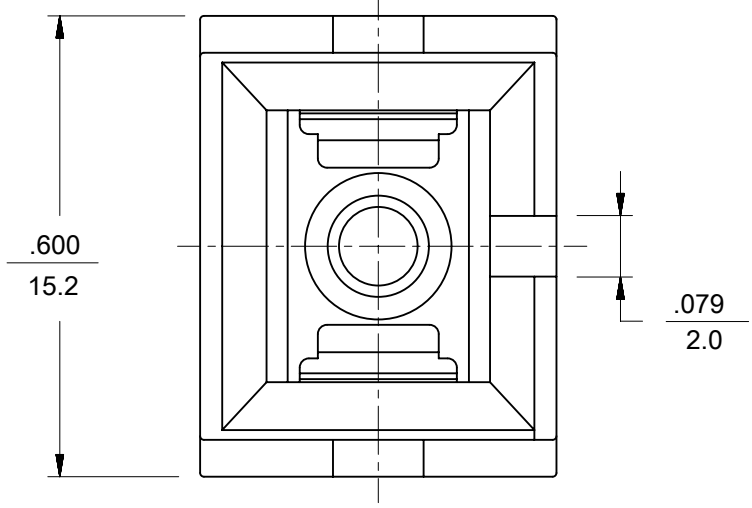
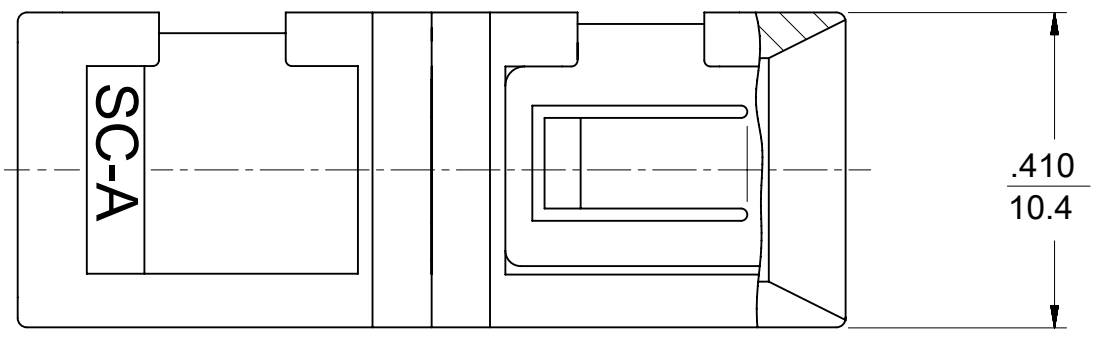


P/N OF ADAPTER	MATERIAL OF SPLIT SLEEVE	COLOR OF ADAPTER SHELL
106171-0100	CERAMIC	BLACK
106170-0120	CERAMIC	GREEN
106170-0150	CERAMIC	BLUE
106170-0153*		
106171-0150	CERAMIC	



RECOMMENDED MOUNTING HOLE

- NOTES:
- DUST CAPS ARE NOT SHOWN BUT INCLUDED.
 - P/N 106170-0153 ARE BULK PACKED ADAPTER KITS OF 100 PCS.
 - PLASTICS USED IN ADAPTERS ARE UL-94 V-0 RATED.

THIS DRAWING CONTAINS INFORMATION THAT IS PROPRIETARY TO MOLEX ELECTRONIC TECHNOLOGIES, LLC AND SHOULD NOT BE USED WITHOUT WRITTEN PERMISSION									
DIMENSION UNITS	SCALE	CURRENT REV DESC: REMOVED OBSOLETE PART NUMBERS AS PER PCN#512063.							
INCH/MM	4:1	<p style="text-align: center;">molex</p> <p style="text-align: center;">SC SMALL FLANGE ADAPTER</p>							
GENERAL TOLERANCES (UNLESS SPECIFIED)									
ANGULAR TOL	± 0.5°	PRODUCT CUSTOMER DRAWING							
4 PLACES	±	EC NO: 713759	2022/08/22						
3 PLACES	±	DRWN: SANTHN	2022/10/07						
2 PLACES	±	CHKD: GB	2022/10/07						
1 PLACE	±	APPR: GB	2022/10/07						
0 PLACES	±	INITIAL REVISION:		DOCUMENT NUMBER					
		DRWN: PGIBLIN	2005/11/29	SD-10617X-01X0		PSD	001	C1	REVISION
		APPR: IGUMIN	2005/11/29	SEE TABLE		GENERAL MARKET		SHEET NUMBER	
DRAFT WHERE APPLICABLE MUST REMAIN WITHIN DIMENSIONS		THIRD ANGLE PROJECTION	DRAWING	SERIES	MATERIAL NUMBER	CUSTOMER	1 OF 1		
			B-SIZE	106170					