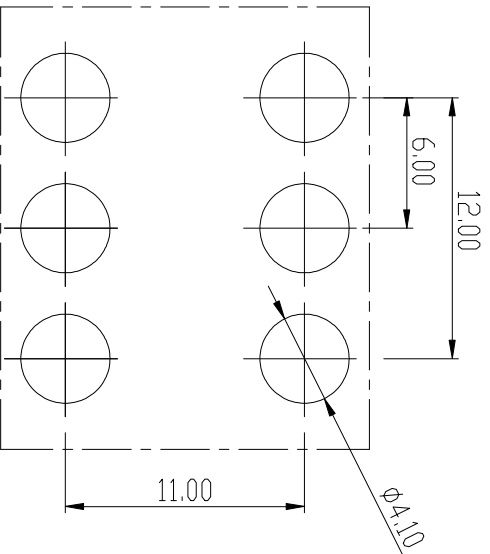
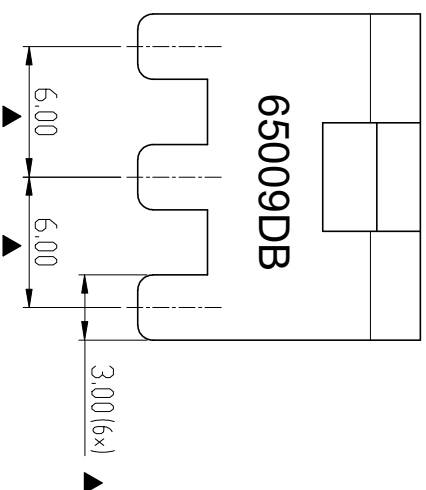
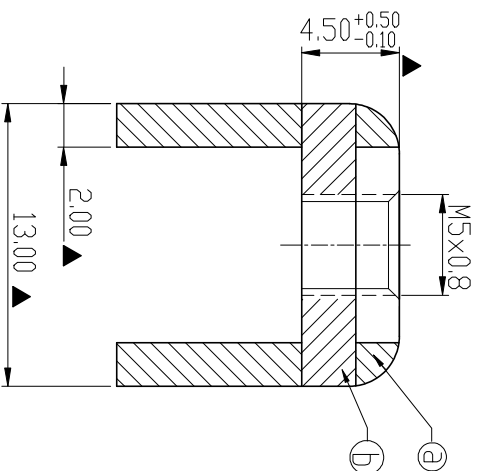
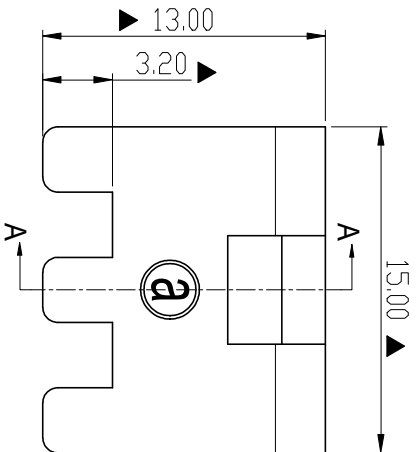


RoHS Compliant

Rev.	Sign	Date	Description	Approver
THIS IS CAD DRAWING, DO NOT REVISE MANUALLY!!!				

Technical Specification:

1. Current: 180A.
2. Torque: 18 lbf.in.
3. Mark "▲" is the Critical dimension.



ITEM	PART NAME	DESCRIPTION	Q'ty
(b)	Spacer	Steel, Matte Tin Plated	1PCS
(a)	terminal	Copper alloy, Matte Tin Plated	1PCS

Amphenol
ANYTEK

CUSTOMER COPY

ALL RIGHTS RESERVED. REPRODUCTION OR ISSUE TO THIRD PARTIES IN ANY FORM WHATSOEVER IS NOT PERMITTED WITHOUT WRITTEN AUTHORITY FROM THE PROPRIETOR. PROPERTY OF ANYTEK TECHNOLOGY CO., LTD

TITLE	AMT65009DB Stamped terminal			DWG NO.	8AMT0033		Tolerance
PART NO.	AMT0650009DB0000G			CUST NO.			±0.60
APPROVED	CHECKED	DESIGNED	DRAWN	UNIT:	mm		6-30 ±0.40
		Seamus 2023.10.18	Seamus 2023.10.18	SCALE:	NONE		0-6 ±0.30
				REV.:	A0		ANGLES ±1°
				SHEET:	01/01		