

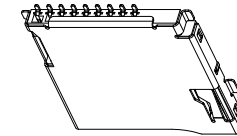
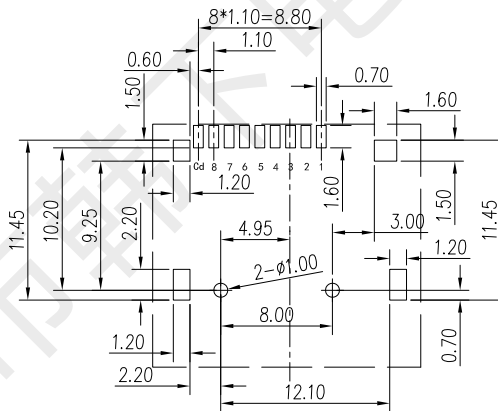
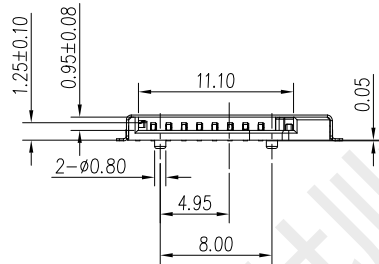
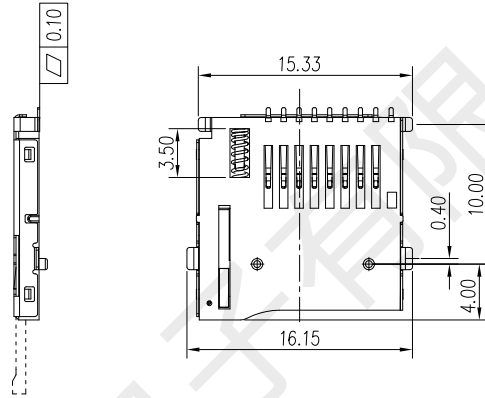
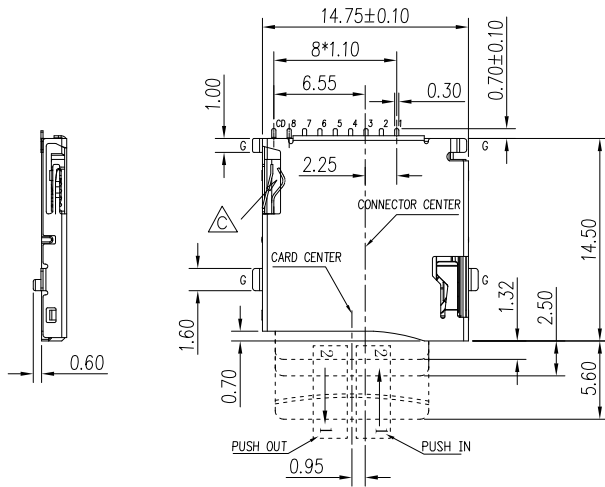
RoHs

PIN NO.	NAME	YTYPE	DESCRIPTION
1	DAT2	I/O/PP	DATE LINE(BIT2)
2	CD/DAT3	I/O/PP	CARD DETECT DATE LIN(BIT3)
3	CMD	PP	COMMAND RESPONSE
4	VDD	S	SUPPLY VOLTAGE
5	CLX	I	CLOCK
6	VSS	S	SUPPLY VOLTAGE GROUND
7	DAT0	I/O/PP	DATE LINE(BIT0)
8	DAT1	I/O/PP	DATE LINE(DIT1)

VER	MARK	PR. BY	ECR/ECN	DESCRIPTION	DATE

Specification:

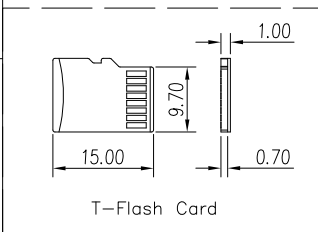
- Electrical Characteristics:
  - Contact Current Rating:0.5 Amperes.
  - Dielectric Withstanding Voltage:AC500V r.m.s.
  - Insulation Resistance:1000 MΩ Minimum.
  - Contact Resistance:40 mΩ Maximum.
- Environmental:
  - Operating Temperature:-25°C~+90°C.
- Environmental:
  - Mating Cyeles:5,000 Insertions.
- Mechanical Characteristics:
  - Card Push Insertion/Out Force:0.2~1.40kgf.
  - Contact Separation Force:0.20kgf Minimum.
- Material:
  - Insulator:HI-Temp Plastic UL 94V-0 Rated.
  - Contact:Copper Alloy(t=0.15mm).
  - Shell:Stainless Steel(t=0.15mm).
  - Spring:SWP.



规格料号:

3009-FAB001	TF-CARD外焊自弹式外壳半金雾锡无弹片黑色热封
3009-FAB002	TF-CARD外焊自弹式外壳半金雾锡无弹片透明冷封
3009-FAB003	TF-CARD外焊自弹式外壳全金1U无弹片透明冷封
3009-FAB004	TF-CARD外焊自弹式外壳半金雾锡G/F无弹片黑色冷封
3009-FAB005	TF-CARD外焊自弹式 端子镀全金1U 外壳镀镍30-50u无弹片黑色冷封
3009-FAB006	TF-CARD外焊自弹式外壳半金雾锡G/F壳脚刷金无弹片黑色冷封
3009-FAB007	TF-CARD外焊自弹式外壳半金雾锡G/F壳脚刷金无弹片透明冷封
3009-FAB008	TF-CARD外焊自弹式外壳半金雾锡无弹片黑色热封
3009-FAB009	TF-CARD外焊自弹式外壳半金雾锡无弹片大盘
3009-FAB010	TF-CARD外焊自弹式外壳半金雾锡无弹片大盘
3009-FAB011	TF-CARD外焊自弹式外壳全金AU1U无弹片大盘
3009-FAB012	TF-CARD外焊自弹式外壳全金AU1U无弹片小盘

RECOMMENDED P.C.B HOLE LAYOUT  
COMPONENT SIDE VIEW(TOLERANCE: +/-0.05)



CUSTOMER		GENERAL TOLERANCES UNLESS SPECIFIED		APPROVED BY:		深圳市韩下电子有限公司	
SIZE	UNITS	X±0.50	X*±5.0°	罗小春		TITLE: TF-CARD 外焊 自弹式 外壳 无弹片	
A4	MM[INCH]	.X±0.35	.X*±3.0°	张伟		PART NO.: HX TF-01A	
SCALE	REV.	.XX±0.25	.XX*±2.5°	DESIGN BY: 黄彬		DWG NO.:	
1:1	C	.XXX±0.15	.XXX*±2.0°			SHEET 1/2	

