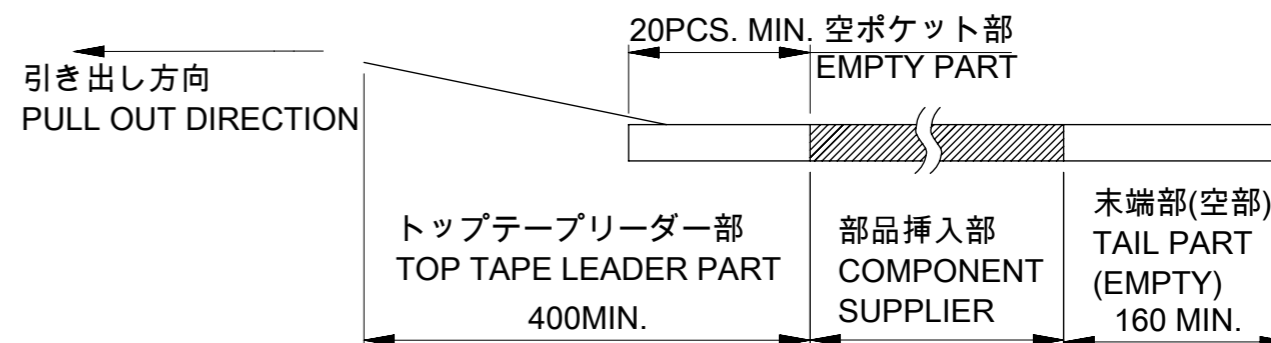


注記 NOTES

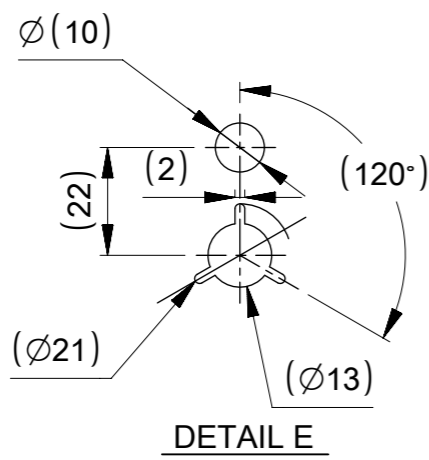
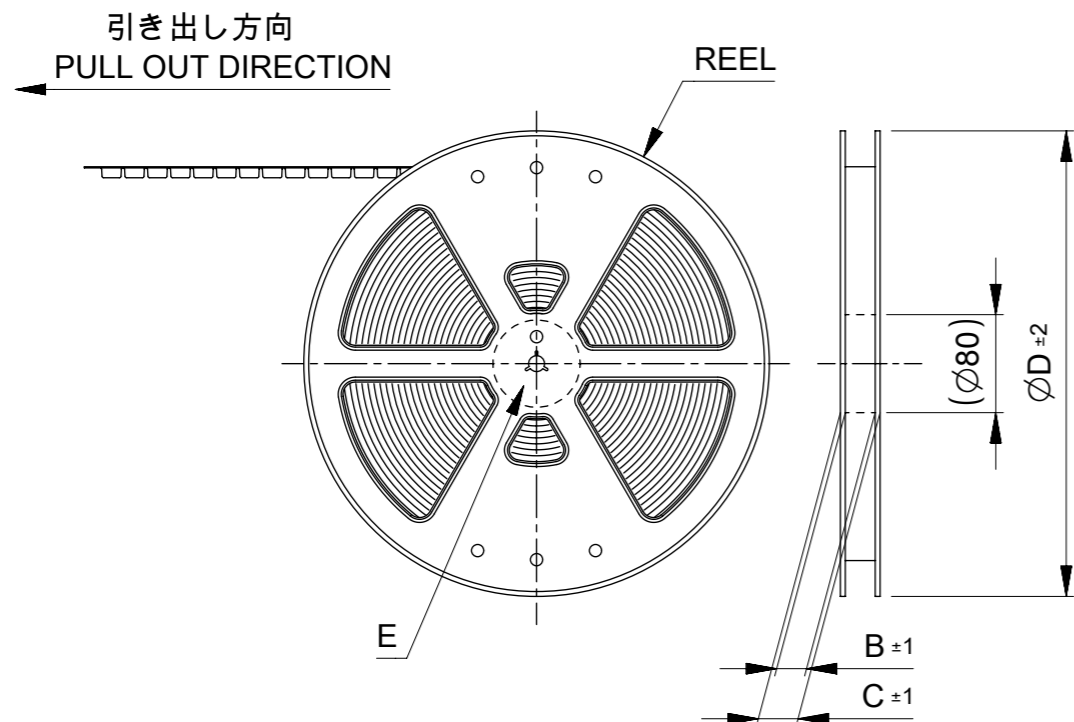
- 製品詳細寸法については製品単体図面を参照下さい。  
FOR DETAILED DIMENSION, SEE PRODUCT DRAWING.
- 梱包数量 : 1000個/リール(14CKT), 1500個/リール(20,30,32,40CKT)  
THE NUMBER OF PACKAGED CONNECTORS : 1000 PCS/REEL(14CKT)  
: 1500 PCS/REEL(20,30,32,40CKT)

- リードテープ長さ  
LEAD TAPE LENGTH

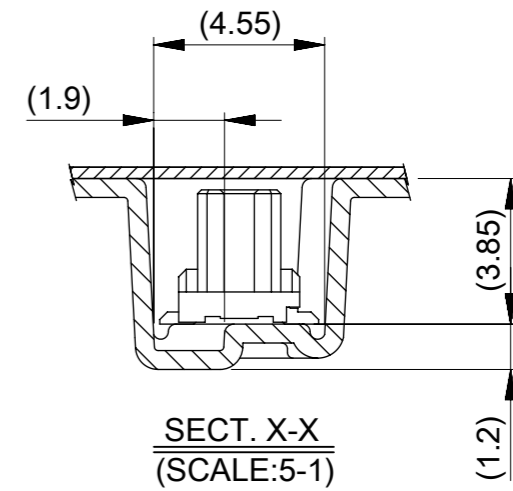
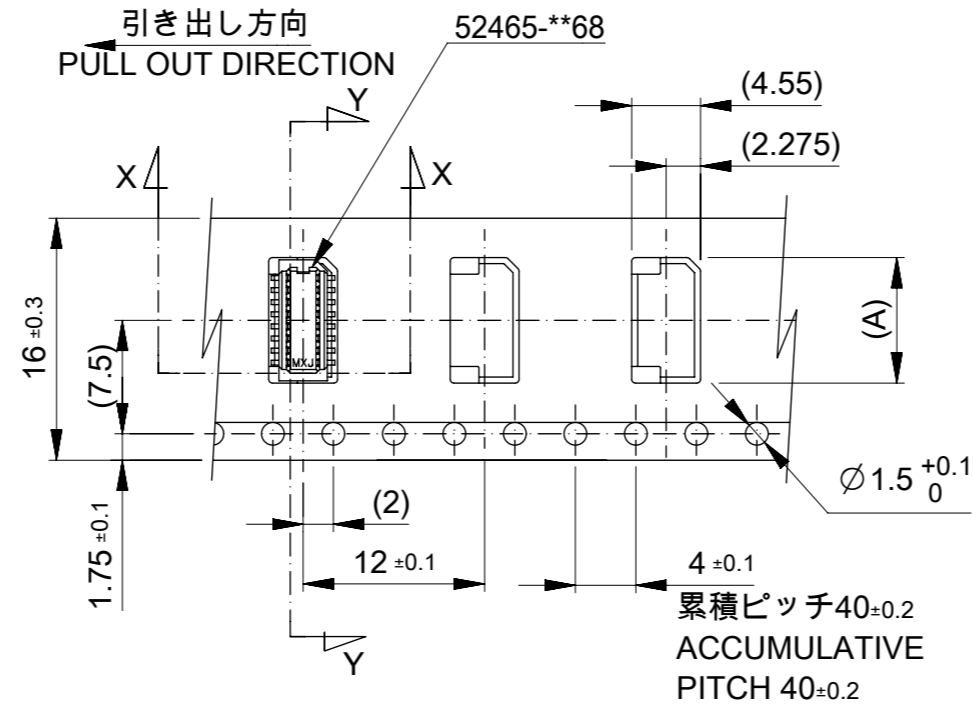
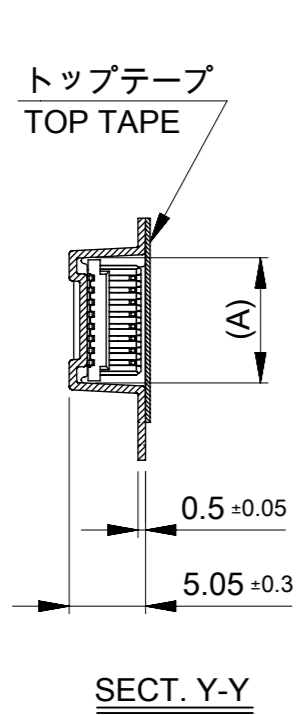


- 材料  
MATERIAL  
キャリアテープ : ポリプロピレン(PP)  
CARRIER TAPE : POLYPROPYLENE (PP)  
トップテープ : PET, PE, PEF  
TOP TAPE : PET, PE, PEF  
リール : ポリスチレン(PS) <リサイクル材含む>  
REEL : POLYSTYRENE (PS) <RECYCLE MATERIAL CONTAINED >

- ELV及びRoHS適合品  
ELV AND RoHS COMPLIANT.
- トップテープの剥離強度については IEC60286-3 に準拠。  
TOP TAPE PEEL FORCE IS DEFINED BY IEC60286-3.



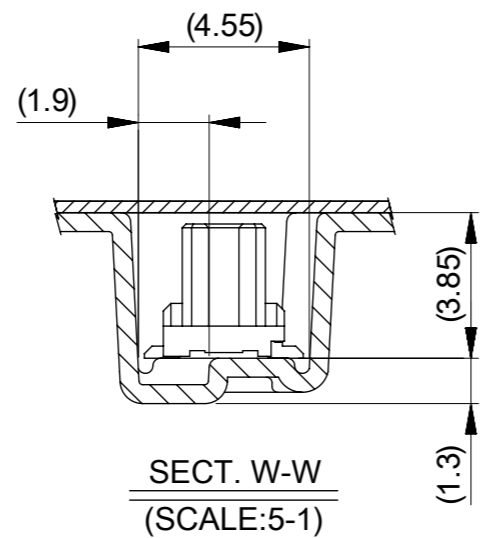
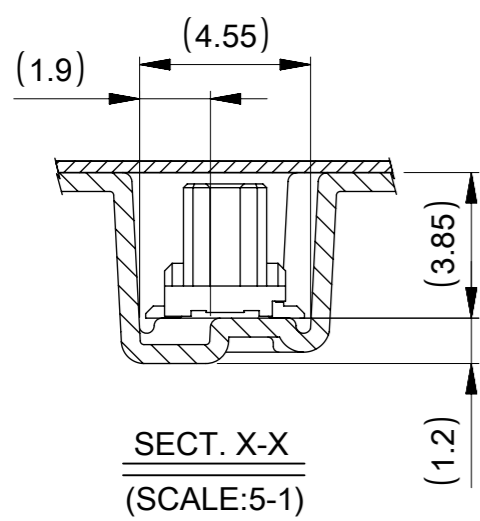
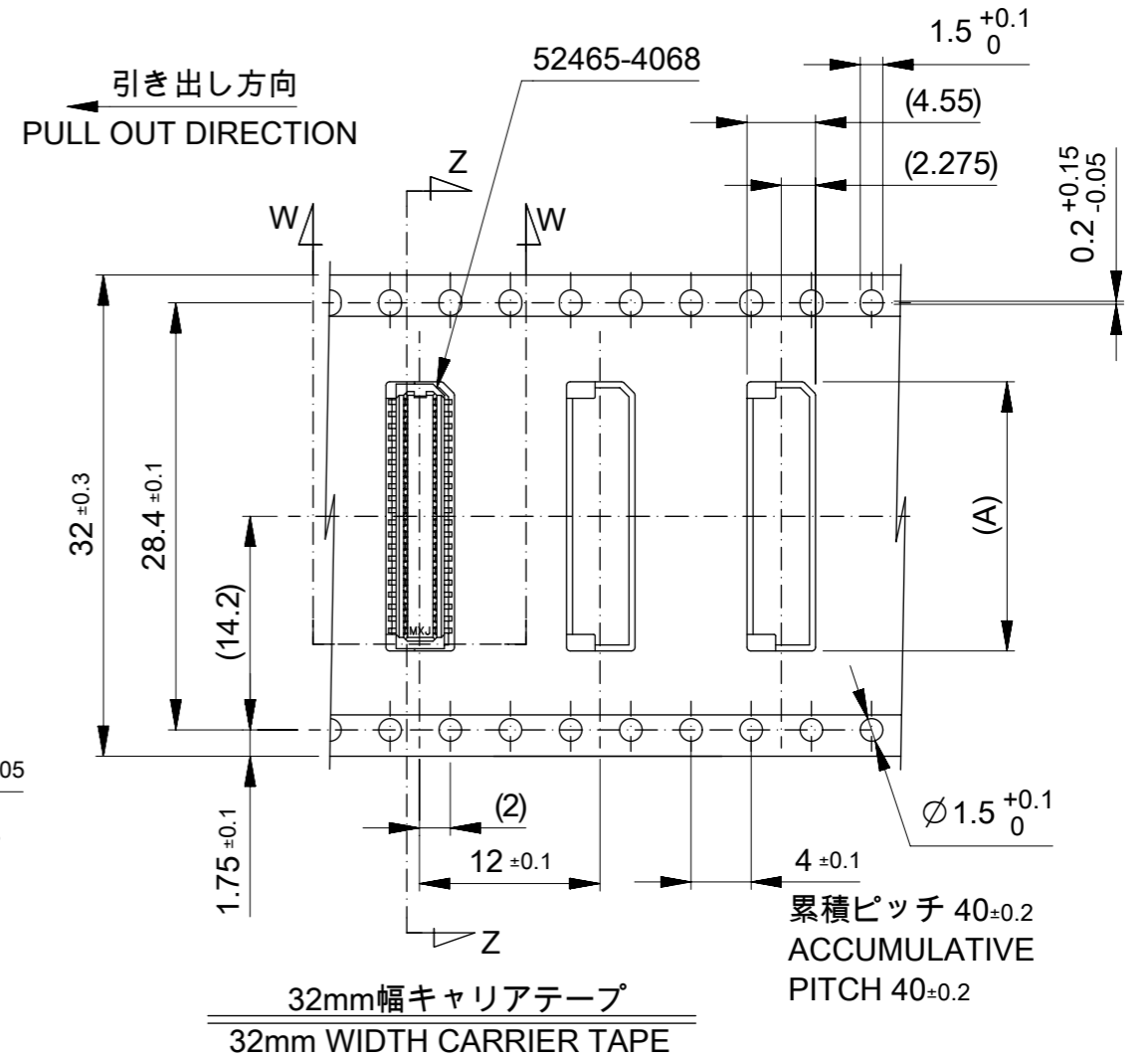
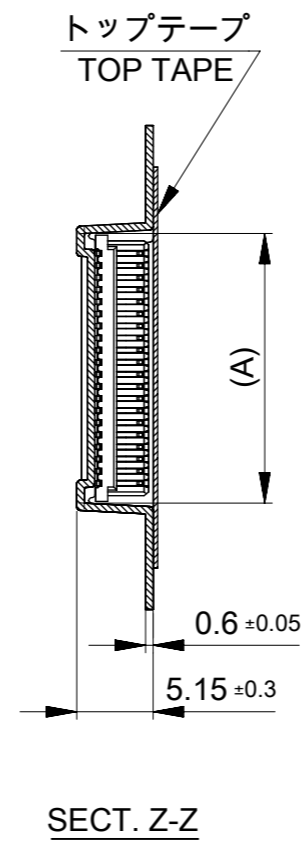
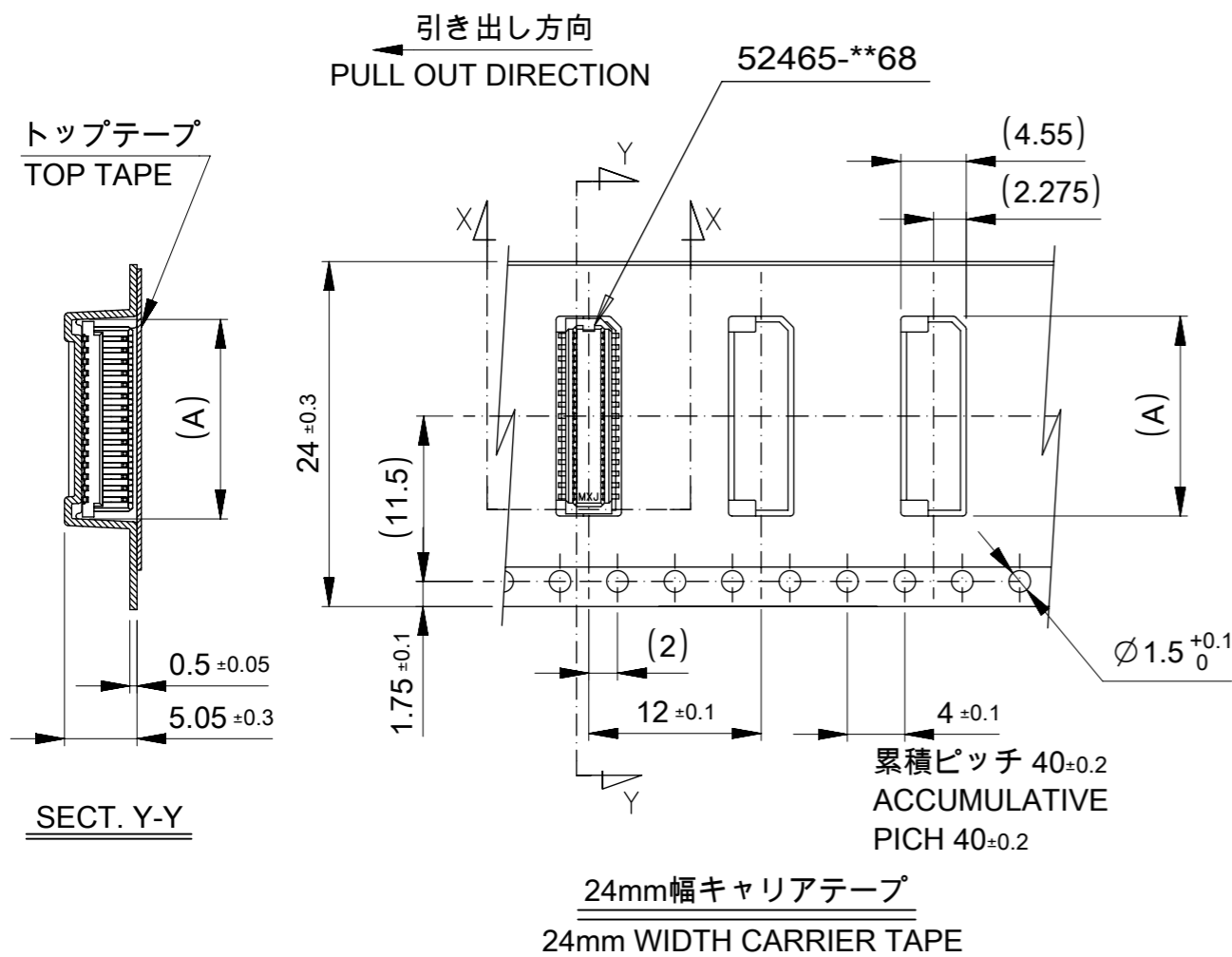
FUNCTIONAL SYMBOLS	THIS DRAWING CONTAINS INFORMATION THAT IS PROPRIETARY TO MOLEX ELECTRONIC TECHNOLOGIES, LLC AND SHOULD NOT BE USED WITHOUT WRITTEN PERMISSION		CURRENT REV DESC:		<b>molex</b>			
	▽A = 0	mm	NTS					
▽E = 0	GENERAL TOLERANCES (UNLESS SPECIFIED)				0.8 MM PITCH B-TO-B CONN. RECEPTACLE (WITHOUT BOSS) EMBOSS TAPE PACKAGE			
▽P = 0	ANGULAR TOL ±							
DIVISIONAL SYMBOLS	4 PLACES	±		EC NO: 751506	PRODUCT CUSTOMER DRAWING			
	3 PLACES	±		DRWN: RSATO				
	2 PLACES	±		CHK'D: SMARUYAMA				
	1 PLACE	±		APPR: YNAITO				
	0 PLACES	±		INITIAL REVISION:				
DRAFT WHERE APPLICABLE MUST REMAIN WITHIN DIMENSIONS			THIRD ANGLE PROJECTION	DRAWING	SERIES	MATERIAL NUMBER	CUSTOMER	SHEET NUMBER
			⊕	A3-SIZE	52465	524650000	GENERAL	1 OF 3



16mm幅キャリアテープ  
16mm WIDTH CARRIER TAPE

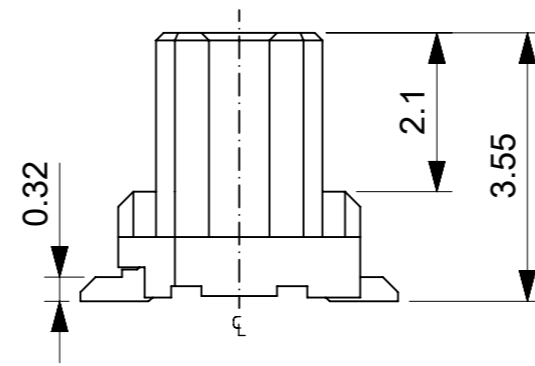
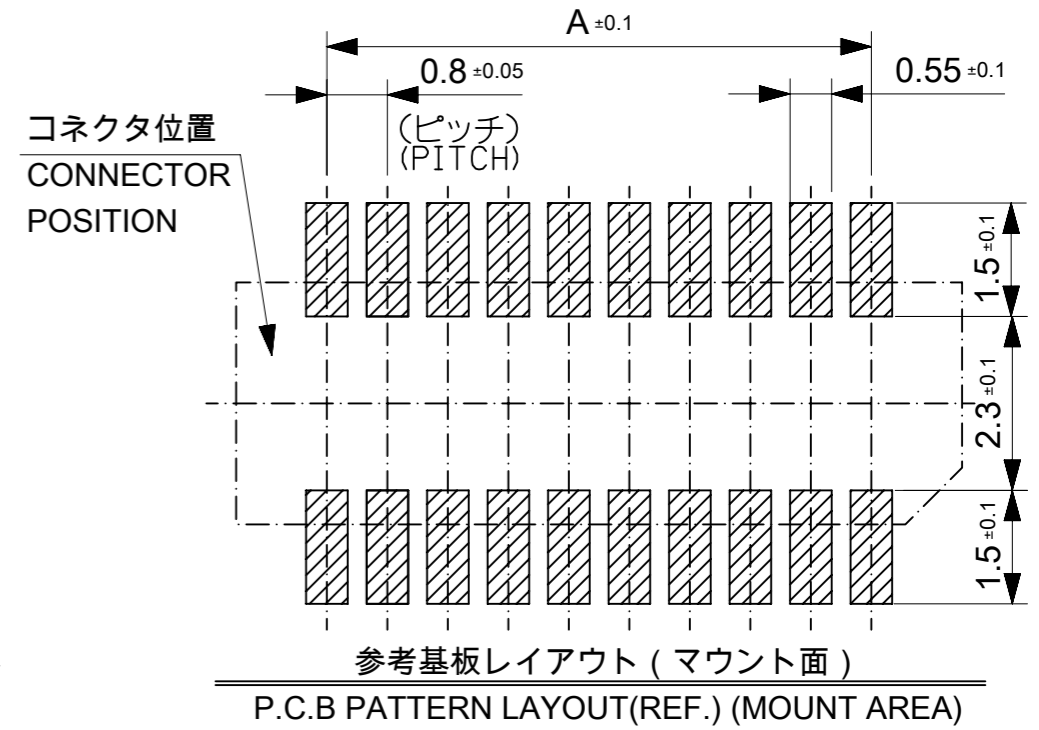
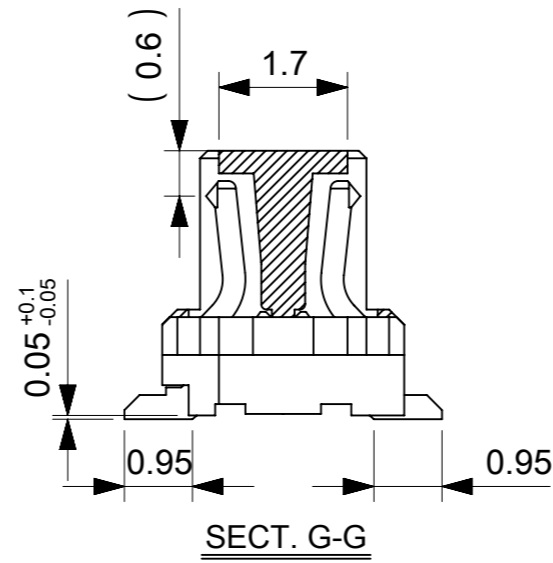
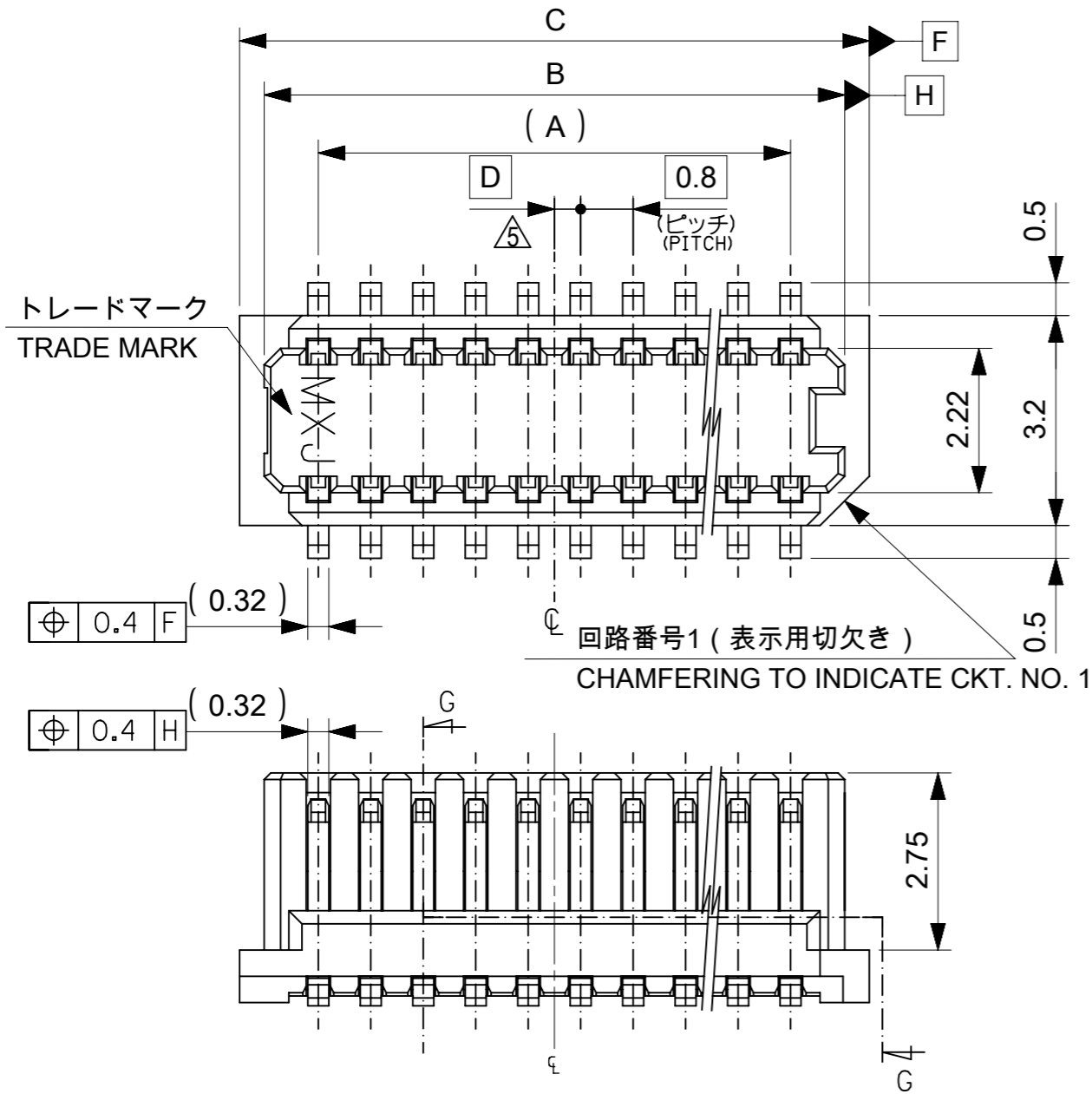
16	330	21.4	17.4	7.5	52465-1462	14
キャリアテープ幅 CARRIER TAPE WIDTH	D	C	B	A	EMBOSSED TAPE PACKAGE ORDER NO	極数 CIRCUITS

FUNCTIONAL SYMBOLS	THIS DRAWING CONTAINS INFORMATION THAT IS PROPRIETARY TO MOLEX ELECTRONIC TECHNOLOGIES, LLC AND SHOULD NOT BE USED WITHOUT WRITTEN PERMISSION		CURRENT REV DESC:		<b>molex</b>		
△/A = 0	mm	NTS	EC NO: 751506				
△/E = 0	GENERAL TOLERANCES (UNLESS SPECIFIED)		DRWN: RSATO		0.8 MM PITCH B-TO-B CONN. RECEPTACLE (WITHOUT BOSS) EMBOSS TAPE PACKAGE		
△/P = 0	ANGULAR TOL ±		CHK'D: SMARUYAMA		PRODUCT CUSTOMER DRAWING		
DIVISIONAL SYMBOLS	4 PLACES ±		APPR: YNAITO		DOCUMENT NUMBER		
	3 PLACES ±		INITIAL REVISION:		524650000		
	2 PLACES ±		DRWN: RMIYAMOTO		DOC TYPE		
	1 PLACE ±		APPR: TKUSUHARA01		PSD		
	0 PLACES ±		2018/07/31		DOC PART		
DRAFT WHERE APPLICABLE MUST REMAIN WITHIN DIMENSIONS		THIRD ANGLE PROJECTION		SERIES		REVISION	
		DRAWING		MATERIAL NUMBER		CUSTOMER	
		A3-SIZE		52465		GENERAL	
				CUSTOMER		SHEET NUMBER	
				GENERAL		2 OF 3	



32	380	37.4	33.4	17.9	52465-4062	40
24	380	29.4	25.4	14.7	52465-3262	32
				13.9	52465-3062	30
				9.9	52465-2062	20
キャリアテープ幅 CARRIER TAPE WIDTH	D	C	B	A	EMBOSSED TAPE PACKAGE ORDER NO	極数 CIRCUITS

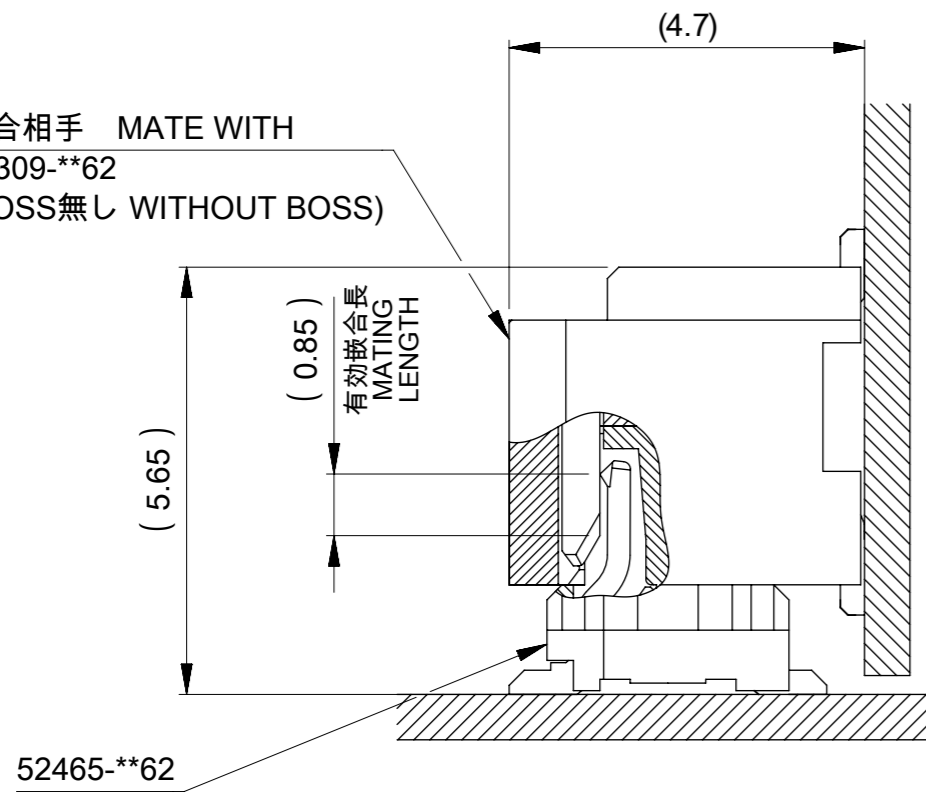
FUNCTIONAL SYMBOLS	THIS DRAWING CONTAINS INFORMATION THAT IS PROPRIETARY TO MOLEX ELECTRONIC TECHNOLOGIES, LLC AND SHOULD NOT BE USED WITHOUT WRITTEN PERMISSION		CURRENT REV DESC:		<b>molex</b>		
△A = 0	mm	NTS	EC NO: 751506				
△E = 0	GENERAL TOLERANCES (UNLESS SPECIFIED)		DRWN: RSATO		0.8 MM PITCH B-TO-B CONN. RECEPTACLE (WITHOUT BOSS) EMBOSS TAPE PACKAGE		
△P = 0	ANGULAR TOL ±		CHK'D: SMARUYAMA		PRODUCT CUSTOMER DRAWING		
DIVISIONAL SYMBOLS	4 PLACES ±		APPR: YNAITO		DOCUMENT NUMBER		
	3 PLACES ±		INITIAL REVISION:		DOC TYPE		
	2 PLACES ±		DRWN: RMIYAMOTO		DOC PART		
	1 PLACE ±		APPR: TKUSUHARA01		REVISION		
	0 PLACES ±		2018/07/31		524650000		
DRAFT WHERE APPLICABLE MUST REMAIN WITHIN DIMENSIONS		THIRD ANGLE PROJECTION		DRAWING		MATERIAL NUMBER	
		A3-SIZE		SERIES		CUSTOMER	
		52465		GENERAL		SHEET NUMBER	
				3 OF 3			



0.4	17.6	16.85	15.2	52465-4062	40
0.4	14.4	13.65	12.0	52465-3262	32
0.8	13.6	12.85	11.2	52465-3062	30
0.4	9.6	8.85	7.2	52465-2062	20
0.8	7.2	6.45	4.8	52465-1462	14
D	C	B	A	EMBOSSED TAPE ORDER NO. オーダー番号	CKT 極数

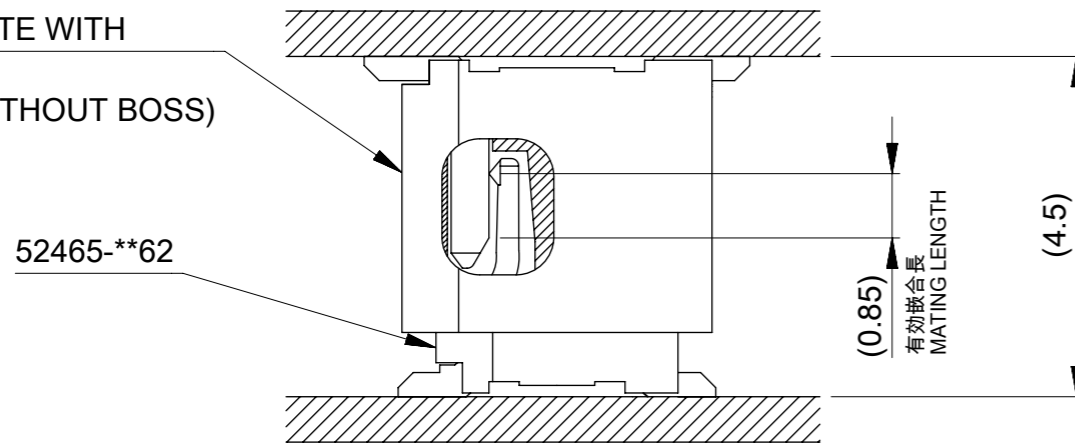
FUNCTIONAL SYMBOLS	THIS DRAWING CONTAINS INFORMATION THAT IS PROPRIETARY TO MOLEX ELECTRONIC TECHNOLOGIES, LLC AND SHOULD NOT BE USED WITHOUT WRITTEN PERMISSION		CURRENT REV DESC:		<b>molex</b>		
	△A = 0	mm NTS					
DIVISIONAL SYMBOLS	GENERAL TOLERANCES (UNLESS SPECIFIED)		EC NO: 751506		PRODUCT CUSTOMER DRAWING		
	△E = 0	ANGULAR TOL ± 3.0°	DRWN: RSATO	2023/04/19			
DIVISIONAL SYMBOLS	△F = 0	4 PLACES ± 0.2	CHK'D: SMARUYAMA	2023/06/27	DOCUMENT NUMBER: 524651000		
	△G = 0	3 PLACES ± 0.2	APPR: YNAITO	2023/06/27			
		2 PLACES ± 0.2	INITIAL REVISION:		MATERIAL NUMBER: 52465		
		1 PLACE ± 0.2	DRWN: RMIYAMOTO	2018/07/31			
	0 PLACES ± 0.2	DRAFT WHERE APPLICABLE MUST REMAIN WITHIN DIMENSIONS		APPR: TKUSUHARA01	2018/08/02		

嵌合相手 MATE WITH  
53309-\*\*62  
(BOSS無し WITHOUT BOSS)



嵌合状態図 (参考)  
MATED DRAWING(REF.)

嵌合相手 MATE WITH  
53307-\*\*62  
(BOSS無し WITHOUT BOSS)



嵌合状態図 (参考)  
MATED DRAWING(REF.)

NOTES

- 1 材質  
MATERIAL  
ハウジング : ポリアミド ( PA )、ガラス充填、UL94 V-0、ナチュラル ( クリーム )  
HOUSING : POLYAMIDE, GLASS FILLED, UL94 V-0, NATURAL ( CREAM )  
ターミナル : リン青銅 ( t=0.32 )  
TERMINAL : PHOSPHER BRONZE ( t=0.32 )
- 2 メッキ仕様  
PLATING  
コンタクト部 : 部分金メッキ ( 0.1マイクロメートル以上 )  
CONTACT AREA : SEPARATED GOLD PLATING ( 0.1 MICRO METER MINIMUM )  
テール部 : 部分金メッキ  
TAIL AREA : SEPARATED GOLD PLATING  
下地メッキ : ニッケルメッキ ( 1.0マイクロメートル以上 )  
UNDER-PLATING : NICKEL ( 1.0 MICRO METER MINIMUM )
- 3 嵌合相手 : 53307シリーズ ( 14CKT ), 53309シリーズ ( 20,30,32,40CKT )  
MATES WITH 53307 SERIES ( 14CKT ), 53309 SERIES ( 20,30,32,40CKT )
- 4 テール平坦度は0.1以下  
TAIL COPLANALITY TO BE 0.1 MAXIMUM.
- △5 ハウジングのCLから隣接するターミナルのCLまでの位置とする。  
SHOW POSITION FROM CL OF HOUSING TO CL OF ADJUSTMENT TERMINALS.
- 6 一对の基板の嵌合において、本製品を2個以上使用することはできません。  
MXJ DOES NOT RECOMMEND THE USAGE OF TWO OR MORE OF THESE CONNECTORS BETWEEN A SINGLE PAIR OF P.C.BOARD.
7. ELV及びRoHS適合品  
ELV AND RoHS COMPLIANT.

FUNCTIONAL SYMBOLS	THIS DRAWING CONTAINS INFORMATION THAT IS PROPRIETARY TO MOLEX ELECTRONIC TECHNOLOGIES, LLC AND SHOULD NOT BE USED WITHOUT WRITTEN PERMISSION		CURRENT REV DESC:		<b>molex</b>					
	△A = 0	mm						NTS		
DIVISIONAL SYMBOLS	GENERAL TOLERANCES (UNLESS SPECIFIED)		EC NO: 751506 DRWN: RSATO 2023/04/19 CHK'D: SMARUYAMA 2023/06/27 APPR: YNAITO 2023/06/27		PRODUCT CUSTOMER DRAWING					
	△E = 0	ANGULAR TOL ± 3.0°								
DIVISIONAL SYMBOLS	4 PLACES	± 0.2	INITIAL REVISION: DRWN: RMIYAMOTO 2018/07/31 APPR: TKUSUHARA01 2018/08/02		DOCUMENT NUMBER		DOC TYPE	DOC PART	REVISION	
	3 PLACES	± 0.2			524651000		PSD	001	C	
	2 PLACES	± 0.2			MATERIAL NUMBER		CUSTOMER		SHEET NUMBER	
	1 PLACE	± 0.2			A3-SIZE		GENERAL		2 OF 2	
0 PLACES	± 0.2	DRAFT WHERE APPLICABLE MUST REMAIN WITHIN DIMENSIONS		THIRD ANGLE PROJECTION						