



Connectors > Automotive Connectors > Automotive Connector Accessories > Automotive Connector Caps & Covers



Protection & Strain Relief Accessory Type: **Cover**

Strain Relief: **Without**

Primary Product Color: **Black**

Primary Product Material: **PA66**

Features

Product Type Features

Protection & Strain Relief Accessory Type	Cover
---	-------

Body Features

Primary Product Color	Black
Primary Product Material	PA66

Mechanical Attachment

Strain Relief	Without
---------------	---------

Product Compliance

[For compliance documentation, visit the product page on TE.com>](#)

EU RoHS Directive 2011/65/EU	Compliant
EU ELV Directive 2000/53/EC	Compliant
China RoHS 2 Directive MIIT Order No 32, 2016	No Restricted Materials Above Threshold
EU REACH Regulation (EC) No. 1907/2006	Current ECHA Candidate List: JUNE 2024 (241) Candidate List Declared Against: JUNE 2024 (241) Does not contain REACH SVHC
Halogen Content	Low Halogen - Br, Cl, F, I < 900 ppm per

homogenous material. Also BFR/CFR/PVC Free

Solder Process Capability

Not applicable for solder process capability

Product Compliance Disclaimer

This information is provided based on reasonable inquiry of our suppliers and represents our current actual knowledge based on the information they provided. This information is subject to change. The part numbers that TE has identified as EU RoHS compliant have a maximum concentration of 0.1% by weight in homogenous materials for lead, hexavalent chromium, mercury, PBB, PBDE, DBP, BBP, DEHP, DIBP, and 0.01% for cadmium, or qualify for an exemption to these limits as defined in the Annexes of Directive 2011/65/EU (RoHS2). Finished electrical and electronic equipment products will be CE marked as required by Directive 2011/65/EU. Components may not be CE marked. Additionally, the part numbers that TE has identified as EU ELV compliant have a maximum concentration of 0.1% by weight in homogenous materials for lead, hexavalent chromium, and mercury, and 0.01% for cadmium, or qualify for an exemption to these limits as defined in the Annexes of Directive 2000/53/EC (ELV). Regarding the REACH Regulation, the information TE provides on SVHC in articles for this part number is based on the latest European Chemicals Agency (ECHA) 'Guidance on requirements for substances in articles' posted at this URL: <https://echa.europa.eu/guidance-documents/guidance-on-reach>

Compatible Parts



TE Part # 1743062-3
MT-II/JPT SLD 36P CAP HSG GRAY



TE Part # 1743062-2
MT-II/JPT SLD 36P CAP HSG



TE Part # 1743062-1
MT-II/JPT SLD 36P CAP HSG



TE Part # 444511-3
COVER CAP



TE Part # 9-1743062-2
MT-II/JPT SLD 36P CAP HSG

Customers Also Bought



TE Part #936204-1
MULTILOCK, CONNECTOR HOUSING



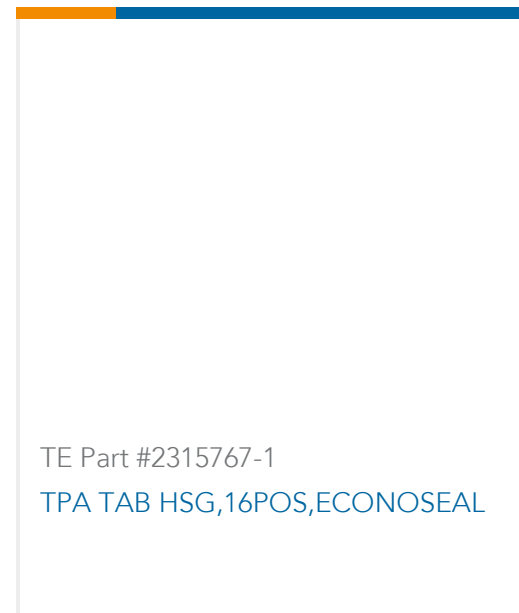
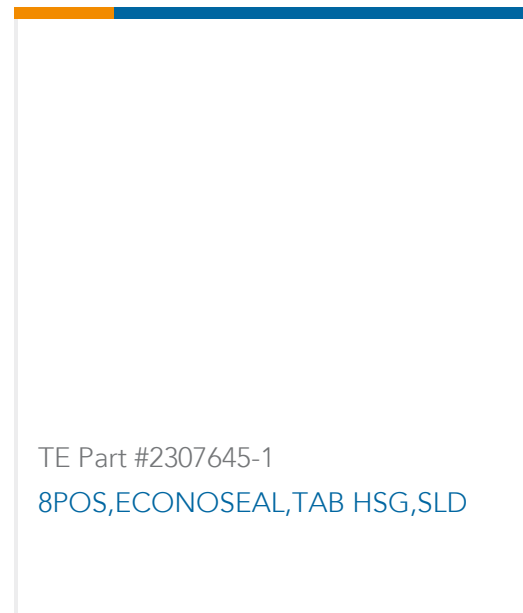
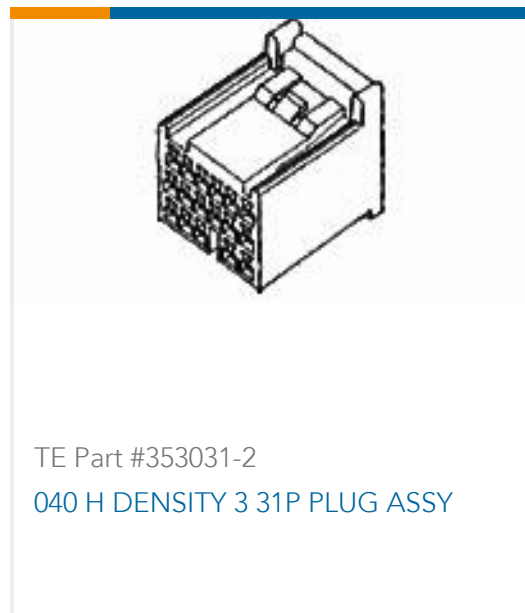
TE Part #1717934-1
AMPSEAL 16 Housings



TE Part #1743064-2
MT-2/JPT SLD 36P PLUG COVER BK



TE Part #1743059-2
MT-II/JPT SLD 36P PLUG ASSY



Documents

Product Drawings

[MT-II/JPT SLD 36P CAP COVER](#)

English

CAD Files

Customer View Model

[ENG_CVM_CVM_1743065-2_B.2d_dxf.zip](#)

English

3D PDF

3D

Customer View Model

[ENG_CVM_CVM_1743065-2_B.3d_igs.zip](#)

English

Customer View Model

[ENG_CVM_CVM_1743065-2_B.3d_stp.zip](#)

English

By downloading the CAD file I accept and agree to the [Terms and Conditions](#) of use.