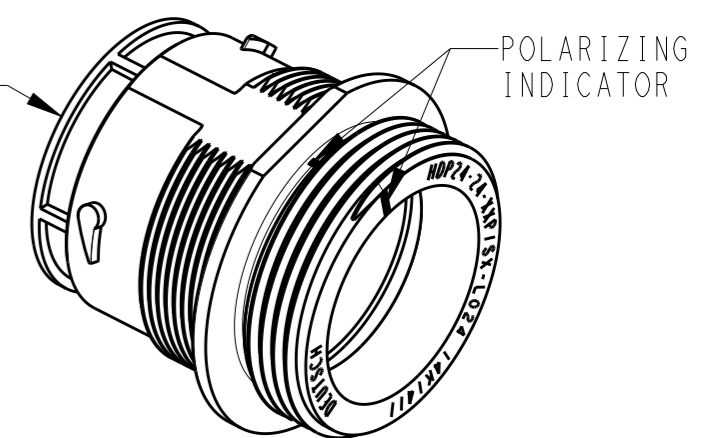
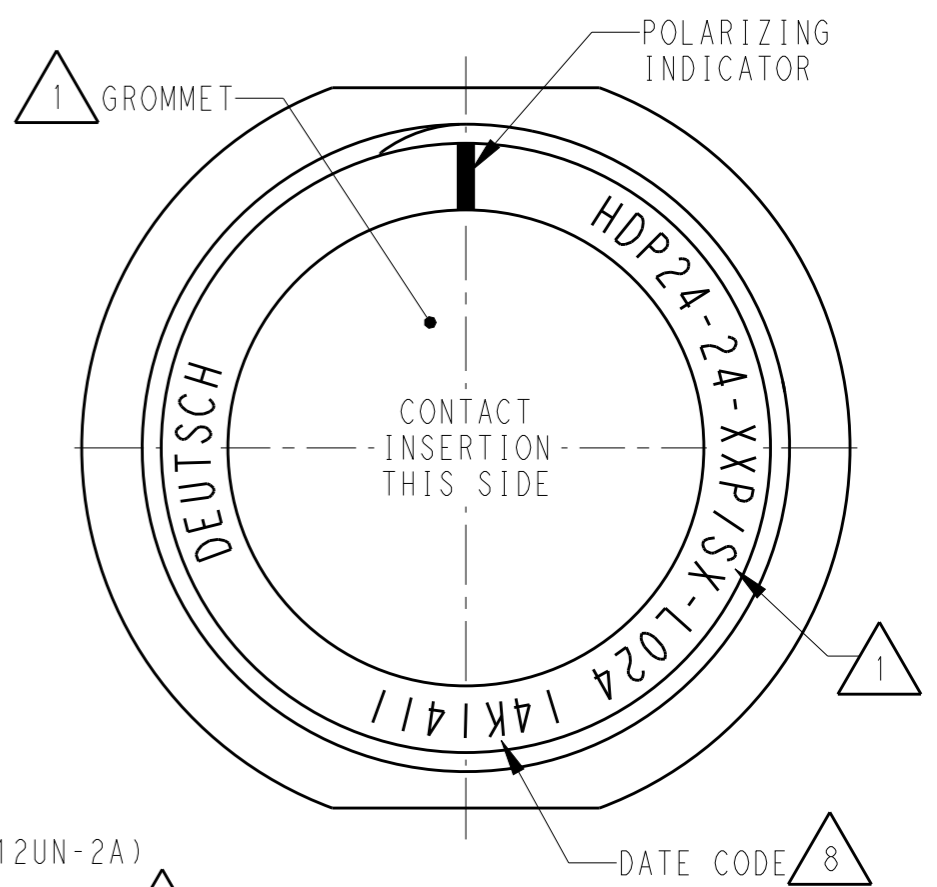
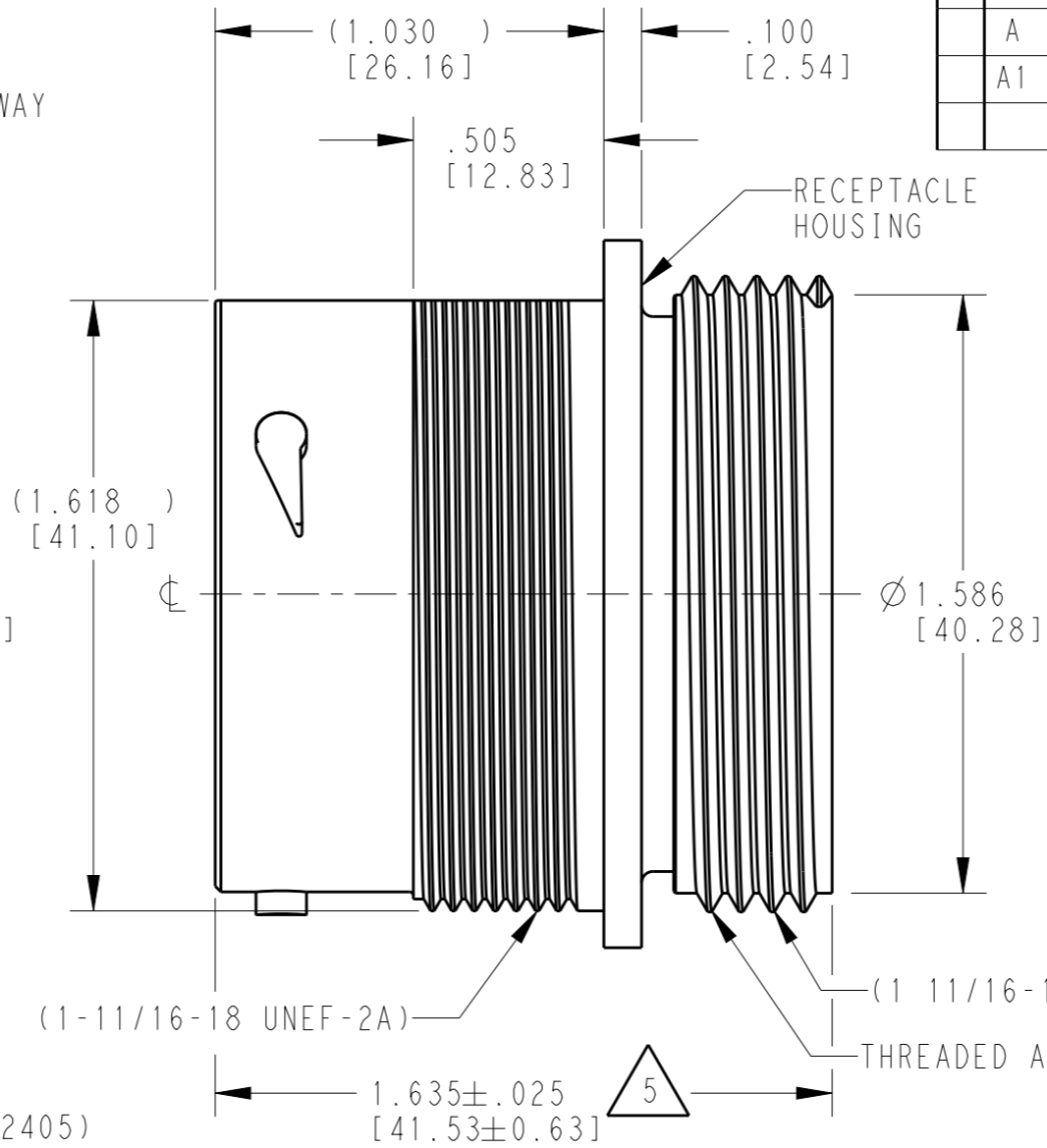
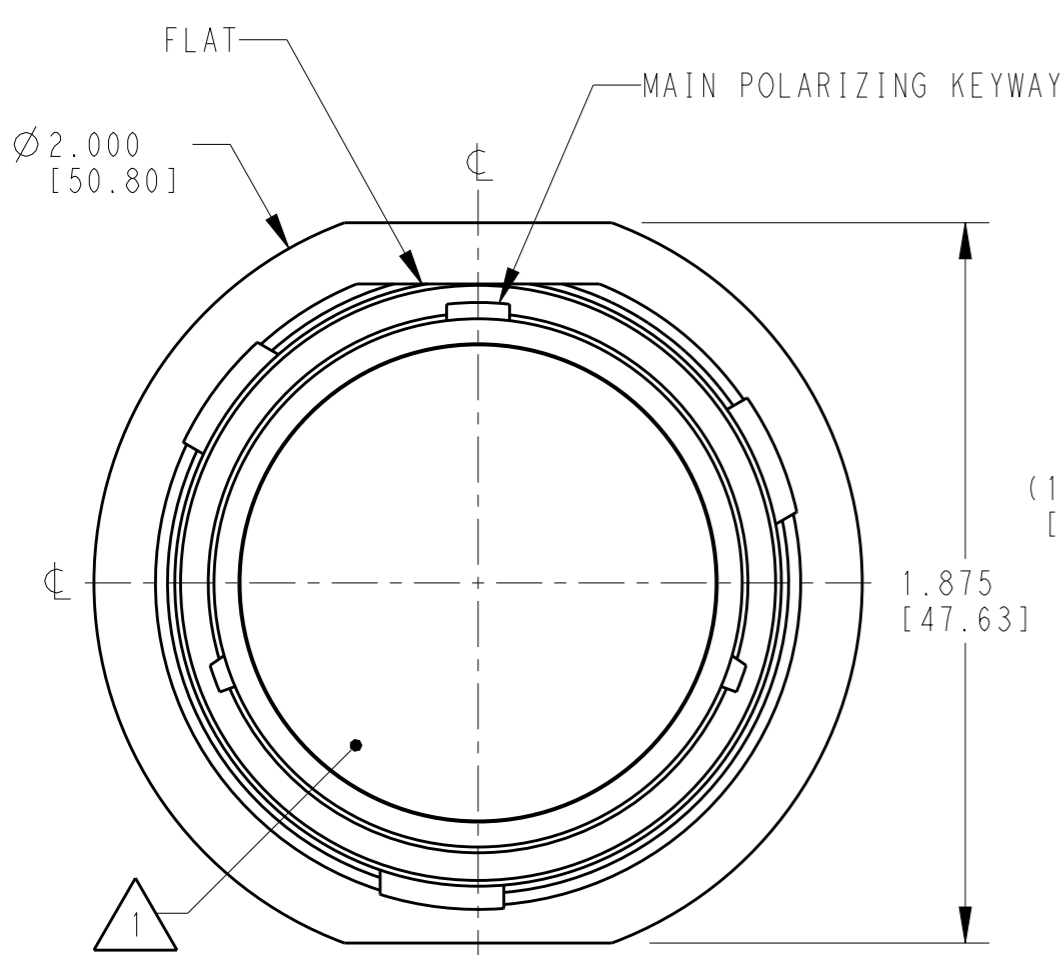


THIS DRAWING IS UNPUBLISHED
 RELEASED FOR PUBLICATION 2015
 © COPYRIGHT 2012 BY TE CONNECTIVITY ALL RIGHTS RESERVED.

LOC	DIST	REVISIONS			
P	LTR	DESCRIPTION	DATE	DWN	APVD
		NC	NEW RELEASE PER E.O. P21414	24AUG2012	IG DM
		A	REVISED PER ECO-14-019072	23FEB2015	JA DM
		A1	REVISED PER ECO-16-013285	08SEP2016	DD DM



- 6. RECEPTACLE IS SUPPLIED WITH DUST CAP (2415-001-2405)
- 5. NOTED DIMENSION DOES NOT INCLUDE GROMMET PROTRUSION.
- 4. MATERIAL: RECEPTACLE HOUSING: PA66 GF10 (BLACK)
 THREADED ADAPTER: PA66 GF10 (GREEN, GRAY, BLUE)
 GROMMET: SILICONE (ORANGE-RED)
- 3. SEE 0425-021-0000 APPLICATION SPECIFICATION
 A. RECOMMENDED WIRE INSULATION RANGE
 B. CONTACT REMOVAL TOOLS
 C. RECOMMENDED MOUNTING HOLE & PANEL THICKNESS
 D. MOUNTING HARDWARE & MOUNTING TORQUE.

- 8. DATE CODE: IDENTIFIES THE YEAR, MONTH, DAY AND HOUR OF ASSEMBLY.
 YEAR: FIRST AND SECOND DIGITS. (14 = 2014)
 MONTH: THIRD DIGIT, EXCLUDING I. A = JAN., B = FEB., C = MARCH... (K = OCTOBER)
 DAY: FOURTH AND FIFTH DIGITS (14 = 14th DAY)
 HOUR: SIXTH AND SEVENTH DIGITS (11 = 11AM)
- 7. PART MODIFICATION: THREADED ADAPTER
 ACCEPT BACKSHELL: 2428-024-2405

- 2. THIS RECEPTACLE MATES WITH HDP26-24-XXP/SX-XXXX PLUG
 X = SEAL TYPE (N,T,E)
 XX = INSERT ARRANGEMENT
 XXXX = MODIFICATION
- 1. SEE CUSTOMER DRAWING, 0425-014-2400 FOR AVAILABLE INSERT ARRANGEMENTS AND PART NUMBERS.

NOTES:

THIS DRAWING IS A CONTROLLED DOCUMENT.		DWN 13 JUL 2012 ILINA GRANICHAROVA		TE Connectivity	
DIMENSIONS: INCHES [mm]		CHK 23 AUG 2012 ILINA GRANICHAROVA			
TOLERANCES UNLESS OTHERWISE SPECIFIED:		APVD 23 AUG 2012 DAVID MEYER		NAME RECEPTACLE, THREADED SIZE 24, -L024 MOD HDP SERIES	
0 PLC ± 1 PLC ± 2 PLC ± 3 PLC ±.015 [0.38] 4 PLC ± ANGLES ±0°30'0"		PRODUCT SPEC 0425-021-0000		APPLICATION SPEC 3	
MATERIAL 4		FINISH N/A		WEIGHT	
		Customer Drawing		SCALE 2:1 SHEET 1 OF 1 REV A1	

Mouser Electronics

Authorized Distributor

Click to View Pricing, Inventory, Delivery & Lifecycle Information:

[TE Connectivity:](#)

[YHDP24-24-47PEL024](#)