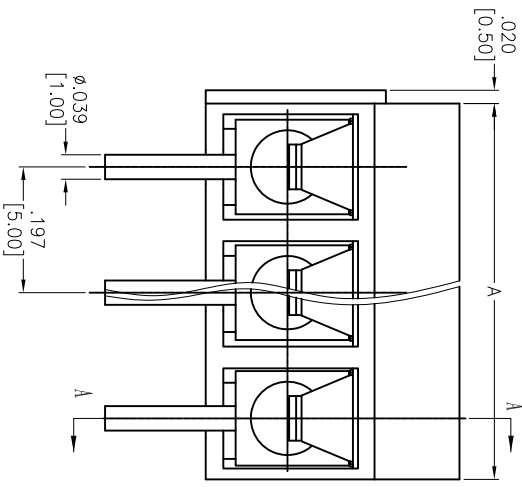
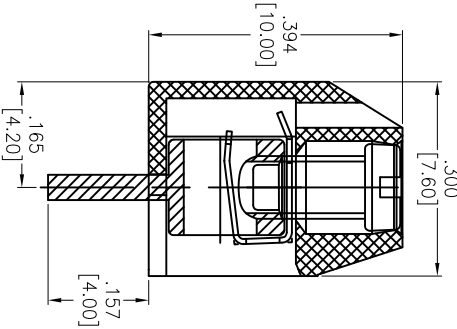
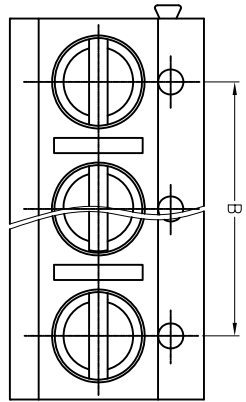
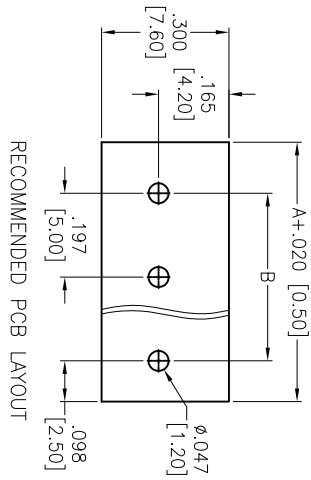


Rev	AWO #	Description	Date	Appr
-		RELEASED	9/29/14	

APPROVED: _____
 DATE: _____ TITLE: _____



SPECIFICATIONS:

Material:
 Insulator: PBT, rated UL 94V-0
 Insulator color: Blue
 Screw: M2.5, Steel, Zinc plated.
 Contact: Brass, Tin plated.
 Shrapnel: Phosphor Bronze, Nickel plated
Electrical:
 Operation voltage: 250 VAC Max
 Current rating: 16 Amps Max
 Contact resistance: 20 mohms max
 Insulation resistance: 500 Mohms min @ 500 VDC
 Withstanding voltage: 2,000 VAC for 1 minute
Mechanical:
 Torque: 3.6lb-in, 0.4N-m
 Wire Range: 22-14AWG, 1.5mm²
 Strip Length: 6-7mm
Environmental:
 Operating temperature: -40°C to +105°C
 Lead free, RoHS compliant.



Positions: 2 thru 24
 A = .197 [5.00] x No. of Positions
 B = .197 [5.00] x No. of Spoces

UNLESS OTHERWISE SPECIFIED
 ALL DIMENSIONS ARE INCHES [MM]
 TOLERANCES: EXCEPT AS NOTED
 INCHES HOLE SIZES
 .X ±.10 ØXX ±.10
 .XX ±.020 ØXXX ±.015
 .XXX ±.015 ØXXXX ±.010

ADAM TECH
 909 Rahway Avenue, Union, NJ 07083
 Phone: 908-687-5000 Fax: 908-687-5710

APPROVALS	DATE	TITLE
DRAWN AY	9/29/14	EURO BLOCK, .197 [5.00] PITCH, SLOTTED SCREW
CHECKED GC	9/29/14	
APPROVED		

SIZE	PART NO.	REV.
X	EBBA-XX-C-SS-BU	-

SCALE	SHEET	OF	1
NTS	1	1	1