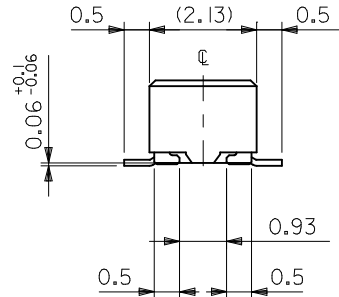
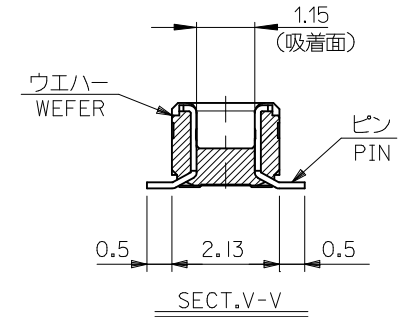


注記 NOTES:

1. 使用材料 MATERIAL
 ウェハー: 液晶ポリマー (LCP) ガラス充填 UL94V-0 (黒)
 WAFER: LIQUID CRYSTAL POLYMER (GLASS FILLED)
 UL94V-0 (COLOR: BLACK)
 ピン: 黄銅 (t=0.12)
 PIN: BRASS (t=0.12)
 金具: リン青銅 (t=0.2)
 FITTING NAIL: PHOSPHOR BRONZE (t=0.2)
2. メッキ仕様 PLATING
 ピン PIN
 金メッキ 0.2 マイクロメートル以上 (コンタクト部)
 GOLD 0.2MICROMETER MINIMUM (CONTACT AREA)
 金メッキ 0.4 マイクロメートル以下 (テール部)
 GOLD 0.4MICROMETER MAXIMUM (TAIL AREA)
 下地メッキ: ニッケルメッキ 1.5 マイクロメートル以上
 UNDER PLATING: NICKEL 1.5MICROMETER MINIMUM
 金具 FITTING NAIL
 錫メッキ 1.0 マイクロメートル以上
 TIN PLATING 1.0MICROMETER MINIMUM
 下地メッキ: ニッケルメッキ 1.0 マイクロメートル以上
 UNDER PLATING: NICKEL 1.0MICROMETER MINIMUM

- ③ (全極数/2) = 偶数の場合に適用。
 APPLY FOR (CIRCUIT/2)=EVEN.
4. 嵌合相手: 51338シリーズ, 500913シリーズ
 MATE WITH: 51338 SERIES, 500913SERIES.
5. テール平坦度は、0.08以下
 テール及び金具の平坦度は、0.1以下
 TAIL COPLANARITY TO BE 0.08MAXIMUM
 TAIL AND FITTING NAIL
 COPLANARITY TO BE 0.1 MAXIMUM
6. ELV 及び RoHS 適合品
 ELV AND RoHS COMPLIANT.

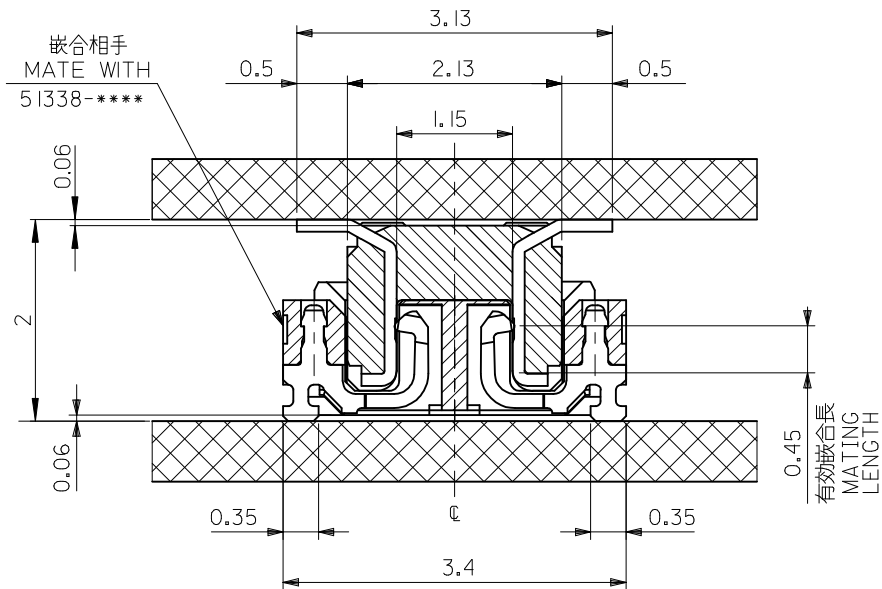


-	O	17.2	15.6	18.0	501745-0801	80
O	O	15.2	13.6	16.0	501745-0701	70
O	O	13.2	11.6	14.0	501745-0601	60
-	O	12.0	10.4	12.8	501745-0541	54
O	O	11.2	9.6	12.0	501745-0501	50
O	O	9.2	7.6	10.0	501745-0401	40
-	O	8.0	6.4	8.8	501745-0341	34
O	O	7.2	5.6	8.0	501745-0301	30
-	O	3.6	2.0	4.4	501745-9901	12
2.3	2.0	C		B	A	EMBOSSED PACKAGE
MATED HEIGHT		C		B	A	ORDER NO. オーダー番号
					CONNECTOR SERIES No.	501745-***0

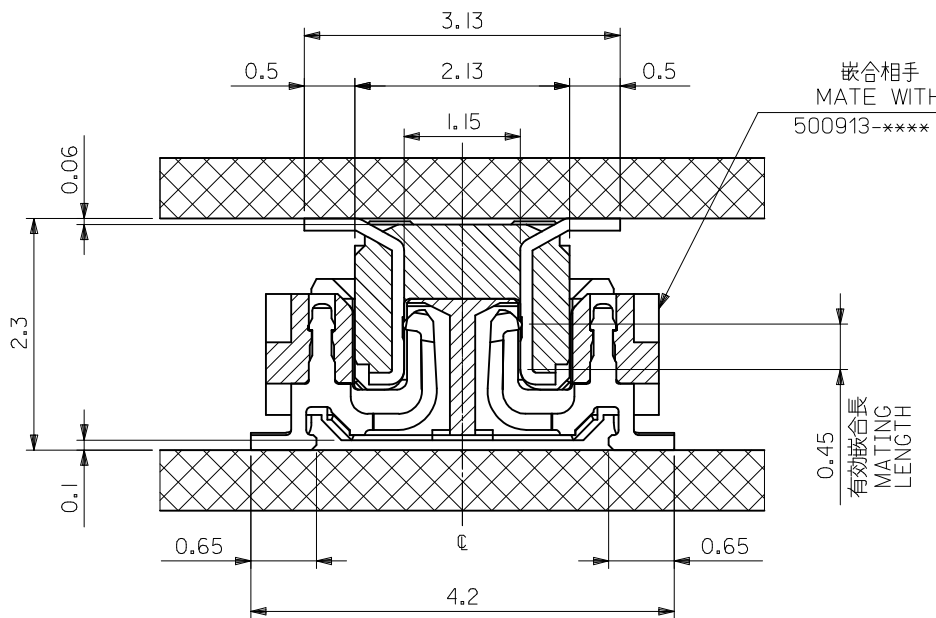
REVISED EC NO: J2015-0594 DRWN: YSATO06 CHKD: TASAKAWA APPR: KMORIKAWA	2014/10/31 2014/11/05 2014/11/06	DESCRIPTION REV	GENERAL TOLERANCES (UNLESS SPECIFIED)		DIMENSION STYLE MM ONLY		SCALE ---	DESIGN UNITS METRIC		THIRD ANGLE PROJECTION	
			10 UNDER	±0.2	DRAWN BY K. SAITO	DATE 2007/03/01	TITLE 0.4 B-TO-B CONN. PLUG ASSY (HGT=2/2.3) WITH NAIL				
			10 OVER 30 UNDER	±0.25	CHECKED BY K. KASAHARA	DATE 2007/03/01					
			30 OVER	±0.3	APPROVED BY N. UKITA	DATE 2007/03/01					
ANGULAR ±3 °		DRAFT WHERE APPLICABLE MUST REMAIN WITHIN DIMENSIONS		MATERIAL NO. SEE CHART		DOCUMENT NO. SD-501745-001		SHEET NO. 1 OF 2			
THIS DRAWING CONTAINS INFORMATION THAT IS PROPRIETARY TO MOLEX INCORPORATED AND SHOULD NOT BE USED WITHOUT WRITTEN PERMISSION											

10 9 8 7 6 5 4 3 2 1

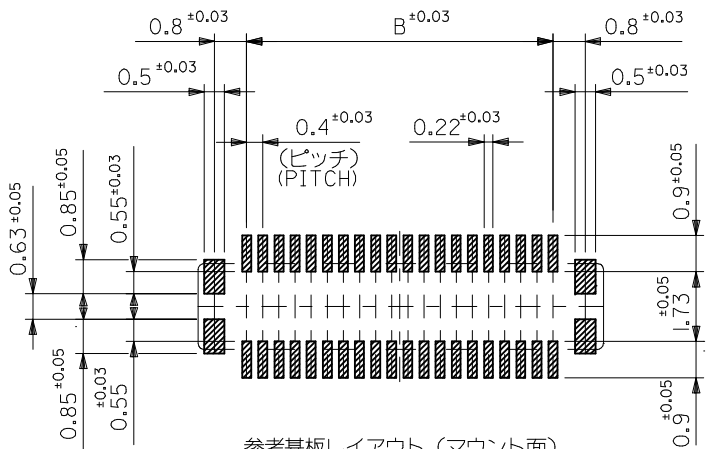
F



嵌合断面図 (参考)
MATED DRAWING (REFERENCE)



嵌合断面図 (参考)
MATED DRAWING (REFERENCE)



参考基板レイアウト (マウント面)
P.C.BOARD PATTERN DIMENSION.
(REFERENCE)
(MOUNTING AREA)

REVISED	EC NO: J2015-0594	2014/10/31
	DRWN: YSATO06	2014/11/05
	CHKD: TASAKAWA	2014/11/06
	APPR: KMORIKAWA	
REV	DESCRIPTION	

GENERAL TOLERANCES (UNLESS SPECIFIED)	
10 UNDER	±0.2
10 OVER 30 UNDER	±0.25
30 OVER	±0.3
ANGULAR ±3 °	
DRAFT WHERE APPLICABLE MUST REMAIN WITHIN DIMENSIONS	

DIMENSION STYLE	
MM ONLY	
DRAWN BY	DATE
K. SAITO	2007/03/01
CHECKED BY	DATE
K. KASAHARA	2007/03/01
APPROVED BY	DATE
N. UKITA	2007/03/01
MATERIAL NO.	
SEE CHART 1	
SIZE	
A3	

CONNECTOR SERIES No.		501745-***0
SCALE	DESIGN UNITS	THIRD ANGLE PROJECTION
---	METRIC	
TITLE		
0.4 B-TO-B CONN. PLUG ASSY (HGT=2/2.3) WITH NAIL		
DOCUMENT NO.		SHEET NO.
SD-501745-001		2 OF 2
THIS DRAWING CONTAINS INFORMATION THAT IS PROPRIETARY TO MOLEX INCORPORATED AND SHOULD NOT BE USED WITHOUT WRITTEN PERMISSION		

F

E

D

C

B

A

9 8 7

6

5

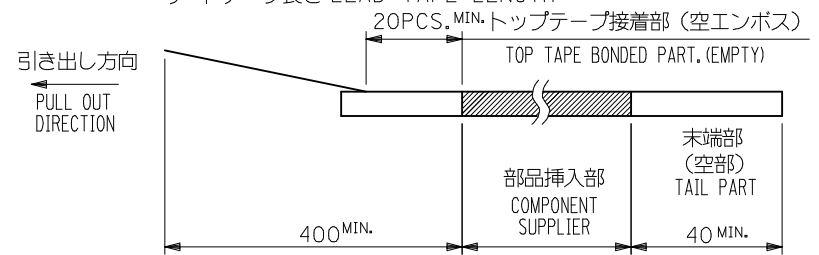
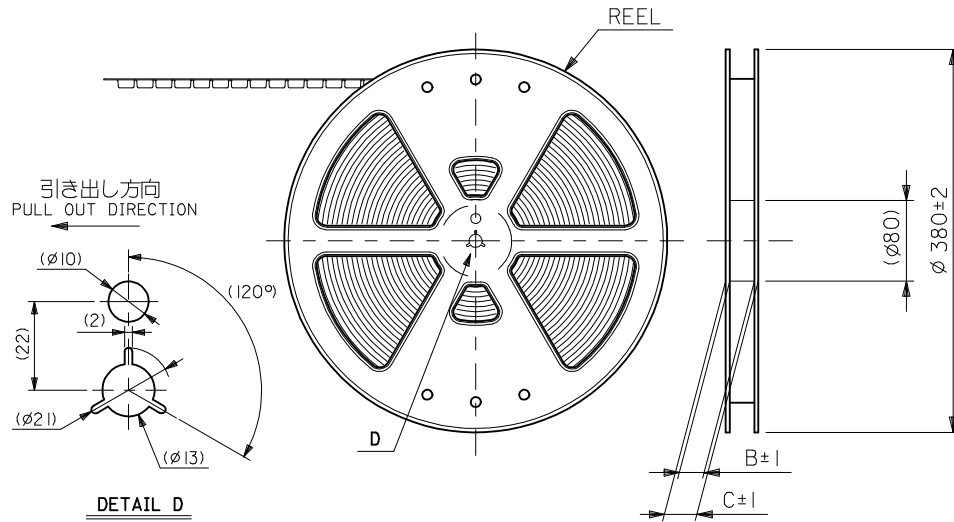
4

3

2

NOTES

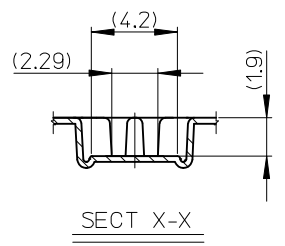
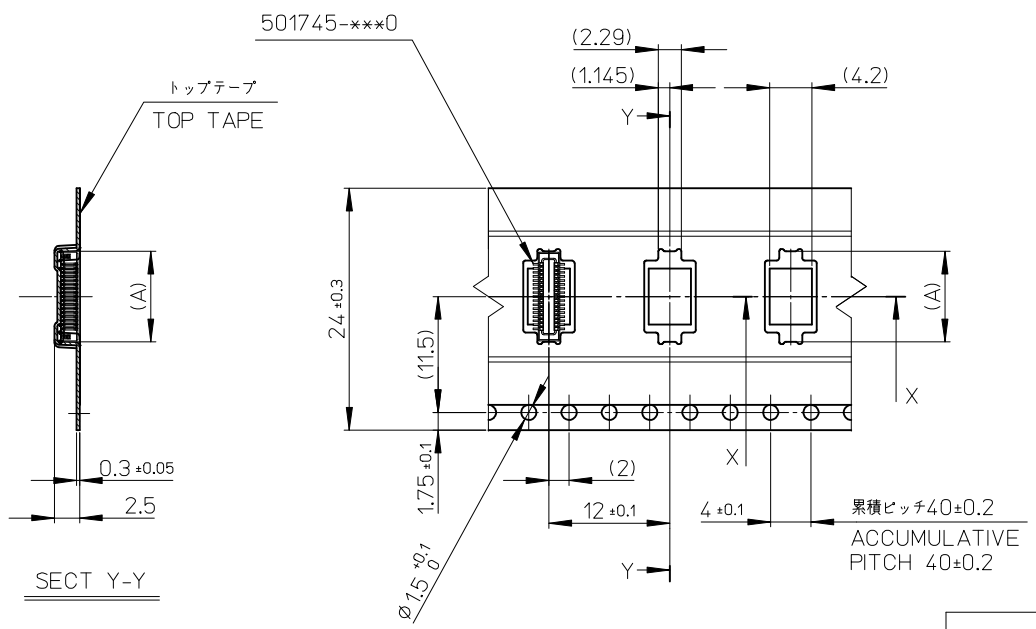
- 製品詳細寸法については製品単体図面を参照下さい。
RE DETAILED DIMENSION, SEE PRODUCT DRAWING.
- 梱包数量：2500個/リール
NUMBER OF CONNECTORS : 2500PCS/REEL
- リードテープ長さ LEAD TAPE LENGTH



- 材料 MATERIAL
キャリアテープ (CARRIER TAPE) : ホリスチレン (POLYSTYRENE) (30-80CKT)
ポリプロピレン (POLYPROPYLENE) (12CKT)
トップテープ (TOP TAPE) : PET, PE, PEF
リール (REEL) : ホリスチレン (PS) <リサイクル材を含む>
POLYSTYRENE (PS) <RECYCLE MATERIAL CONTAINED>
- ELV 及び RoHS 適合品
ELV AND RoHS COMPLIANT.

REVISED EC NO: J2014-1234 2014/02/05 DRWN:YSATO06 CHKD:TASAKAWA 2014/05/09 APPR:KMORIKAWA 2014/05/12	DESCRIPTION REV	GENERAL TOLERANCES (UNLESS SPECIFIED)		DIMENSION STYLE MM ONLY		SCALE ---	DESIGN UNITS METRIC	THIRD ANGLE PROJECTION		
		10 UNDER	±0.2	DRAWN BY K. SAITO	DATE 2007/03/01	TITLE 0.4 B/B CONN. PLUG ASSY (HGT=2/2.3) EMBSTP PKG				
		10 OVER 30 UNDER	±0.25	CHECKED BY K. KASAHARA	DATE 2007/03/01					
		30 OVER	±0.3	APPROVED BY N. UKITA	DATE 2007/03/01					
ANGULAR ±3 °		DRAFT WHERE APPLICABLE MUST REMAIN WITHIN DIMENSIONS		MATERIAL NO. SEE CHART		DOCUMENT NO. SD-501745-002		SHEET NO. 1 OF 4		
				SIZE A3		THIS DRAWING CONTAINS INFORMATION THAT IS PROPRIETARY TO MOLEX INCORPORATED AND SHOULD NOT BE USED WITHOUT WRITTEN PERMISSION				

引き出し方向
PULL OUT
DIRECTION

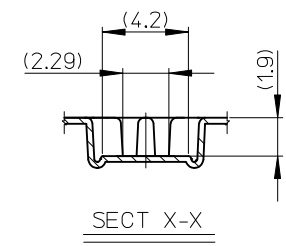
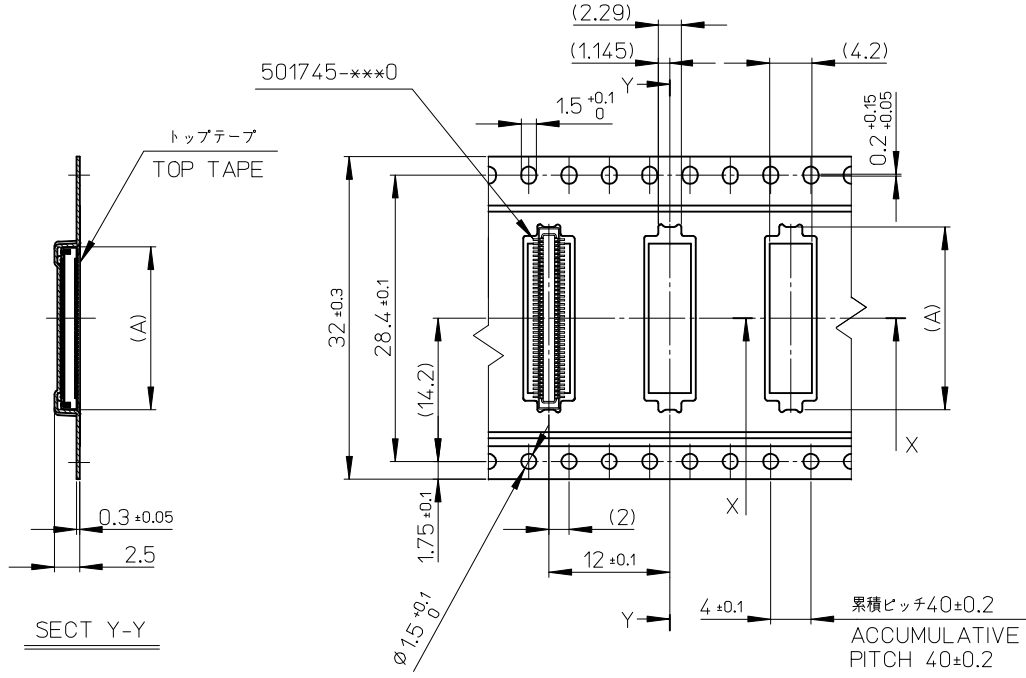


SECT Y-Y

24	29.4	25.4	14.16	501745-0601	60
			12.96	501745-0541	54
			12.16	501745-0501	50
			10.16	501745-0401	40
			8.96	501745-0341	34
			8.16	501745-0301	30
キャリアテープ幅 CARRIER TAPE WIDTH	C	B	(A)	オーダー番号 ORDER NO.	極数 CKT.

REVISED EC NO: J2014-1234 DRWN: YSAI006 CHKD: TASAKAWA APPR: KMORIKAWA 2014/02/05 2014/05/09 2014/05/12	GENERAL TOLERANCES (UNLESS SPECIFIED)	DIMENSION STYLE MM ONLY	SCALE ---	DESIGN UNITS METRIC	CONNECTOR SERIES No. 501745-***0
	10 UNDER ± 0.2	DRAWN BY K. SAITO	DATE 2007/03/01	TITLE 0.4 B/B CONN. PLUG ASSY (HGT=2/2.3) EMBSTP PKG	THIRD ANGLE PROJECTION
	10 OVER 30 UNDER ± 0.25	CHECKED BY K. KASAHARA	DATE 2007/03/01	molex	
	30 OVER ± 0.3	APPROVED BY N. UKITA	DATE 2007/03/01		DOCUMENT NO. SD-501745-002
ANGULAR ± 3 °	DRAFT WHERE APPLICABLE MUST REMAIN WITHIN DIMENSIONS		SEE CHART		
REV	SIZE A3		THIS DRAWING CONTAINS INFORMATION THAT IS PROPRIETARY TO MOLEX INCORPORATED AND SHOULD NOT BE USED WITHOUT WRITTEN PERMISSION		

引き出し方向
PULL OUT
DIRECTION

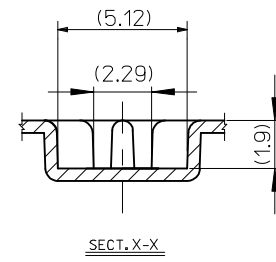
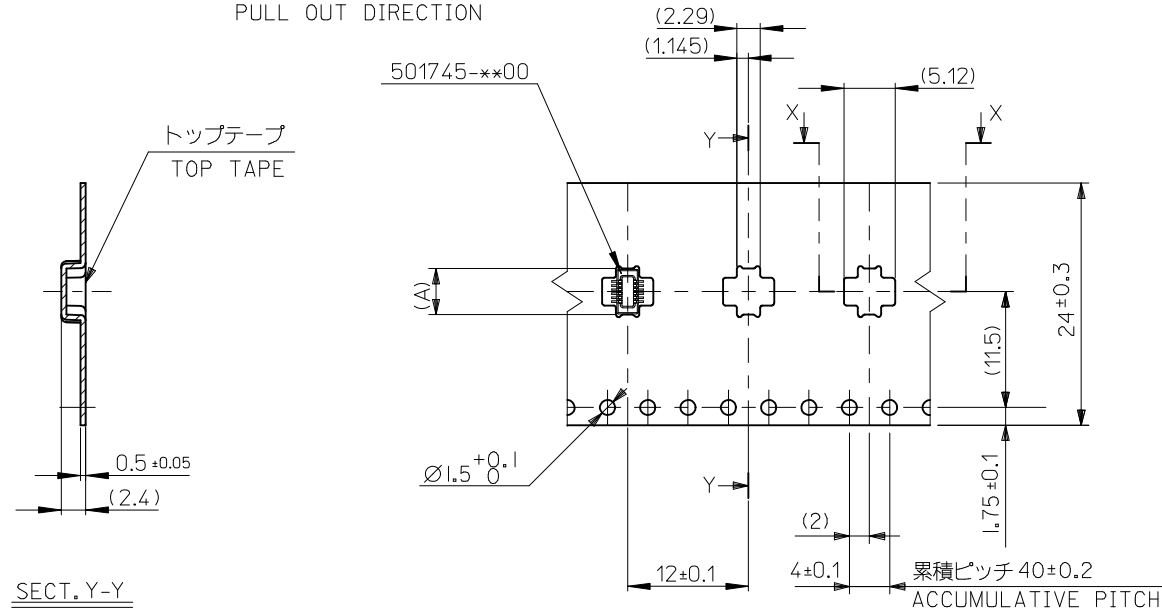


32	37.4	33.4	18.16	501745-0801	80
			16.16	501745-0701	70
キャリアテープ幅 CARRIER TAPE WIDTH	C	B	(A)	オーダー番号 ORDER NO.	極数 CKT.

CONNECTOR SERIES No. | 501745-***0

REVISED EC NO: J2014-1234 DRWN: YSAI006 CHKD: TASAKAWA APPR: KMORIKAWA 2014/02/05 2014/05/09 2014/05/12	GENERAL TOLERANCES (UNLESS SPECIFIED)		DIMENSION STYLE MM ONLY		SCALE ---	DESIGN UNITS METRIC		THIRD ANGLE PROJECTION	
	10 UNDER	± 0.2	DRAWN BY K. SAITO	DATE 2007/03/01	TITLE 0.4 B/B CONN. PLUG ASSY (HGT=2/2.3) EMBSTP PKG				
	10 OVER 30 UNDER	± 0.25	CHECKED BY K. KASAHARA	DATE 2007/03/01	molex DOCUMENT NO. SD-501745-002 SHEET NO. 3 OF 4				
	30 OVER	± 0.3	APPROVED BY N. UKITA	DATE 2007/03/01					
ANGULAR	± 3 °	MATERIAL NO. SEE CHART			THIS DRAWING CONTAINS INFORMATION THAT IS PROPRIETARY TO MOLEX INCORPORATED AND SHOULD NOT BE USED WITHOUT WRITTEN PERMISSION				
DRAFT WHERE APPLICABLE MUST REMAIN WITHIN DIMENSIONS									

引き出し方向
PULL OUT DIRECTION



注記) 製品がポケット内に問題なく収まること。
NOTE. Pocket should contain product smoothly.

24	29.4	25.4	4.56	501745-9901	12
キャリアテープ幅 CARRIER TAPE WIDTH	C	B	(A)	オーダー番号 ORDER NO.	極数 CKT.

REVISED EC NO: J2014-1234 DRWN: YSATO06 CHKD: TASAKAWA APPR: KMORIKAWA	2014/02/05 2014/05/09 2014/05/12	GENERAL TOLERANCES (UNLESS SPECIFIED)		DIMENSION STYLE MM ONLY		SCALE 1:1		DESIGN UNITS METRIC		CONNECTOR SERIES No. 501745-***0	
		10 UNDER ±0.2		DRAWN BY KTOYODA		DATE 2011/03/22		TITLE 0.4 B/B CONN. PLUG ASSY (HGT=2/2.3) EMBSTP PKG		THIRD ANGLE PROJECTION	
		10 OVER 30 UNDER ±0.25		CHECKED BY		DATE		molex			
		30 OVER ±0.3		APPROVED BY MSASAO		DATE 2011/03/28				DOCUMENT NO. SD-501745-002	
ANGULAR ±1 °		DRAFT WHERE APPLICABLE MUST REMAIN WITHIN DIMENSIONS		MATERIAL NO. SEE CHART		THIS DRAWING CONTAINS INFORMATION THAT IS PROPRIETARY TO MOLEX INCORPORATED AND SHOULD NOT BE USED WITHOUT WRITTEN PERMISSION					