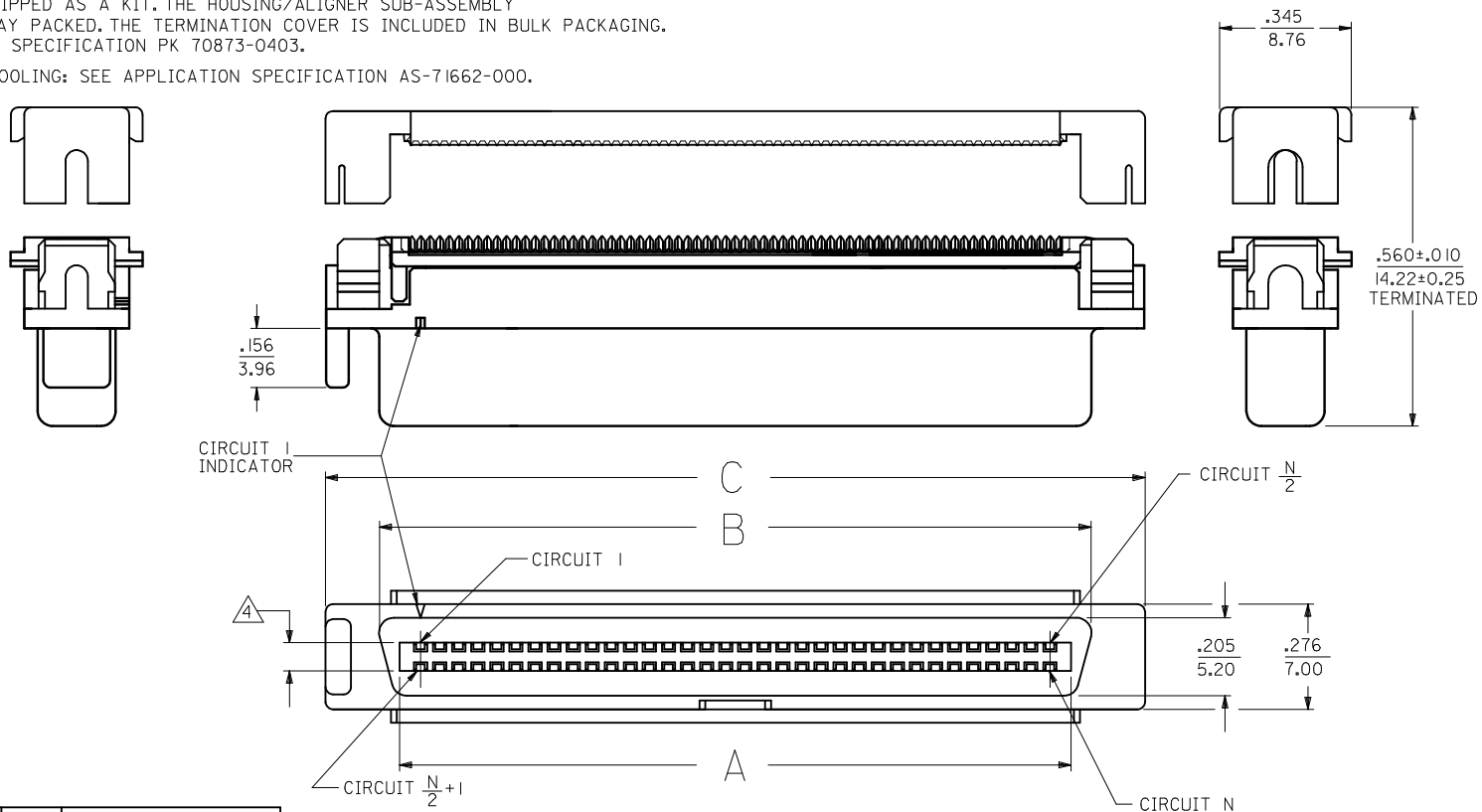


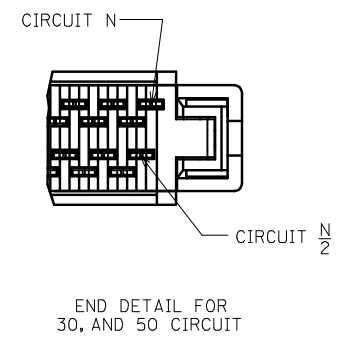
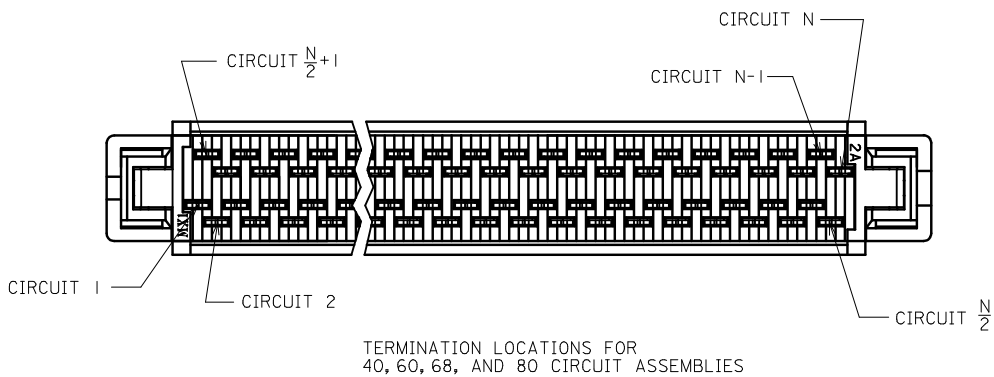
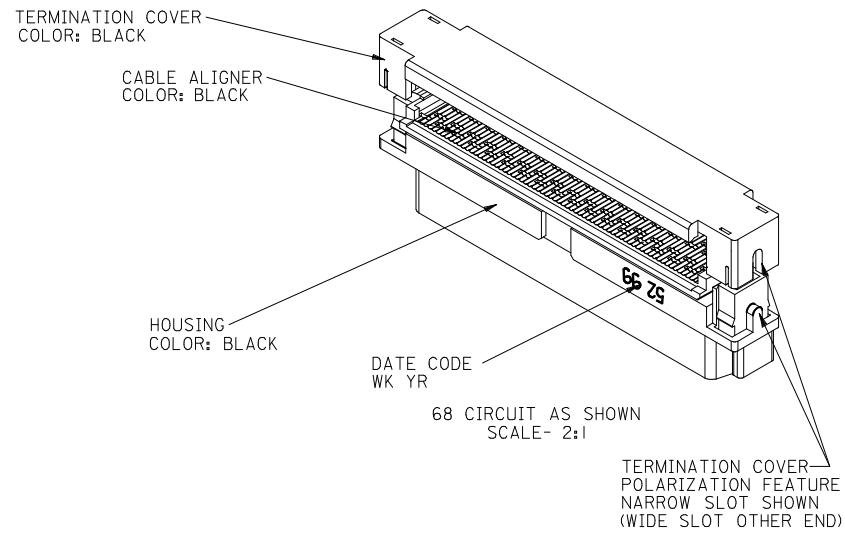
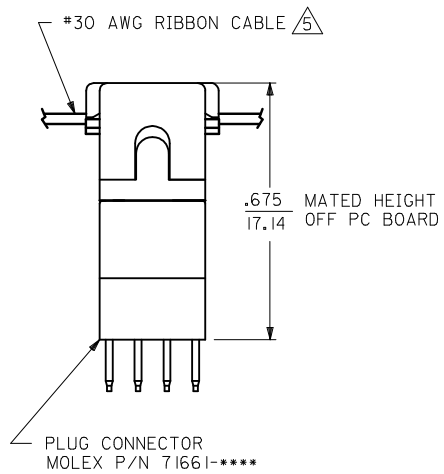
NOTES:

- 1) MATERIALS:
HOUSING- LCP, GLASS FILLED, 94V-0, BLACK.
ALIGNER, TERMINATION COVER- POLYESTER, GLASS FILLED, 94V-0, BLACK.
TERMINALS- PHOSPHOR BRONZE ALLOY.
- 2) FINISH:
SELECTIVE GOLD IN CONTACT AREA
THICKNESS = 30 MICROINCHES / 0.763 MICROMETERS
SELECTIVE TIN IN IDT AREA
THICKNESS = 50 MICROINCHES / 1.27 MICROMETERS
NICKEL UNDERPLATE OVERALL.
- 3) PRODUCT SPECIFICATION: PS-71660.
- 4) ASSEMBLY MATES WITH MOLEX P/N 71661-****.
CONNECTOR WILL ACCEPT MATING TO A P.C. BOARD WITH
A THICKNESS OF .062±.003.
- 5) CONNECTOR WILL TERMINATE .025 ϕ FLAT RIBBON CABLES OF THE FOLLOWING CONSTRUCTION:
#30 AWG STRANDED OR SOLID, PVC INSULATION.
#30 AWG SOLID, FEP INSULATION.
- 6) PRODUCT IS SHIPPED AS A KIT. THE HOUSING/ALIGNER SUB-ASSEMBLY
IS SHIPPED TRAY PACKED. THE TERMINATION COVER IS INCLUDED IN BULK PACKAGING.
PER PACKAGING SPECIFICATION PK 70873-0403.
- 7) APPLICATION TOOLING: SEE APPLICATION SPECIFICATION AS-71662-000.



2.445 (62.10)	2.166 (55.02)	2.025 (51.43)	80	71660-3580
2.145 (54.48)	1.866 (47.40)	1.725 (43.81)	68	71660-3568
1.945 (49.40)	1.666 (42.32)	1.525 (38.74)	60	71660-3560
1.695 (43.05)	1.416 (35.97)	1.275 (32.38)	50	71660-3550
1.445 (36.70)	1.166 (29.62)	1.025 (26.04)	40	71660-3540
1.195 (30.35)	.916 (23.27)	.775 (19.68)	30	71660-3530
C	B	A	CKT "N"	MATERIAL NUMBER

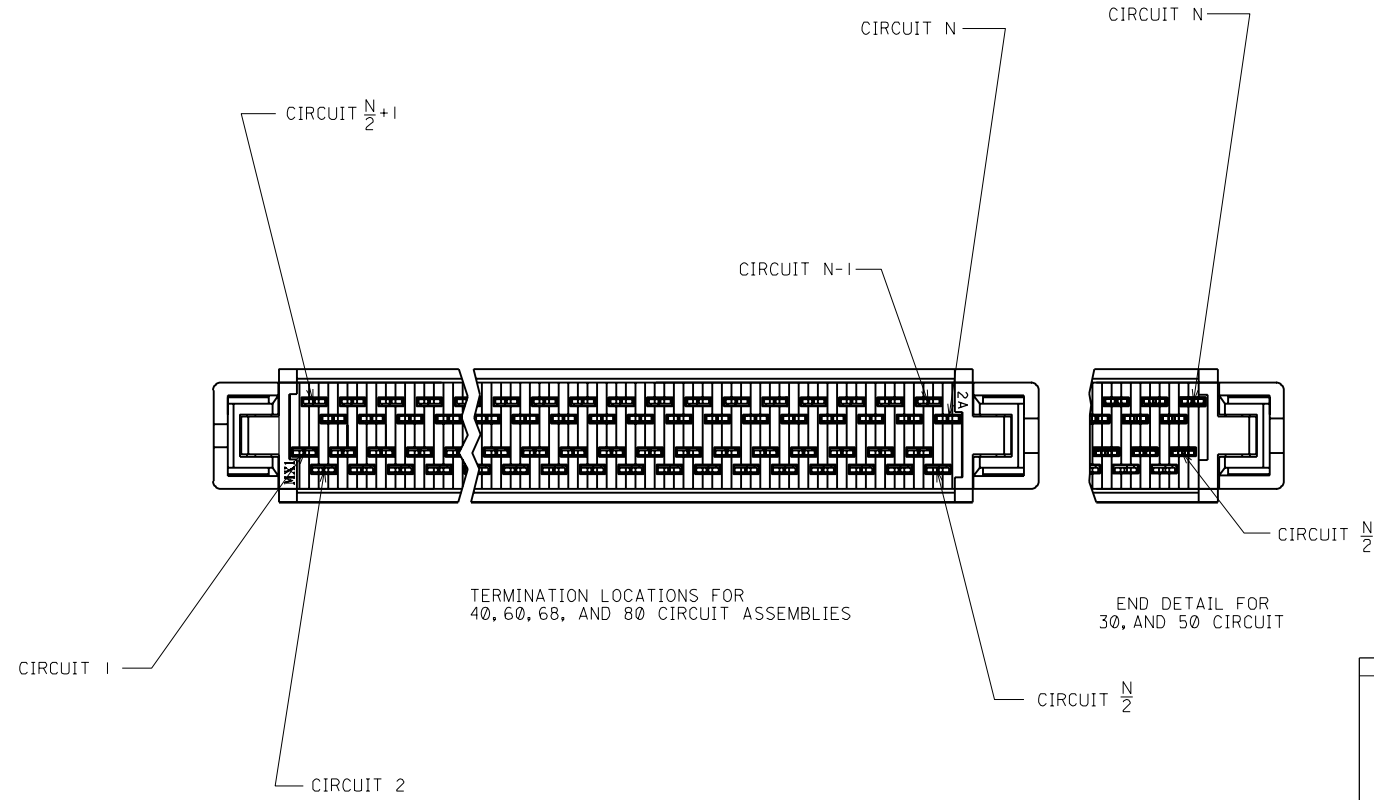
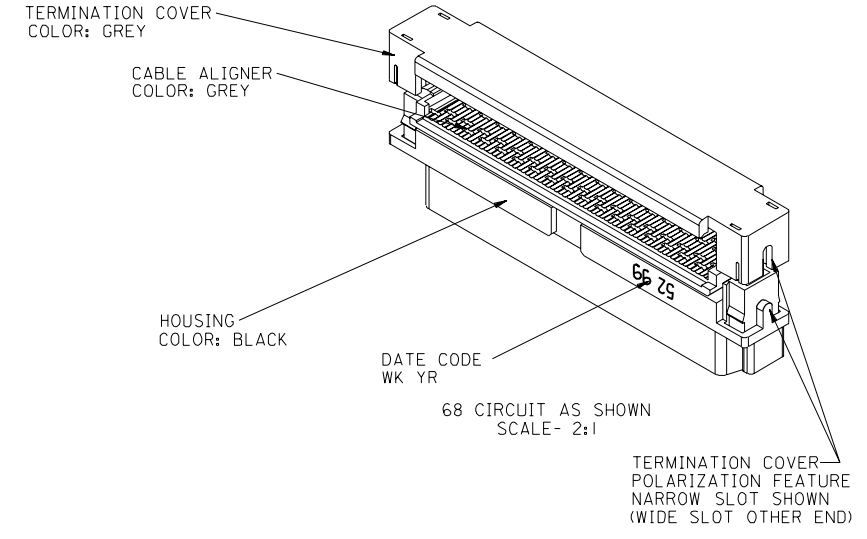
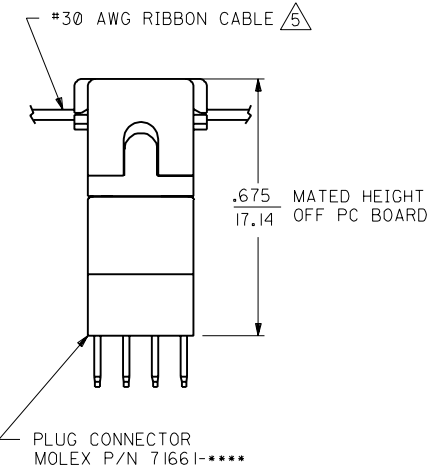
REV	DESCRIPTION	QUALITY SYMBOLS	GENERAL TOLERANCES (UNLESS SPECIFIED)		DIMENSION STYLE	SCALE	DESIGN UNITS	THIRD ANGLE PROJECTION
			mm	INCH	IN/MM	INCH		
			4 PLACES	± ---	± ---			SALES ASSEMBLY EBBI IDT RECEPTACLE
			3 PLACES	± ---	± .005			
			2 PLACES	± 0.13	± .010			
			1 PLACE	± 0.25	± ---			
			0 PLACE	± ---	± ---			
			ANGULAR ±1/2°					
			DRAFT WHERE APPLICABLE MUST REMAIN WITHIN DIMENSIONS		SIZE	SEE TABLE	DOCUMENT NO.	SHEET NO.
							SDA-71660-35**	1 OF 2



SEE SHEET 1 EC NO: UCP2016-1505 DRWN:BBARKER 2015/10/07 CHKD:DMORGAN APPR:SMILLER 2015/10/16	QUALITY SYMBOLS 	GENERAL TOLERANCES (UNLESS SPECIFIED) <table border="1"> <thead> <tr> <th></th> <th>mm</th> <th>INCH</th> </tr> </thead> <tbody> <tr> <td>4 PLACES</td> <td>± .005</td> <td>± .0005</td> </tr> <tr> <td>3 PLACES</td> <td>± .005</td> <td>± .0005</td> </tr> <tr> <td>2 PLACES</td> <td>± 0.13</td> <td>± .010</td> </tr> <tr> <td>1 PLACE</td> <td>± 0.25</td> <td>± .010</td> </tr> <tr> <td>0 PLACE</td> <td>± .005</td> <td>± .0005</td> </tr> </tbody> </table>		mm	INCH	4 PLACES	± .005	± .0005	3 PLACES	± .005	± .0005	2 PLACES	± 0.13	± .010	1 PLACE	± 0.25	± .010	0 PLACE	± .005	± .0005	DIMENSION STYLE IN/MM DRAWN BY DATE BBARKER 2015/10/07 CHECKED BY DATE DMORGAN 2015/10/07 APPROVED BY DATE SMILLER 2015/10/16	SCALE 4:1 DESIGN UNITS INCH THIRD ANGLE PROJECTION	TITLE SALES ASSEMBLY EBBI IDT RECEPTACLE
		mm	INCH																				
	4 PLACES	± .005	± .0005																				
	3 PLACES	± .005	± .0005																				
2 PLACES	± 0.13	± .010																					
1 PLACE	± 0.25	± .010																					
0 PLACE	± .005	± .0005																					
MATERIAL NO. SEE TBL, SHT 1	DOCUMENT NO. SDA-71660-35**	SHEET NO. 2 OF 2																					
DRAFT WHERE APPLICABLE MUST REMAIN WITHIN DIMENSIONS						THIS DRAWING CONTAINS INFORMATION THAT IS PROPRIETARY TO MOLEX INCORPORATED AND SHOULD NOT BE USED WITHOUT WRITTEN PERMISSION																	

13 12 11 10 9 8 7 6 5 4 3 2 1

71660



71660

A	SEE SHEET 1
---	-------------

DIMENSIONS SHOWN (METRIC) INCH		UNLESS OTHERWISE SPECIFIED TOLERANCES ANGULAR $\pm 1/2^\circ$		MFG. SH.	REV.	LTR.	REVISONS
3 PLACE	$\pm .005$	---		$\nabla = 1$	$\blacktriangledown = 6$	REVISE ONLY ON CAD SYSTEM	
2 PLACE	$\pm .01$	± 0.13		TITLE SALES ASSEMBLY EBBI VERTICAL IDT RECEPTACLE FOR PVC AND FEP RIBBON CA			
1 PLACE	---	± 0.25		FROM: MOLEX INCORPORATED SHEET NO. DATE L1SLE,ILL. 69532 U.S.A. 2 00/02/22			
DRAFT WHERE APPLICABLE MUST REMAIN WITHIN DIMENSIONS				PART NO. DRWG. NO.		SEE TABLE SDA-71660-35	
DRWG. BY: DGA	CHK'D. BY: DGA	SCALE: 4: 1	FILE NAME		THIS DRAWING CONTAINS INFORMATION THAT IS PROPRIETARY TO MOLEX INC. AND SHOULD NOT BE USED WITHOUT WRITTEN PERMISSION		SIZE: C C

13 12 11 10 9 8 7 6 5 4 3 2 1