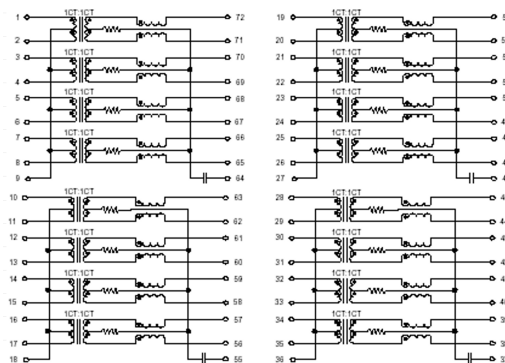
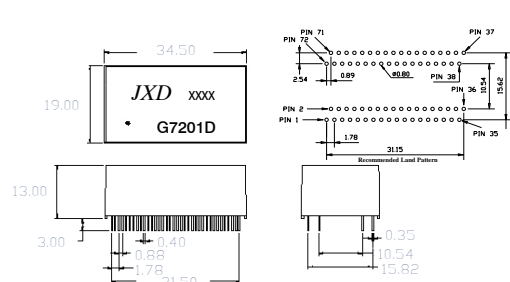


1. Designed for long haul Gigabit Ethernet 1000 Base-T, full duplex applications.
2. Supports four pairs of category 5 UTP cable.
3. Cable interface for isolation and low common mode emissions
4. Compliant with IEEE 802.3ab standard for 1000 Base-T
5. Operating Temperature range: 0 C TO +70 C
6. Storage temperature range: -25 C TO +125 C



DIMENSIONS & SCHEMATICS

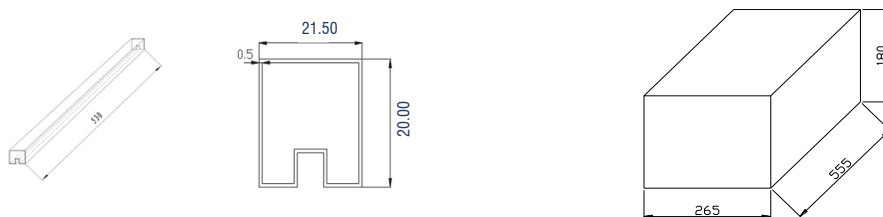


Note: 1. Dimension: mm; 2. Unless otherwise specified, tolerances are: $\pm 0.15\text{mm}$;

TECHNICAL SPECIFICATIONS

OCV :	350 μH Min. @ 100 KHz, 100mV with 8mA DC Bias
Leakage Inductance:	0.5 μH Max. @ 100KHz, 0.1V
Cw/w:	112pF Max. @ 100KHz, 0.1V
DCR:	1.20 Ω Max.
Turns Ratio($\pm 5\%$):	1CT:1(TX), 1CT:1(RX)
Polarity:	1-72, 3-70, 5-68, 7-66 In-Phase
Insertion Loss:	-1.1 dB Max. (TX & RX)@ 1-100 MHz
Return Loss:	-18 dB Min @ 0.5-30MHz -15 dB Min @ 40 MHz -13 dB Min @ 60 MHz -11 dB Min @ 80 MHz -10 dB Min. @ 100 MHz
Cross Talk:	-45 dB Min. @ 30 MHz -40 dB Min. @ 60 MHz -35 dB Min. @ 100 MHz
Common Mode Rejection :	-43 dB Min. @ 1-30 MHz -37 dB Min. @ 60 MHz -33 dB Min. @ 80-100 MHz
Isolation HI-POT:	1500Vrms 1mA 1Second

PACKING SPECIFICATION



1. units/reel:12PCS
2. reel/carton:100PCS
3. units/carton :1200PCS