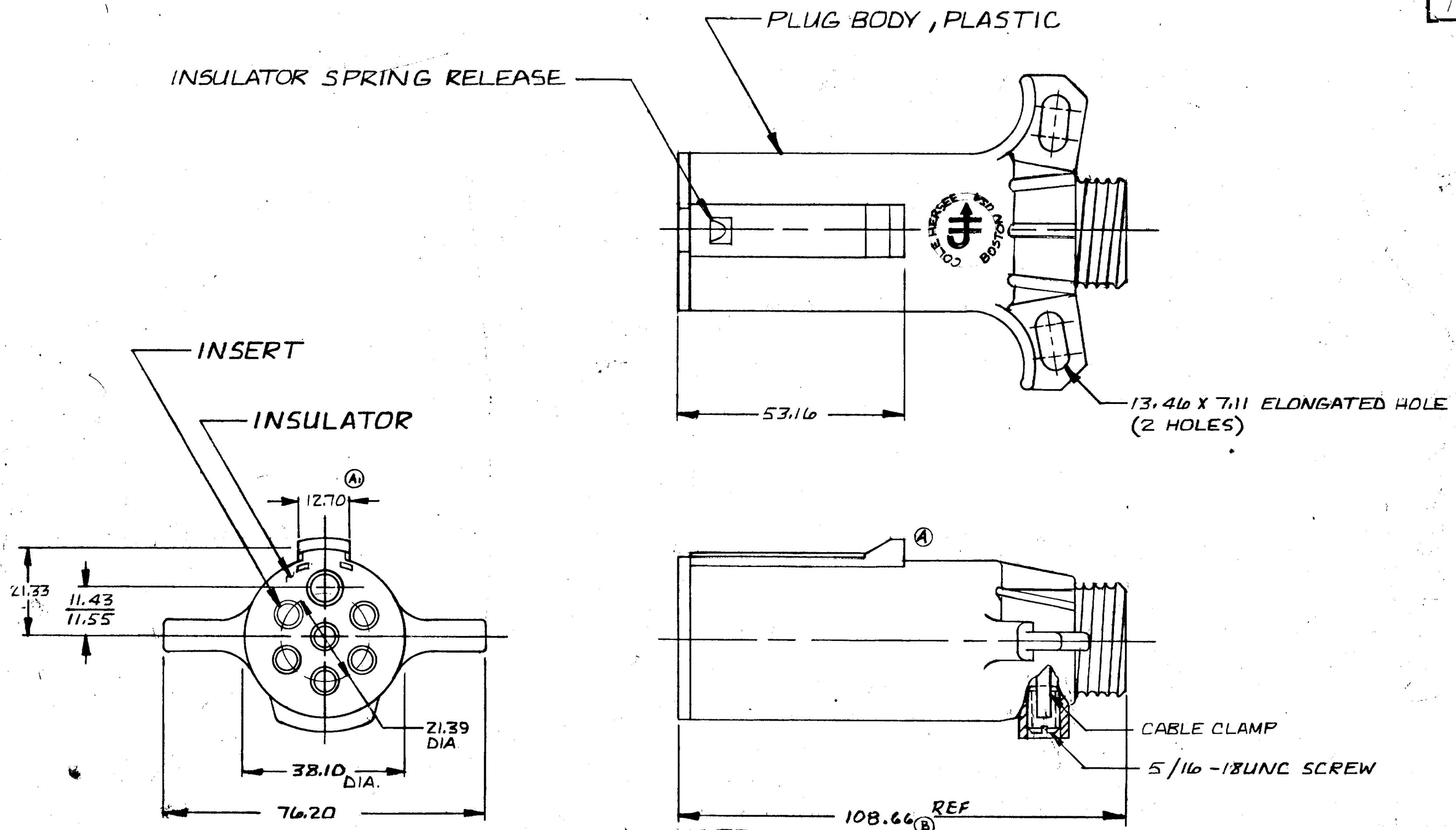


MM	IN
25	.010
7.11	.280
11.43	.450
11.55	.455
12.70	.500
13.46	.530
21.33	.840
21.39	.842
38.10	1.500
53.16	2.093
76.20	3.000
108.66	4.278

12081

COLE-HERSEE CO.



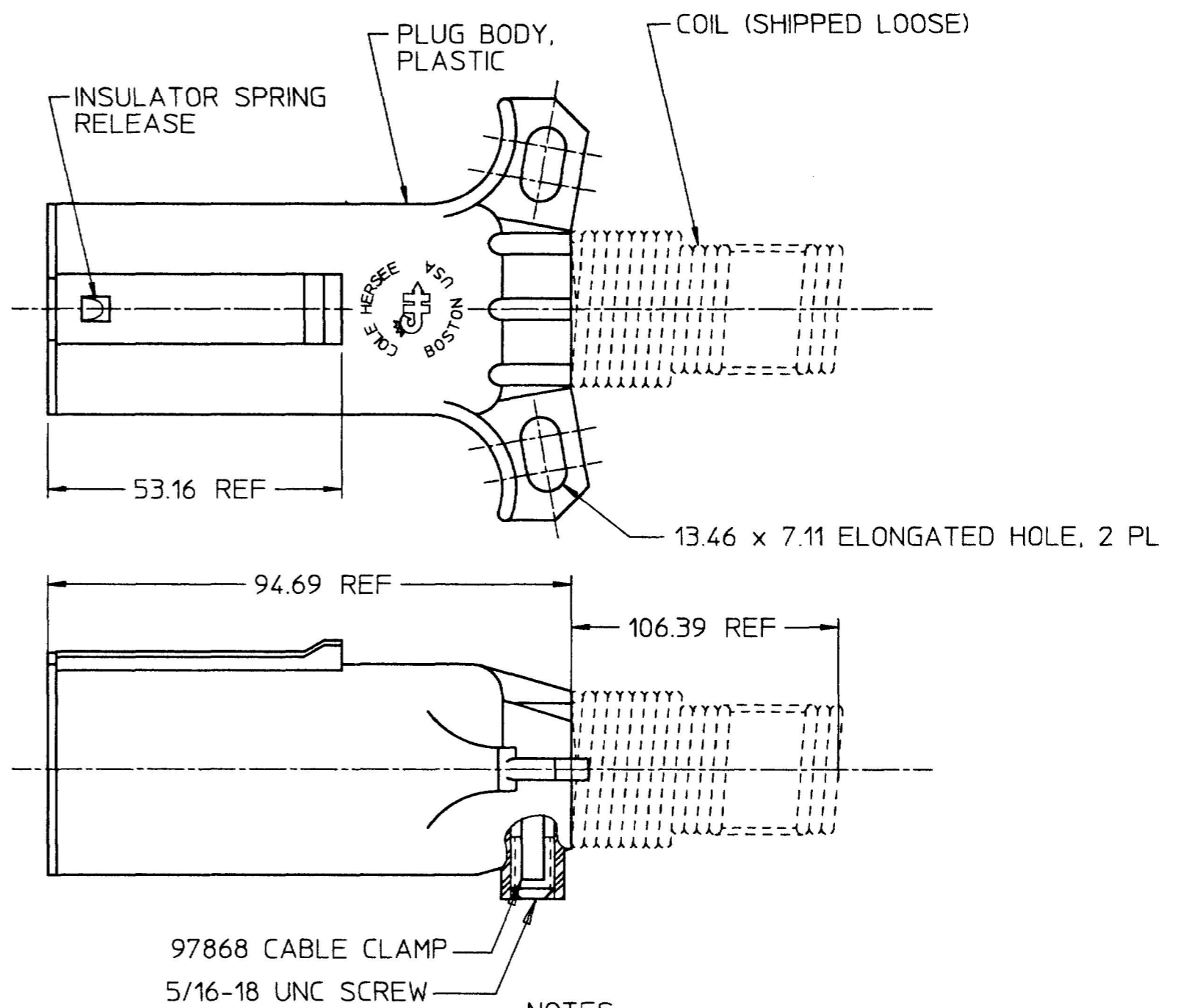
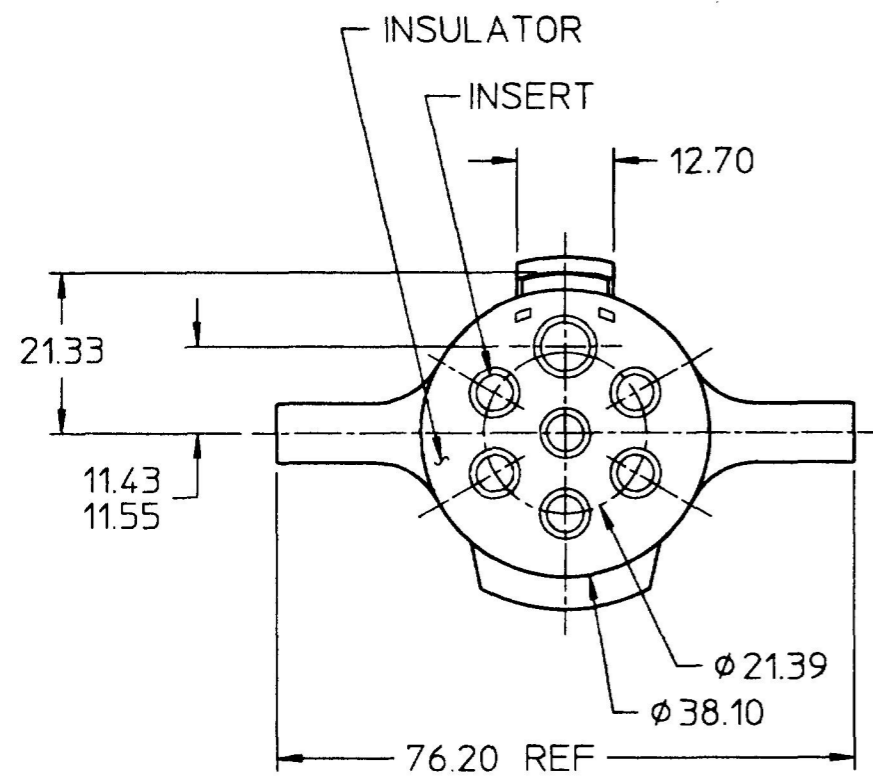
- © NOTES
1. CONFORMS TO S. A. E. STANDARD J560b
 2. CURRENT CARRYING INSERTS BRASS
 3. WILL ACCEPT UP TO #8 GA WIRE AT GROUND TERMINAL (WHITE) & UP TO #10 GA WIRE AT ALL OTHER TERMINALS

LET.	WAS	DATE	BY	LET.	WAS	DATE	BY	MATERIAL	DRAWN	CHECKED	APPR'D.	SCALE	DATE DRAWN
				C	ADDED NOTES	12-22-82	TJB	#	R	M+		1:1	1-12-82
				B	106.39 21847	11-5-82	RJR	FINISH					DATE BLUEPRINT
					ISSUES	10-25-82	RJR						
				A	REVISED KEYWAY	10-21-82	RJR	TOLERANCES					
				A1	ADDED DIM.	10-21-82	RJR	DECIMAL ±					
								METRIC ± .25					
												7 POLE PLUG ASS'Y	12081

METRIC

BRUNING 40-21 40164

MM	IN
7.11	0.280
11.43	0.450
11.55	0.455
12.70	0.500
13.46	0.530
21.33	0.840
21.39	0.842
38.10	1.500
53.16	2.093
76.20	3.000
94.69	3.728
106.39	4.228
5.0mm ²	10GA
8.0mm ²	8GA



- NOTES:
 1. CONFORMS TO S.A.E. STANDARD J 560 b
 2. CURRENT CARRYING INSERTS BRASS
 3. WILL ACCEPT UP TO 8.0mm² WIRE AT GROUND TERMINAL (WHITE) & UP TO 5.0mm² WIRE AT ALL OTHER TERMINALS

DO NOT SCALE

METRIC

LET.	WAS	DATE	BY	LET.	WAS	DATE	BY	MATERIAL	DRAWN	CHK	APVD	SCALE	DATE DRAWN
									GR	AK		1:1	1/13/82
								FINISH	Cole Hersee Co. 20 OLD COLONY AVENUE, BOSTON, MA., U.S.A., 02127				DATE BLUEPRINTED
				C	PUT ON CAD	6/5/96	EB	TOLERANCES	7 POLE PLUG ASSY				12082
					ISSUED	10/25/82	RJF	DECIMAL ± 0.25 ANGLE ±					

MM	IN
7.25	.285
7.11	.280
11.43	.450
11.55	.455
12.70	.500
13.46	.530
21.33	.840
21.39	.845
21.33	.840
23.10	.910
29.97	1.180
76.20	3.000
104.77	4.125
107.13	4.218
18.66	.735

COLE-HERSEE CO.

INSULATOR SPRING RELEASE

PLUG BODY, ZINC DIE CAST WITH 18.66 DIA. CABLE HOLE

COIL (SHIPPED LOOSE)

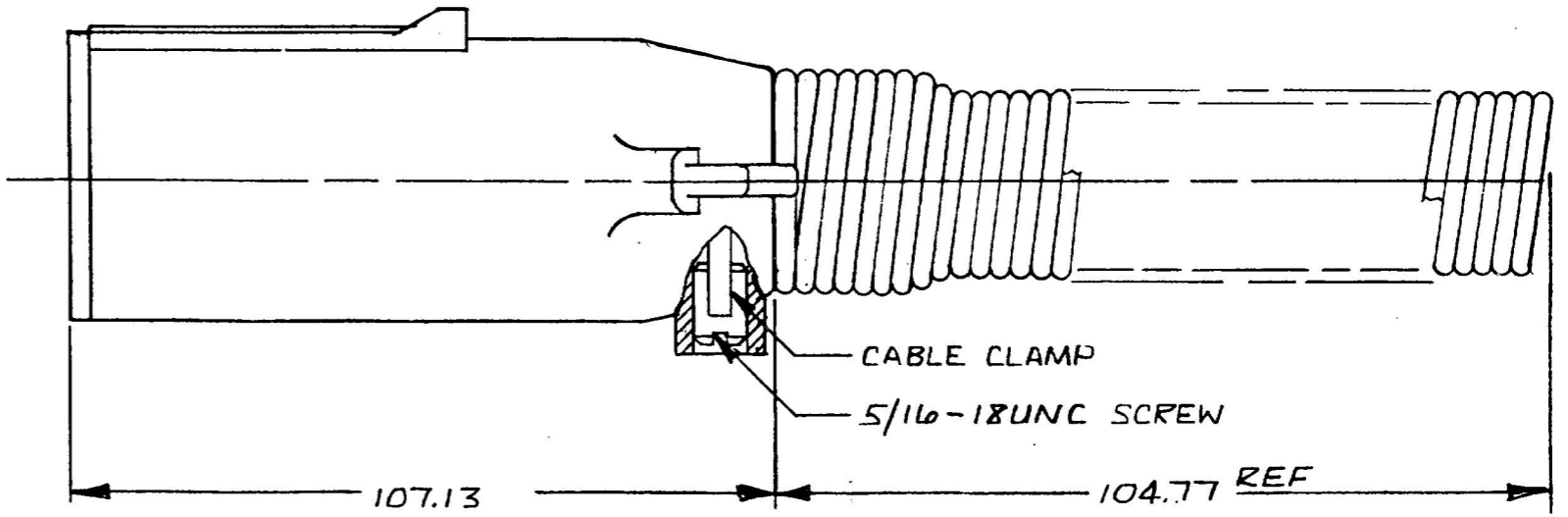
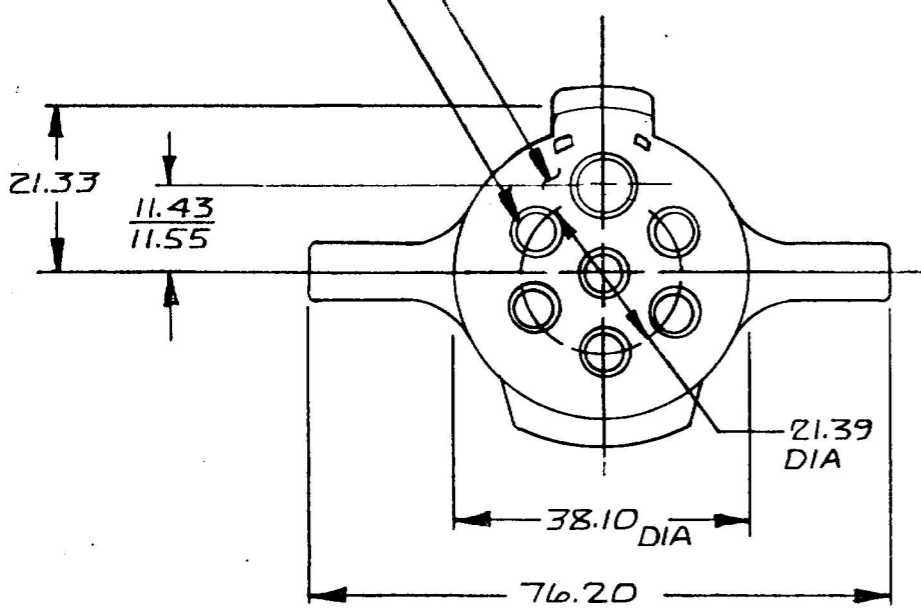
INSERT

INSULATOR



13.46 X 7.11 ELONGATED HOLE (2 HOLES)

53.97



NOTES:

1. CONFORMS TO S.A.E. STANDARDS J560b ^(A)
2. CURRENT CARRYING INSERTS BRASS
3. WILL ACCEPT UP TO #8 GA WIRE AT GROUND TERMINAL (WHITE) & UP TO #10 GA WIRE AT ALL OTHER TERMINALS

METRIC

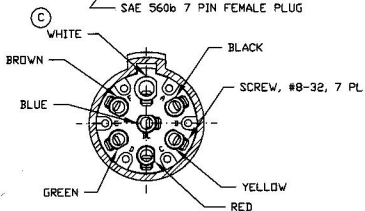
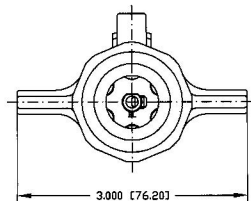
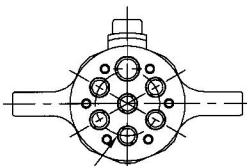
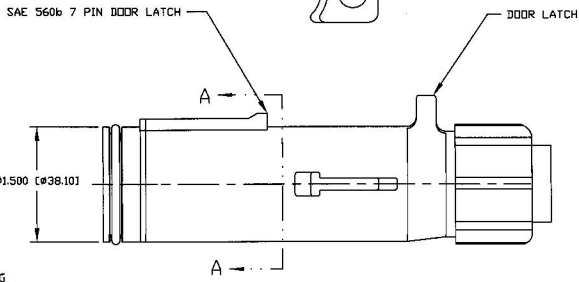
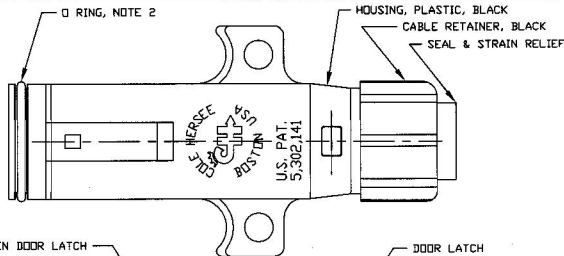
DO NOT SCALE

LET.	WAS	DATE	BY	LET	WAS	DATE	BY	MATERIAL	DRAWN	CHECKED	APPRV'D	SCALE	DATE DRAWN
								#	(R)			1:1	1-13-82
								FINISH					DATE BLUEPRINT
				A	WAS J560b	12-22-82	D.B.	TOLERANCES					12092
					ISSUED	12/15/82	K.F.	DECIMAL ±					7 POLE PLUG ASS'Y
								METRIC ± .25					

BRUNING 40-21 40164

Revision Control Record

Rev.	Description of Change	ECN No.	Date
C	WHITE SCREW	00701	9/19/00



SECTION A-A

- NOTES:
1. ALL DIMENSIONS ARE REFERENCE ONLY
 2. O RING SEALS WHEN PLUG IS INSERTED INTO 12301 OR 12310 SOCKET
 3. WHITE TERMINALS WILL ACCEPT UP TO 8 GA (8.00 MM SQ) WIRE LEAD. BLACK, BROWN, GREEN, RED, AND YELLOW TERMINALS WILL ACCEPT UP TO 10 GA (5.0 MM SQ) WIRE LEADS.

Tolerances: Unless otherwise specifically noted, the following are default tolerances:
 • Positive Radial Dimensions: $\pm .02^\circ$
 • Negative Radial Dimensions: $\pm .02^\circ$
 • Angular Dimensions: $\pm 1.0^\circ$
 • Holes: Refer to applicable English Dimensional Tolerance Tables
 • **NOTE:** All dimensions are dimensioned to the maximum material condition.

Dimensional Units: All dimensions are expressed in inches except those shown in brackets (mm) are expressed in millimeters.

ASME Y14.5M-2009: Minimum Tolerances Relativities (Dimensional Control) for draftsmen purposes only.

PROPRIETARY INFORMATION: The Engineering Drawing, and the information contained herein, is proprietary to Cole Hersee Company and may not be disclosed, reproduced, or in any way may be transferred or communicated to any other party without the express written consent of an authorized representative of Cole Hersee Company.

DESIGN CONTROL: It is the responsibility of the individual using/creating this drawing to ensure that the stated design variables have agreed with the resolution level of the Controlled Document (Master Drawing). This is a FORN-CERTIFIED (ISO 9001) system. Variations are specifically noted.

NO NET SCALE: Dimensional variation may occur during printing/ reproduction.

See For Specific Characteristic

- Critical Characteristics, relating to Safety and/or Regulatory Compliance
- Significant Characteristics relating to Process Control (MPC)
- Control Characteristics relating to Form - Fit - Function as defined by Cole Hersee Company and/or the Customer

Notes that the identification of any Characteristics as being "Special" does not alter the requirements of all specified dimensions & tolerances used in this drawing.

Used On or Ref: **Scale: 1:1**

Drawn By: **DPS** Date Drawn: **8/24/93**

Responsible Engineer: **Pg. 1 of 1**

Cole Hersee Co.
 20 Old Colony Ave., South Boston, MA, 02137
 Phone: 617-285-2100 Web: www.colehersee.com

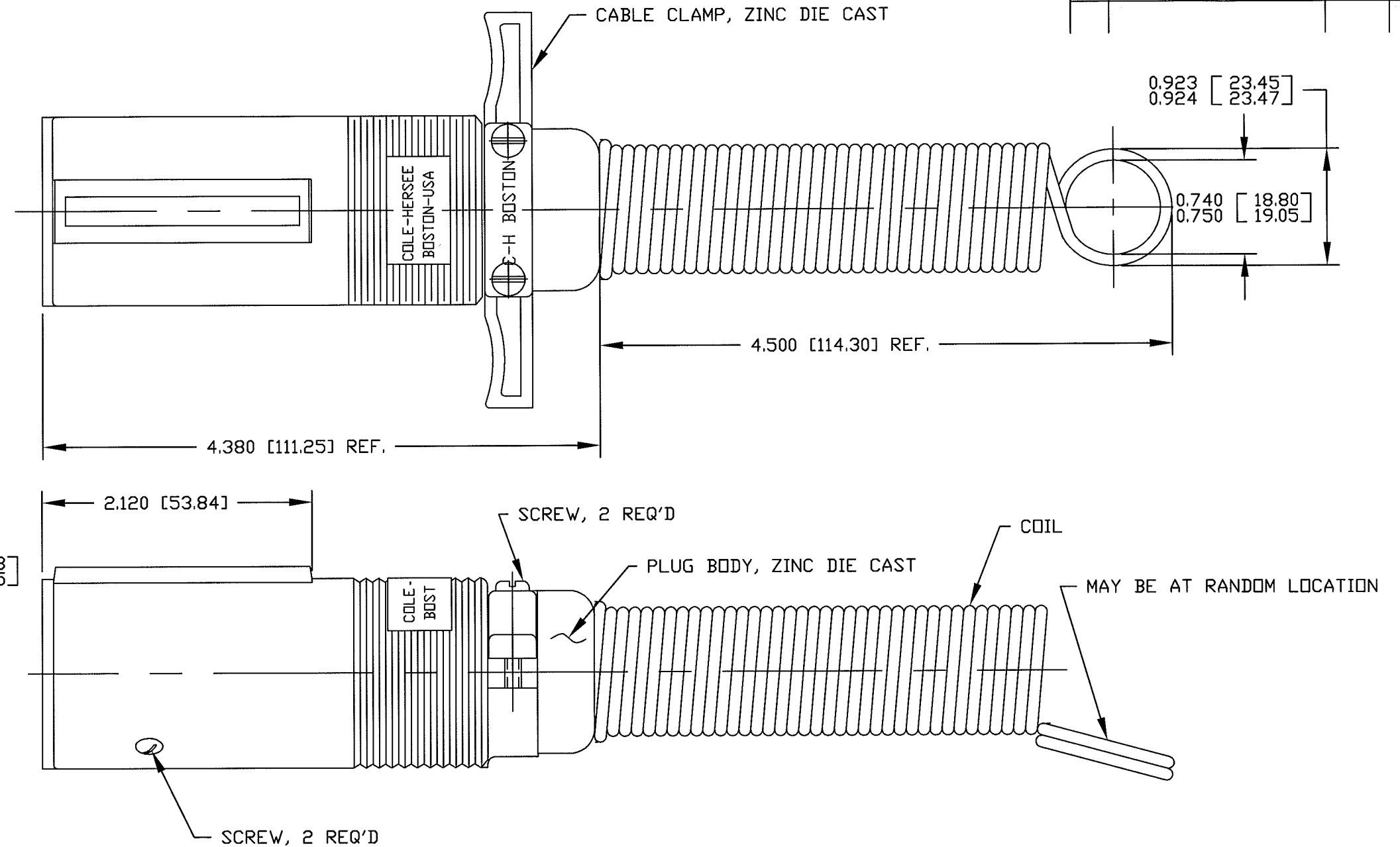
Descriptions: 7 PIN PLUG

Drawing Part No.: 12311

Current Rev.: C

Revision Control Record

Rev.	Description of Change	ECN No.	Date
AA	NOTE CHANGE	06369	11/13/06
AB	ADD TORQUE SPEC.	13069	01/28/13



- NOTES:**
1. CONFORMS TO S.A.E. J560A
 2. WILL ACCEPT UP TO 8 GA [8.0mm²] WIRE AT GROUND TERMINAL (WHITE) AND UP TO 10GA [5.0mm²] WIRE ALL OTHER TERMINALS
 3. 7 SET SCREWS, #8-32, SUPPLIED IN A PLASTIC BAG
 4. MAX TORQUE ON SET SCREWS #8-32 OF 8 INCH/LBS

Tolerances Unless otherwise specifically noted, the following are default tolerances;
 * 2-place Decimal Dimensions +/- .02"
 * 3-place Decimal Dimensions +/- .005"
 * Angular Dimensions +/- 1.0 Deg.
 * Metric: Refer to equivalent English Dimension Tolerance
 >>> NOTE: All tolerances are Non-Cumulative. <<<

Dimensional Units All dimensions are expressed in inches except those shown in brackets (xxx) are expressed in millimeters

"REF." or an Asterisk (*) = Non-Toleranced Reference Dimension, shown for clarification purposes only.

Used On or Ref.: Scale: **1:1**

PROPRIETARY INFORMATION This Engineering Drawing, and the information contained herein, is proprietary to Cole Hersee Company and may not be disclosed, re-produced, or in any other way transferred or communicated to any other party without the express written consent of an authorized representative of Cole Hersee Company.

DESIGN CONTROL It is the responsibility of the individual using / referencing this drawing to assure that the noted design revision level agrees with the revision level of the Controlled Document (Master Drawing). This is a NON-CONTROLLED DOCUMENT unless otherwise specifically noted.

DO NOT SCALE - Dimensional variation may occur during printing / reproduction.

Drawn By: **MW** Date Drawn: **10/27/50**

Special Characteristics:

- Critical Characteristic, relating to Safety and/or Regulatory Compliance
- Significant Characteristic relating to Process Control (SPC)
- Control Dimension relating to Form - Fit - Function as defined by Cole Hersee Company and/or the Customer

(Note that the identification of any Characteristics as being "Special" does not alter the requirement that ALL specified dimensions & tolerances must be met.)

Responsible Engineer: **NA** Pg. 1 of 1

Cole Hersee Co.
 20 Old Colony Ave., South Boston, MA, 02127
 Phn: 617-268-2100 Web: www.colehersee.com

Description:

PLUG BODY ASSY

Drawing / Part No.: **1255**

AB