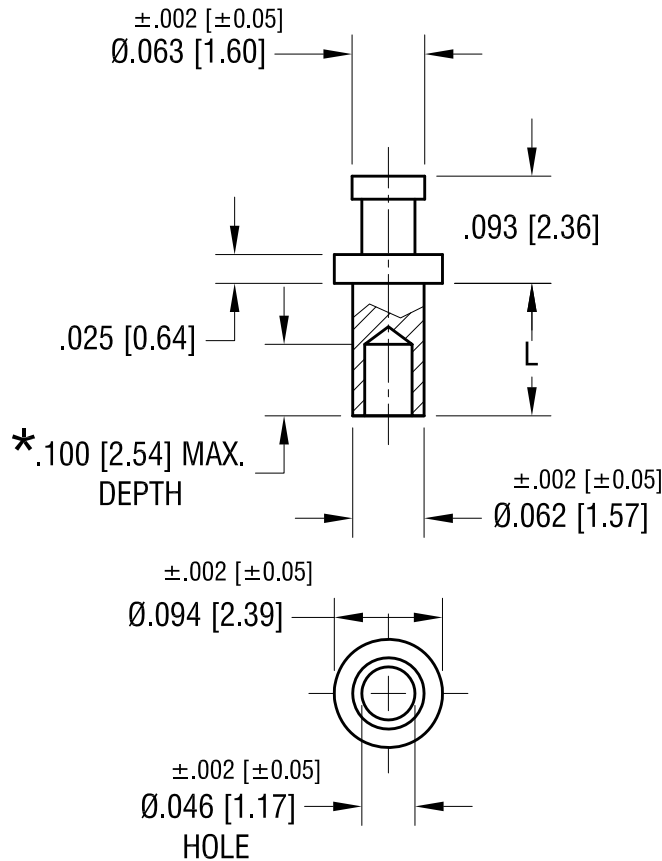


THIS DOCUMENT IS THE PROPERTY OF
KEYSTONE ELECTRONICS CORP. AND
SHALL NOT BE REPRODUCED, DISTRIBUTED
OR USED AS A BASIS FOR MANUFACTURE
WITHOUT PRIOR WRITTEN PERMISSION
FROM KEYSTONE ELECTRONICS CORP.

ACTUAL SIZE



P/N 1508-3



PART NO.	'L' DIM.
1508-1	.053 [1.34]
1508-2	.084 [2.13]
* 1508-3	.115 [2.92]
* 1508-4	.147 [3.73]

KEYSTONE ELECTRONICS CORP.

www.keyelco.com • NEW HYDE PARK NY 11040 • Tel (516)328-7500

PART NAME			
SOLDER TERMINAL			
MATERIAL			
BRASS			
FINISH		DRN BY	DATE
TIN PLATE		BOONE	5.24.02
		APP'D	SCALE
		RH	6X
TOLERANCES	INCH [MM]	CODE	DWG NO.
DECIMAL	$\pm .005$ [± 0.13]	C	1508-
ANGULAR	$\pm 1^\circ$		
UNLESS OTHERWISE SPECIFIED			

2.08.08	CHANGE AS PER ECN 08-074	A
DATE	DESCRIPTION	REV.