

注記 NOTES

- I. 使用材料 : MATERIAL
- ハウジング : 46ナイロン、UL94V-0
HOUSING 46NYLON
 - アクチュエータ : PPS、UL94V-0
ACTUATOR
 - ターミナル : リン青銅 (t=0.2)
TERMINAL PHOS-BRO
 - 金具 : リン青銅 (t=0.2)
FITTING NAIL PHOS-BRO
 - 金具 : リン青銅 (t=0.2)
FITTING NAIL PHOS-BRO
 - 金具 : リン青銅 (t=0.2)
FITTING NAIL PHOS-BRO
 - 金具 : リン青銅 (t=0.2)
FITTING NAIL PHOS-BRO

- エンボステープ梱包時は、アクチュエータがロックした状態とする。
IN THE PACKAGE, ACTUATOR OF PART NO.52435-***26 SHOULD BE LOCKED.
- ソルダーテール半田付け面のズレ量、及び金具半田付け面のズレ量は、基準面 [H] に対し上方向 0.1 MAX. , 下方向 0.15MAX. とする。
MISALIGNMENT OF SOLDER TAILS AND FITTING NAILS FROM [H] UPPER DIRECTION: 0.1 MAX. , LOWER DIRECTION: 0.15MAX.
- 偶数極に適用。
APPLY FOR EVEN CIRCUIT.
- パターンはくり止め用具。
FITTING NAIL FOR PREVENTION OF PEELING OF P.C.B. PATTERN.
- R0.3は、FPCの導体部にかからないこと。
R0.3 MUST NOT BE OVERLAPPED TO PATTERN OF FPC.
- 本製品は52435-***27の鉛フリー品です。
THIS PRODUCT IS LEAD FREE OF 52435-***27.

21.6	19.6	15.65	14.5	52435-3072	52435-3026	30
21.1	19.1	15.15	14.0	-2972	-2926	29
20.6	18.6	14.65	13.5	-2872	-2826	28
20.1	18.1	14.15	13.0	-2772	-2726	27
19.6	17.6	13.65	12.5	-2672	-2626	26
19.1	17.1	13.15	12.0	-2572	-2526	25
18.6	16.6	12.65	11.5	-2472	-2426	24
18.1	16.1	12.15	11.0	-2372	-2326	23
17.6	15.6	11.65	10.5	-2272	-2226	22
17.1	15.1	11.15	10.0	52435-2172	52435-2126	21
D	C	B	(A)	EMBOSSED TAPE	MATERIAL NO.	極数 CKT.
				ORDER No. オーダー番号		

THIS DRAWING CONTAINS INFORMATION THAT IS PROPRIETARY TO MOLEX ELECTRONIC TECHNOLOGIES, LLC AND SHOULD NOT BE USED WITHOUT WRITTEN PERMISSION

DIMENSION UNITS	SCALE	CURRENT REV DESC.
mm	NTS	
GENERAL TOLERANCES (UNLESS SPECIFIED)		
ANGULAR TOL	±	°
4 PLACES	±	
3 PLACES	±	
2 PLACES	±	
1 PLACE	±	
0 PLACES	±	
DRAFT WHERE APPLICABLE MUST REMAIN WITHIN DIMENSIONS		
THIRD ANGLE PROJECTION		
DRAWING		
SERIES		
MATERIAL NUMBER		
CUSTOMER		
SHEET NUMBER		

EC NO: 758488
 DRWN: RAJMOK 2023/07/26
 CHK'D: HSHIMOYAMA 2023/08/03
 APPR: YNAITO 2023/08/03

INITIAL REVISION:
 DRWN: YMAEDA 2005/11/15
 APPR: NUKITA 2005/11/21

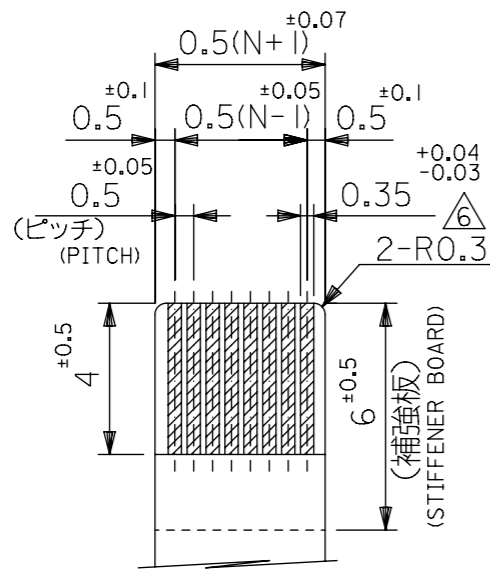
molex

0.5 FPC CONN ZIF FOR SMT
 R/A (TOP CONTACT) -LEAD FREE-

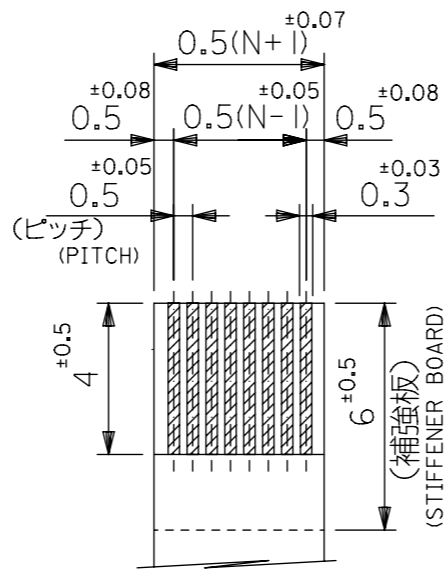
PRODUCT CUSTOMER DRAWING

DOCUMENT NUMBER: SD-52435-019
 DOC TYPE: PSD
 DOC PART: 001
 REVISION: J

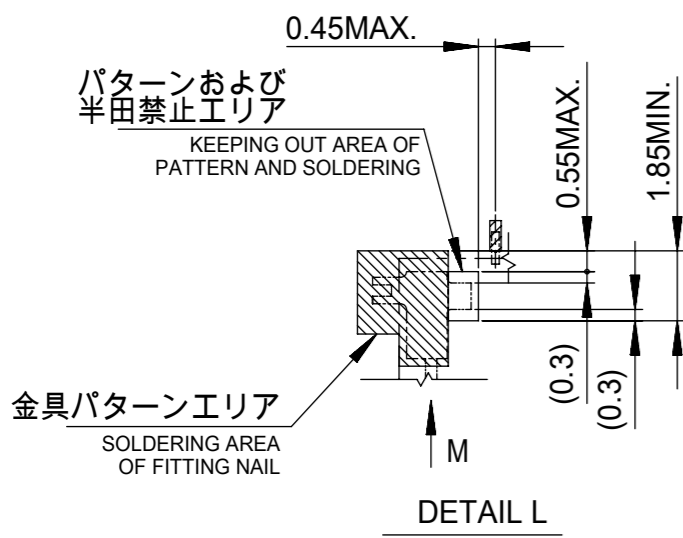
SEE TABLE GENERAL MARKET 1 OF 2



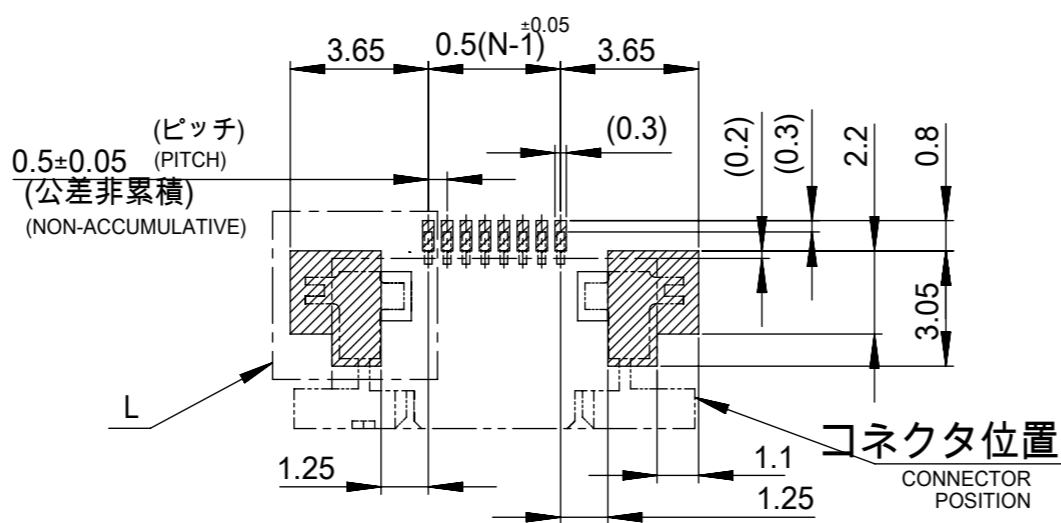
適合FPC推奨寸法
APPLICABLE FPC
RECOMMENDED DIMENSION.
(仕上がり厚さ: 0.3 ± 0.05)
(THICKNESS: 0.3 ± 0.05)



適合FFC推奨寸法
APPLICABLE FFC
RECOMMENDED DIMENSION.
(仕上がり厚さ: 0.3 ± 0.05)
(THICKNESS: 0.3 ± 0.05)

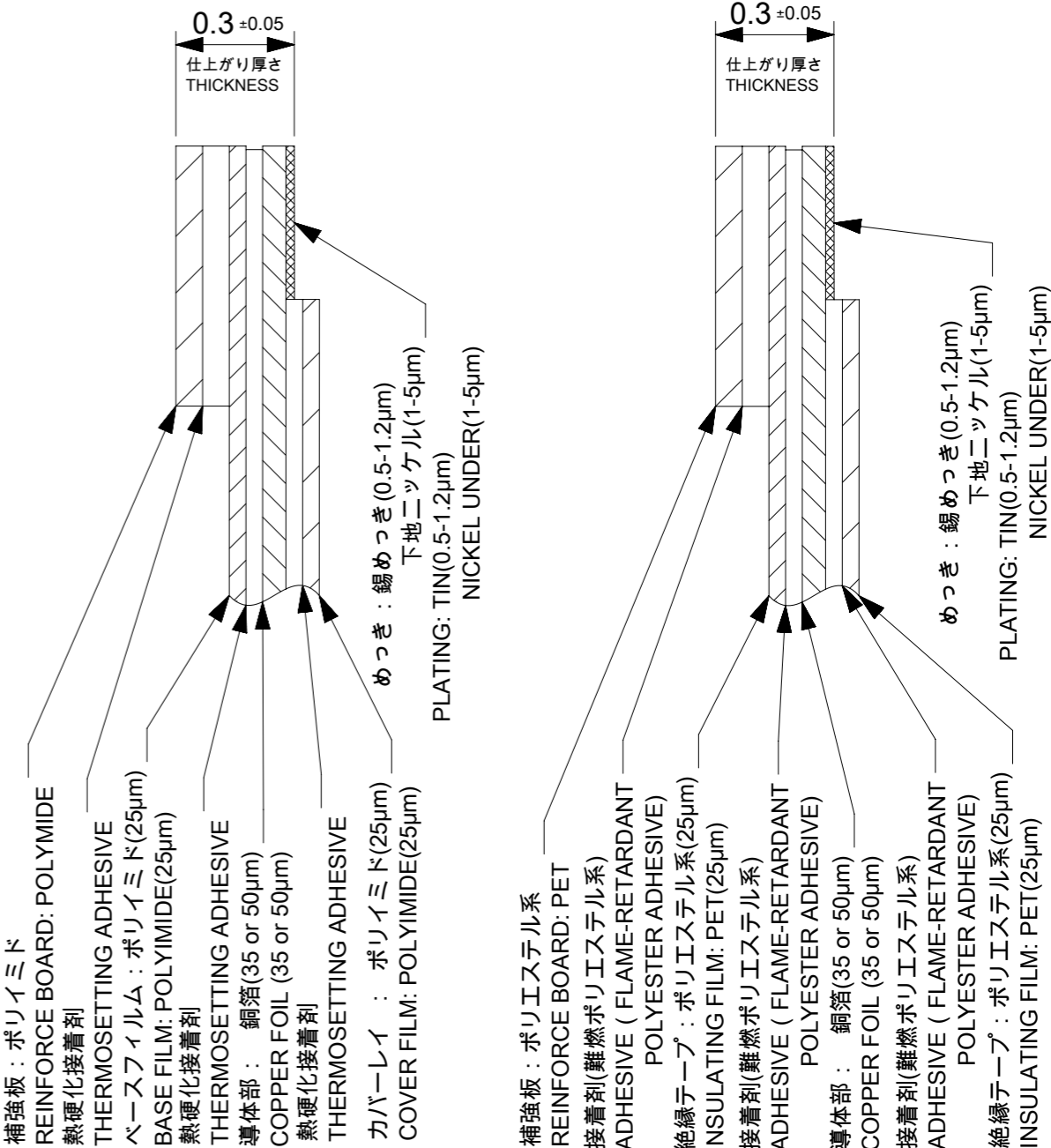


VIEW M
(DETAIL OF FITTING NAIL
ON PATTERN)



参考基板レイアウト
(マウント面)

RECOMMENDED P.C. BOARD
PATTERN DIMENSION (REF.)
(MOUNTING SIDE)



FPC構成推奨仕様

RECOMMENDED STRUCTURE OF FPC

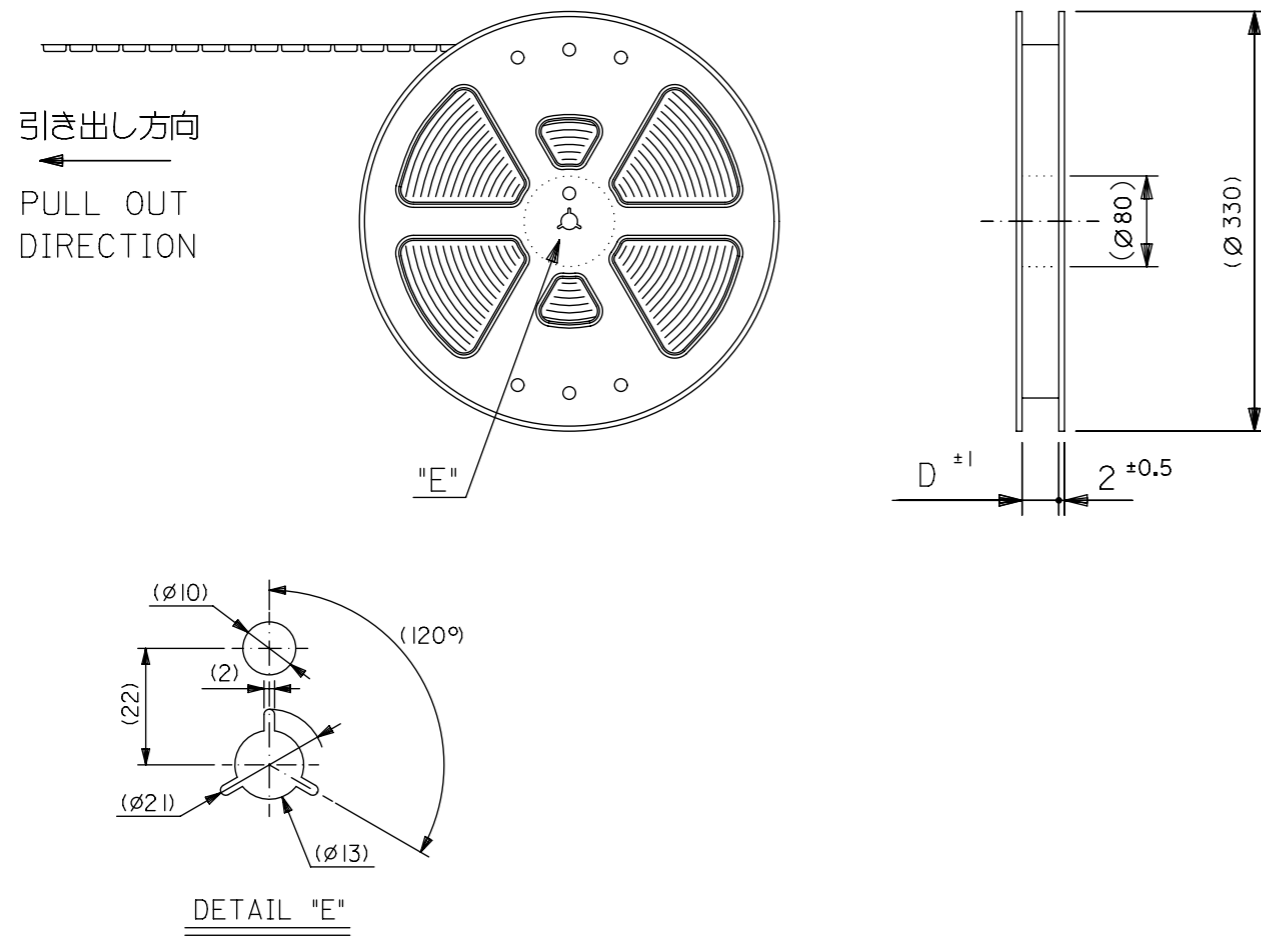
FFC構成推奨仕様

RECOMMENDED STRUCTURE OF FFC

FPCについて:
打抜き方向は導体側から補強板側を推奨致します。
補強フィルム材質はポリイミドを推奨致します。
接着剤は熱硬化接着剤を推奨致します。

ABOUT FPC:
RECOMMENDED PUNCHER DIRECTION : FROM CONDUCTOR SIDE TO STIFFENER BOARD SIDE.
RECOMMENDED MATERIAL :
STIFFENER FILM : POLYIMIDE
BONDING AGENT : THERMOSETTING BONDING AGENT

THIS DRAWING CONTAINS INFORMATION THAT IS PROPRIETARY TO MOLEX ELECTRONIC TECHNOLOGIES, LLC AND SHOULD NOT BE USED WITHOUT WRITTEN PERMISSION		CURRENT REV DESC:		molex	
DIMENSION UNITS	SCALE				
mm	NTS			0.5 FPC CONN ZIF FOR SMT R/A (TOP CONTACT) -LEAD FREE-	
GENERAL TOLERANCES (UNLESS SPECIFIED)		EC NO: 758488		PRODUCT CUSTOMER DRAWING	
ANGULAR TOL ± °		DRWN: RAJMOK		DOCUMENT NUMBER	
4 PLACES ±		2023/07/26		SD-52435-019	
3 PLACES ±		CHK'D: HSHIMOYAMA		DOC TYPE	
2 PLACES ±		APPR: YNAITO		PSD	
1 PLACE ±		INITIAL REVISION:		DOC PART	
0 PLACES ±		DRWN: YMAEDA		001	
DRAFT WHERE APPLICABLE MUST REMAIN WITHIN DIMENSIONS		APPR: NUKITA		REVISION	
THIRD ANGLE PROJECTION		2005/11/15		J	
DRAWING		2005/11/21		SHEET NUMBER	
SERIES		A3-SIZE		2 OF 2	
MATERIAL NUMBER		52435			
CUSTOMER		SEE SHEET-1			
		GENERAL MARKET			

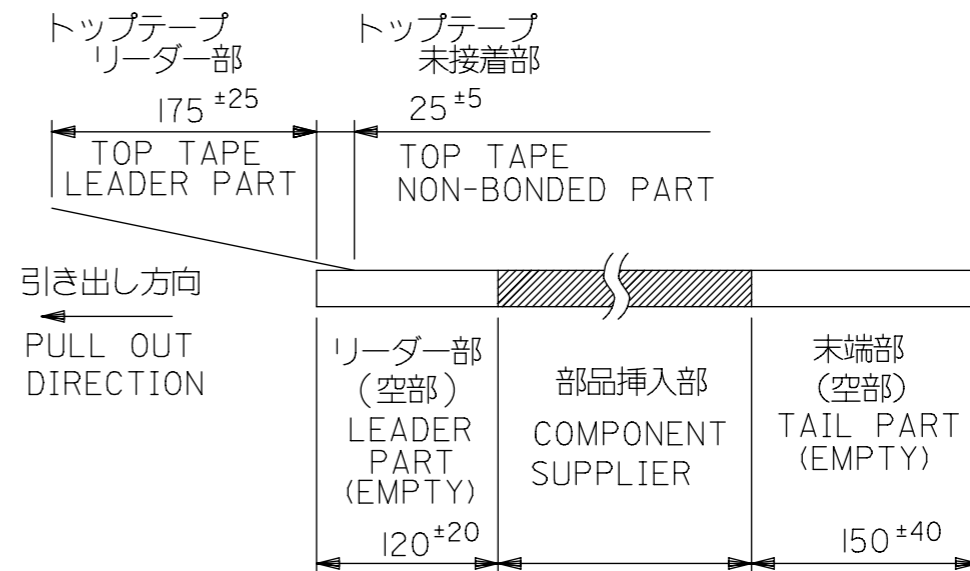


5. 材料 (MATERIAL)
 キャリアテープ (CARRIER TAPE): ポリプロピレン (POLYPROPYLENE)
 トップテープ (TOPTAPE): PET, PE, PEF
 リール (REEL): ポリスチレン (PS) <リサイクル材を含む>
 POLYSTYREN (PS) <RECYCLE MATERIAL CONTAINED>

6. 本製品は52435-**-91の鉛フリー品です。
 THIS PRODUCT IS LEAD FREE OF 52435-**-91.

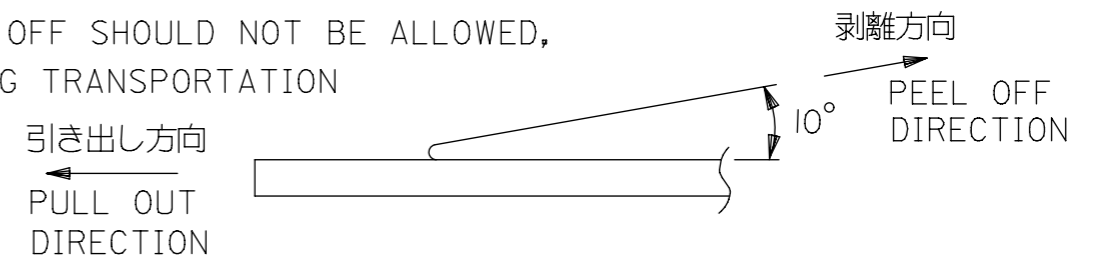
注記 NOTES

- 製品番号 52435-**-26 の梱包状態はアクチュエータがロックした状態とする。
 詳細寸法については図面 SD-52435- 019 を参照下さい。
 IN THE PACKAGE, ACTUATOR OF PART NO. 52435-**-26 SHOULD BE LOCKED RE DETAILED DIMENSIONS, SEE SD-52435- 019
- 梱包数量: 1000個/リール
 NUMBER OF CONNECTORS: 1000PCS/REEL
- リードテープ長さ LEAD TAPE LENGTH

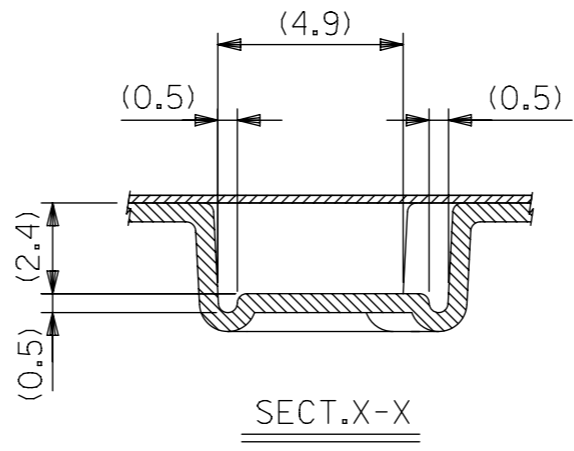
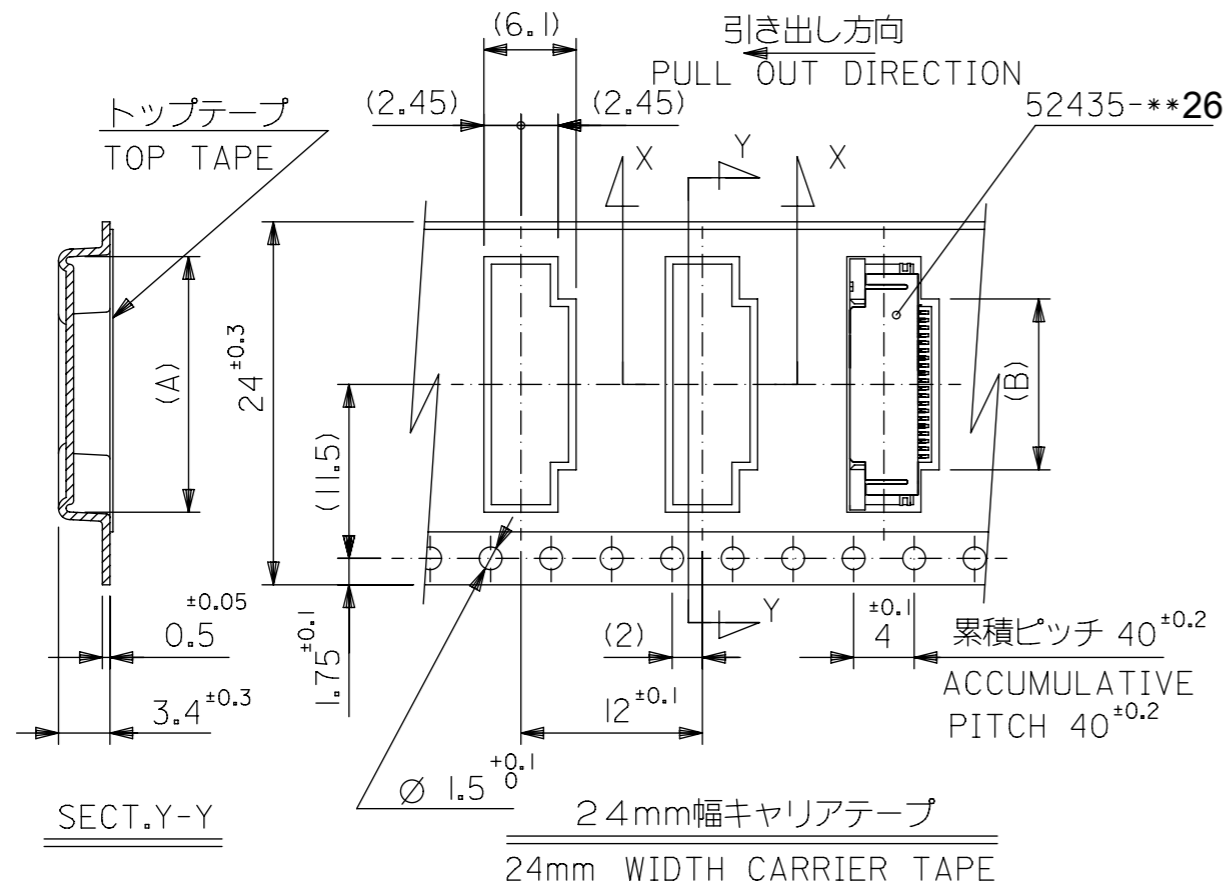


- トップテープの剥離強度: (剥離方向は下図参照)
 0.1N ~ 1.3N (10gf ~ 130gf) 尚、本規格値は、出荷時に適用。
 (但し、輸送時に剥離が発生しない事。)

PEELING OFF FORCE OF TOP TAPE
 0.1N ~ 1.3N (10gf ~ 130gf) (PEELING DIRECTION AS SHOWN IN FOLLOWING FIG.)
 THIS REQUIREMENT SHOULD BE APPLIED AT SHIPMENT
 PEEL OFF SHOULD NOT BE ALLOWED,
 DURING TRANSPORTATION

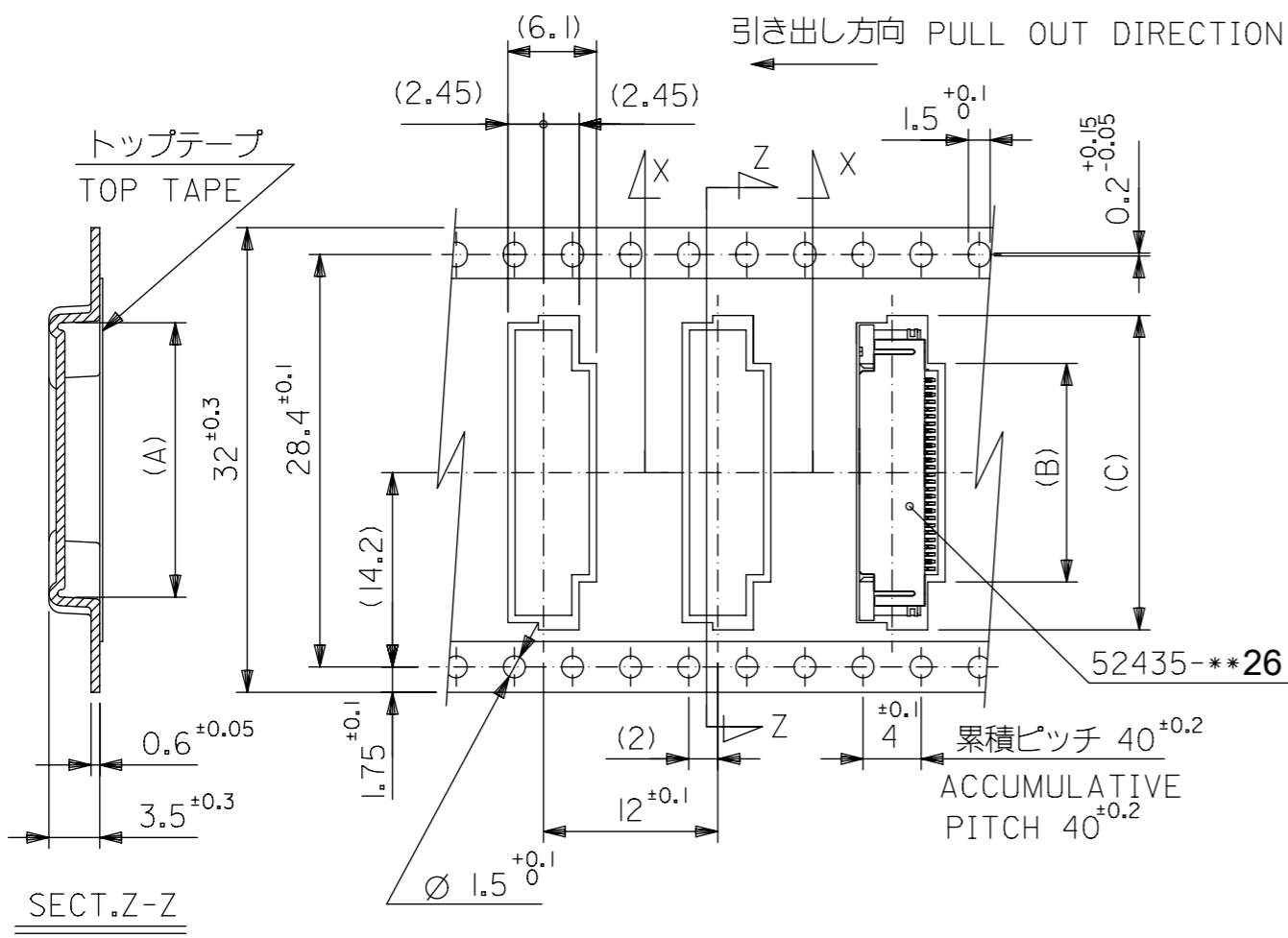


THIS DRAWING CONTAINS INFORMATION THAT IS PROPRIETARY TO MOLEX ELECTRONIC TECHNOLOGIES, LLC AND SHOULD NOT BE USED WITHOUT WRITTEN PERMISSION		CURRENT REV DESC:		molex	
DIMENSION UNITS	SCALE	EC NO: 719890			
mm	NTS	DRWN: NARENC 2022/08/23		PRODUCT CUSTOMER DRAWING	
GENERAL TOLERANCES (UNLESS SPECIFIED)		CHK'D: SMARUYAMA 2022/09/05		DOCUMENT NUMBER	
ANGULAR TOL ± 3.0°		APPR: YNAITO 2022/09/05		SD-52435-020	
4 PLACES ±		INITIAL REVISION:		DOC TYPE	
3 PLACES ±		DRWN: YMAEDA 2005/11/15		PSD	
2 PLACES ±		APPR: NUKITA 2005/11/21		DOC PART	
1 PLACE ±		DRAWING		001	
0 PLACES ±		SERIES		E	
DRAFT WHERE APPLICABLE MUST REMAIN WITHIN DIMENSIONS		A3-SIZE		SHEET NUMBER	
ANGULAR ±3°		52435		1 OF 3	



24	25.5	11.8	17.4	52435-2172	21
キャリアテープ幅 CARRIER TAPE WIDTH	D	(B)	(A)	ENG. NO.	極数 CIRCUIT

24mm幅キャリアテープ
24mm WIDTH CARRIER TAPE



32	33.5	22.4	15.8	21.4	52435-2972	29
		21.9	15.3	20.9	-2872	28
		21.4	14.8	20.4	-2772	27
		20.9	14.3	19.9	-2672	26
		20.4	13.8	19.4	-2572	25
		19.9	13.3	18.9	-2472	24
		19.4	12.8	18.4	-2372	23
		18.9	12.3	17.9	52435-2272	22
キャリアテープ幅 CARRIER TAPE WIDTH	D	(C)	(B)	(A)	ENG. NO.	極数 CIRCUIT

32mm幅キャリアテープ
32mm WIDTH CARRIER TAPE

GENERAL TOLERANCES (UNLESS SPECIFIED)

10 ^{UNDER}	±0.2
10 ^{OVER} 30 ^{UNDER}	±0.25
30 ^{OVER}	±0.3
ANGULAR	±3°

THIS DRAWING CONTAINS INFORMATION THAT IS PROPRIETARY TO MOLEX ELECTRONIC TECHNOLOGIES, LLC AND SHOULD NOT BE USED WITHOUT WRITTEN PERMISSION

DIMENSION UNITS: mm SCALE: NTS

GENERAL TOLERANCES (UNLESS SPECIFIED): ANGULAR TOL ± 3.0°

4 PLACES ±, 3 PLACES ±, 2 PLACES ±, 1 PLACE ±, 0 PLACES ±

DRAFT WHERE APPLICABLE MUST REMAIN WITHIN DIMENSIONS

THIRD ANGLE PROJECTION

DRAWING: A3-SIZE

SERIES: 52435

MATERIAL NUMBER: SEE TABLE

CUSTOMER: GENERAL MARKET

SHEET NUMBER: 2 OF 3

EC NO: 719890
DRWN: NARENC 2022/08/23
CHK'D: SMARUYAMA 2022/09/05
APPR: YNAITO 2022/09/05

INITIAL REVISION:
DRWN: YMAEDA 2005/11/15
APPR: NUKITA 2005/11/21

molex

0.5 FPC CONN ZIF SMT R/A WITH TAPE EMBSTP PKG -LEAD FREE-

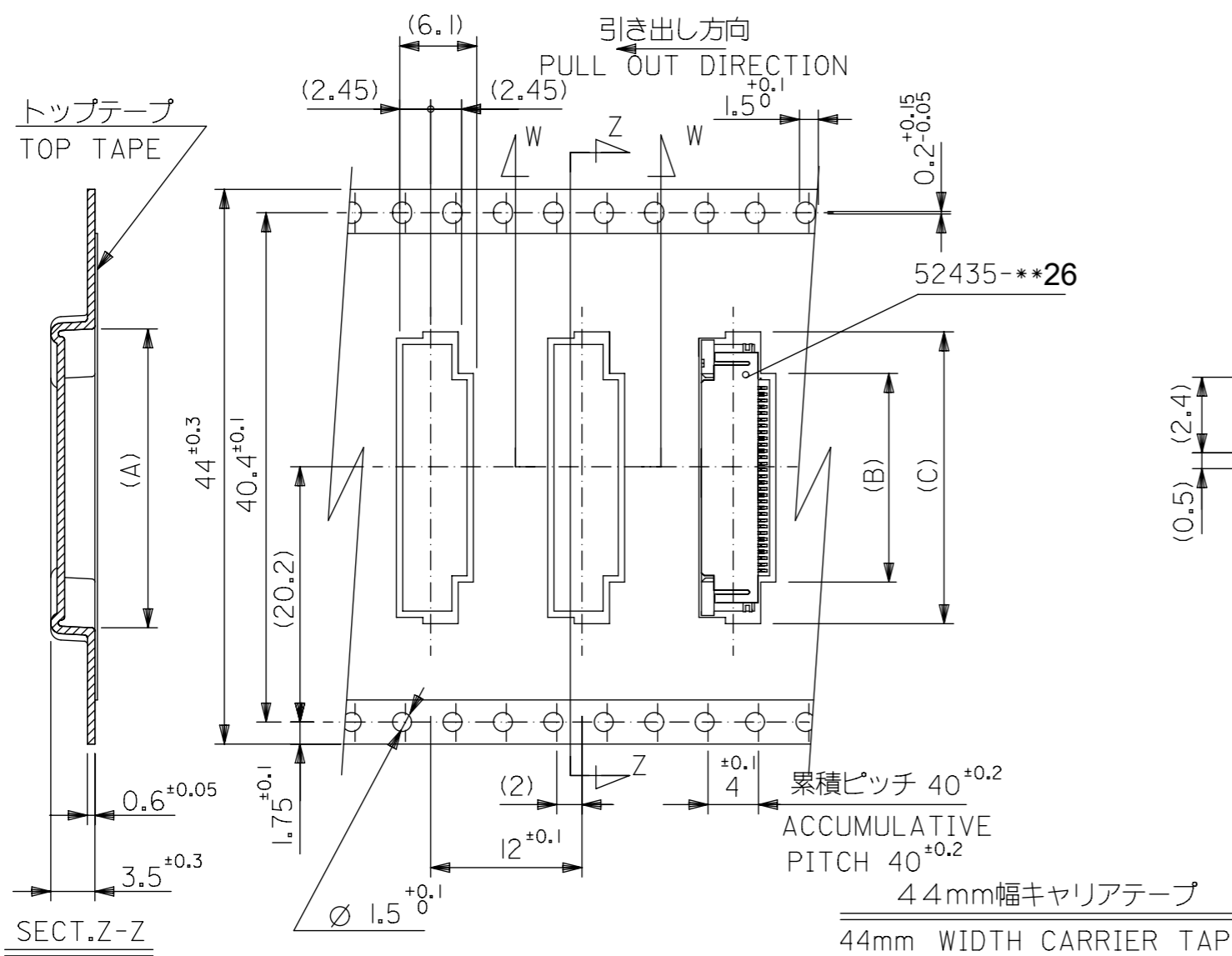
PRODUCT CUSTOMER DRAWING

DOCUMENT NUMBER: SD-52435-020

DOC TYPE: PSD

DOC PART: 001

REVISION: E



44	45.5	22.9	16.3	21.9	52435-3072	30
キャリアテープ幅 CARRIER TAPE WIDTH	D	(C)	(B)	(A)	ENG. NO.	極数 CIRCUIT

THIS DRAWING CONTAINS INFORMATION THAT IS PROPRIETARY TO MOLEX ELECTRONIC TECHNOLOGIES, LLC AND SHOULD NOT BE USED WITHOUT WRITTEN PERMISSION

DIMENSION UNITS mm	SCALE NTS	CURRENT REV DESC:		molex		
GENERAL TOLERANCES (UNLESS SPECIFIED)		EC NO: 719890				
ANGULAR TOL ± 3.0°		DRWN: NARENC		PRODUCT CUSTOMER DRAWING		
4 PLACES ±		CHK'D: SMARUYAMA		DOCUMENT NUMBER		
3 PLACES ±		APPR: YNAITO		SD-52435-020		
2 PLACES ±		INITIAL REVISION:		DOC TYPE DOC PART REVISION		
1 PLACE ±		DRWN: YMAEDA		PSD 001 E		
0 PLACES ±		APPR: NUKITA		MATERIAL NUMBER CUSTOMER		
DRAFT WHERE APPLICABLE MUST REMAIN WITHIN DIMENSIONS		THIRD ANGLE PROJECTION	DRAWING	SERIES	SHEET NUMBER	
			A3-SIZE	52435	SEE TABLE	3 OF 3