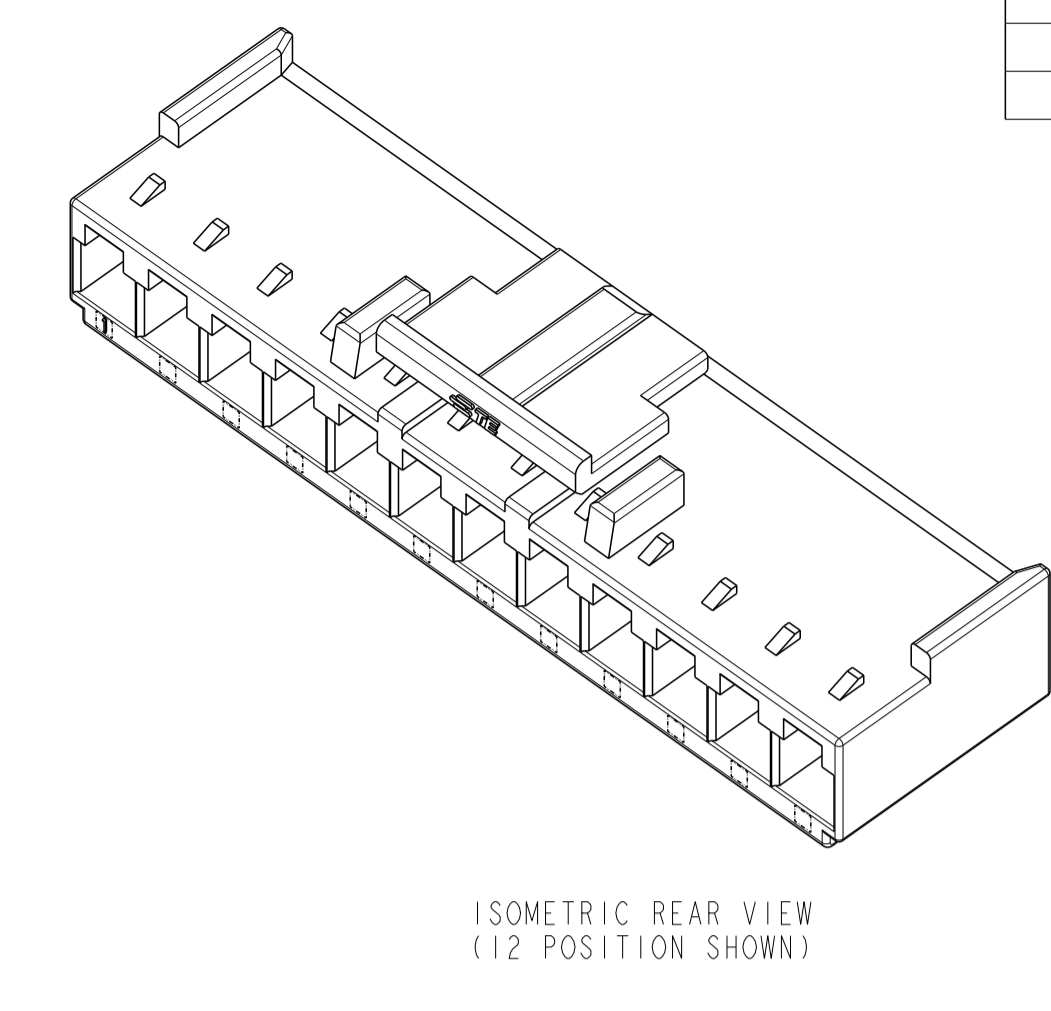
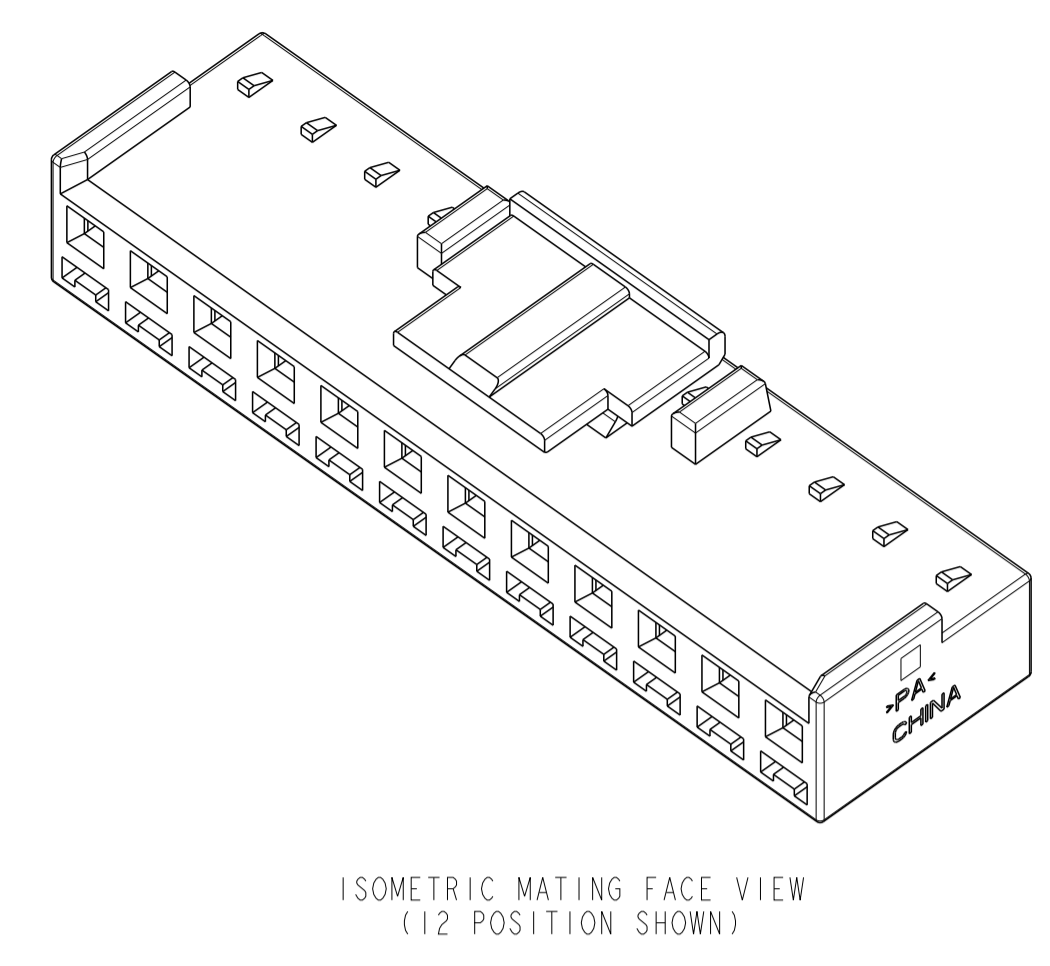
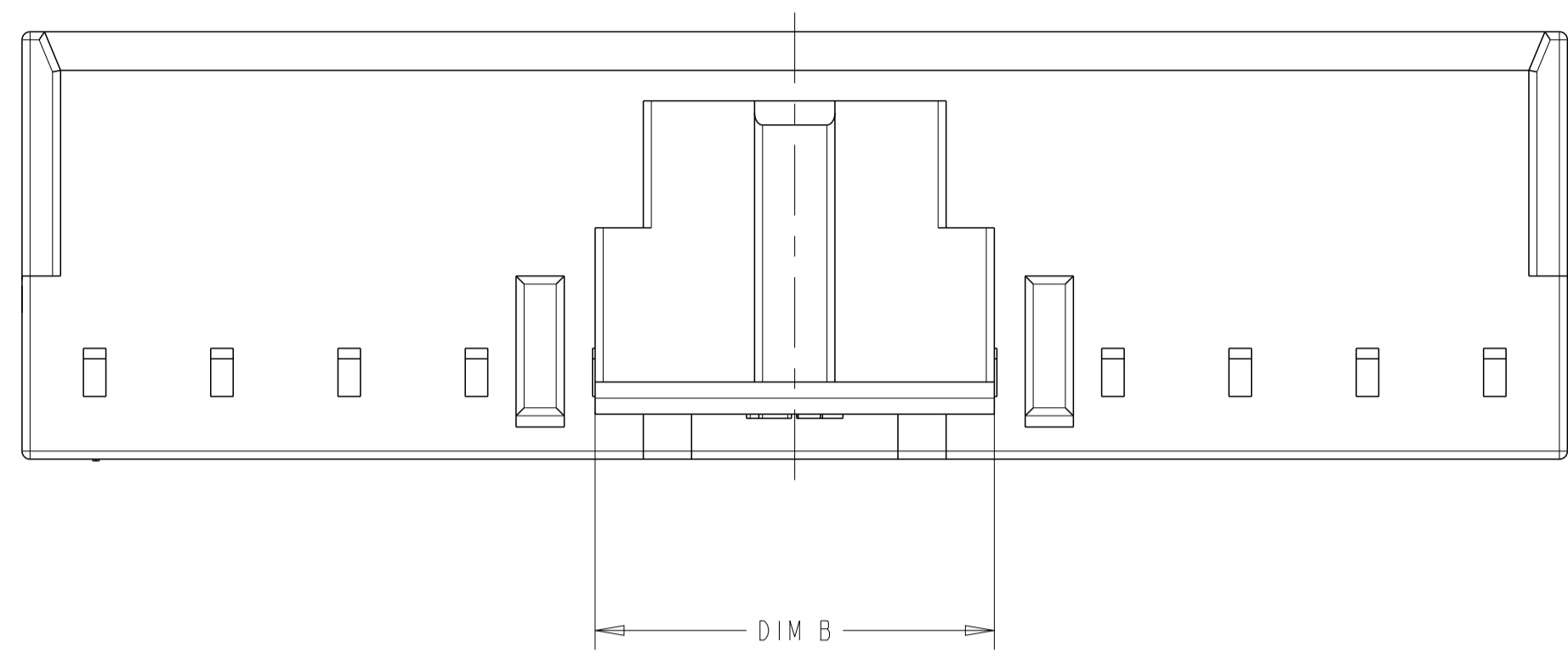
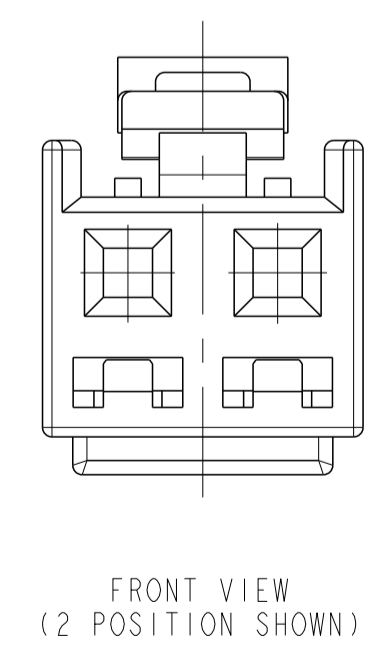
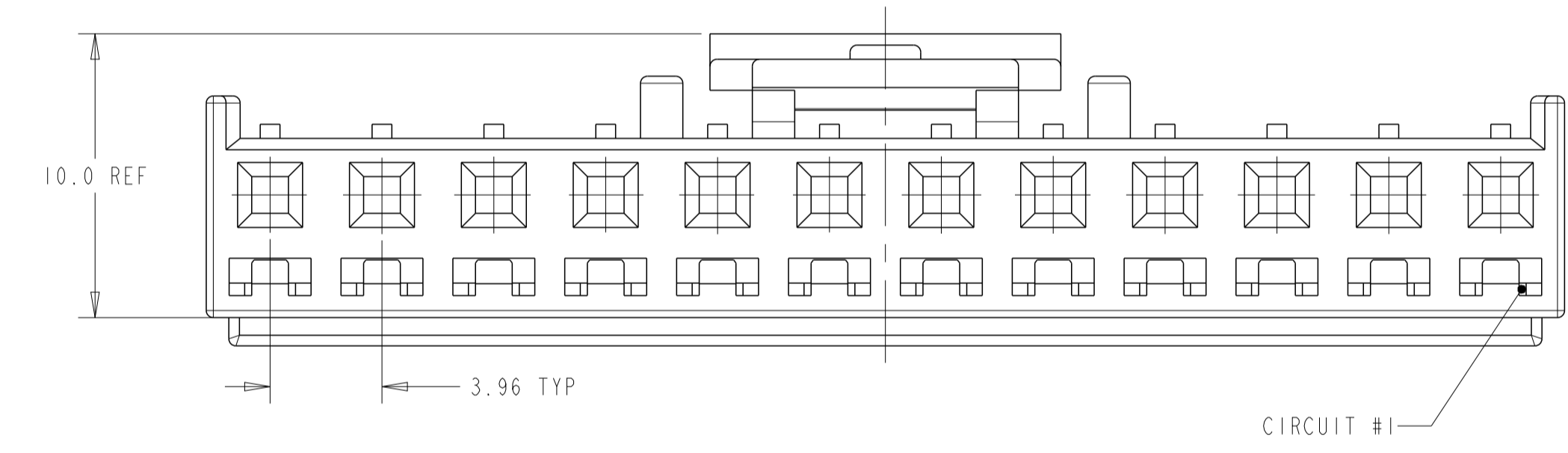
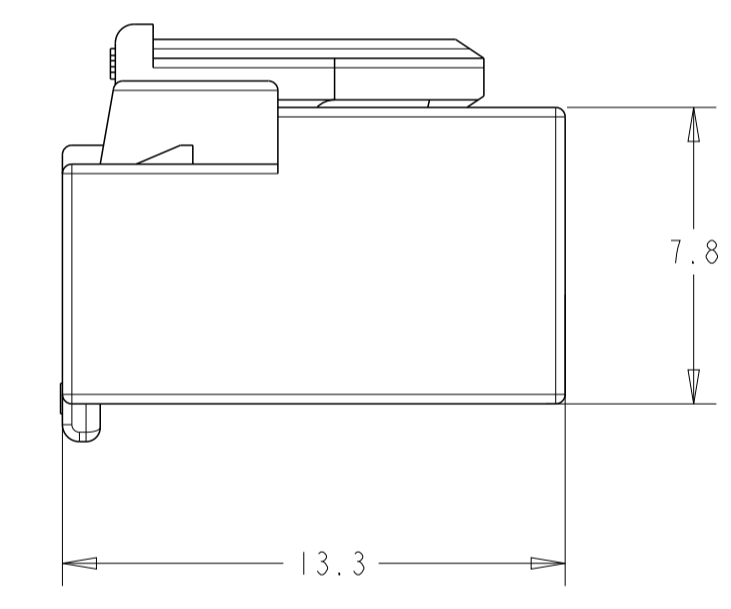
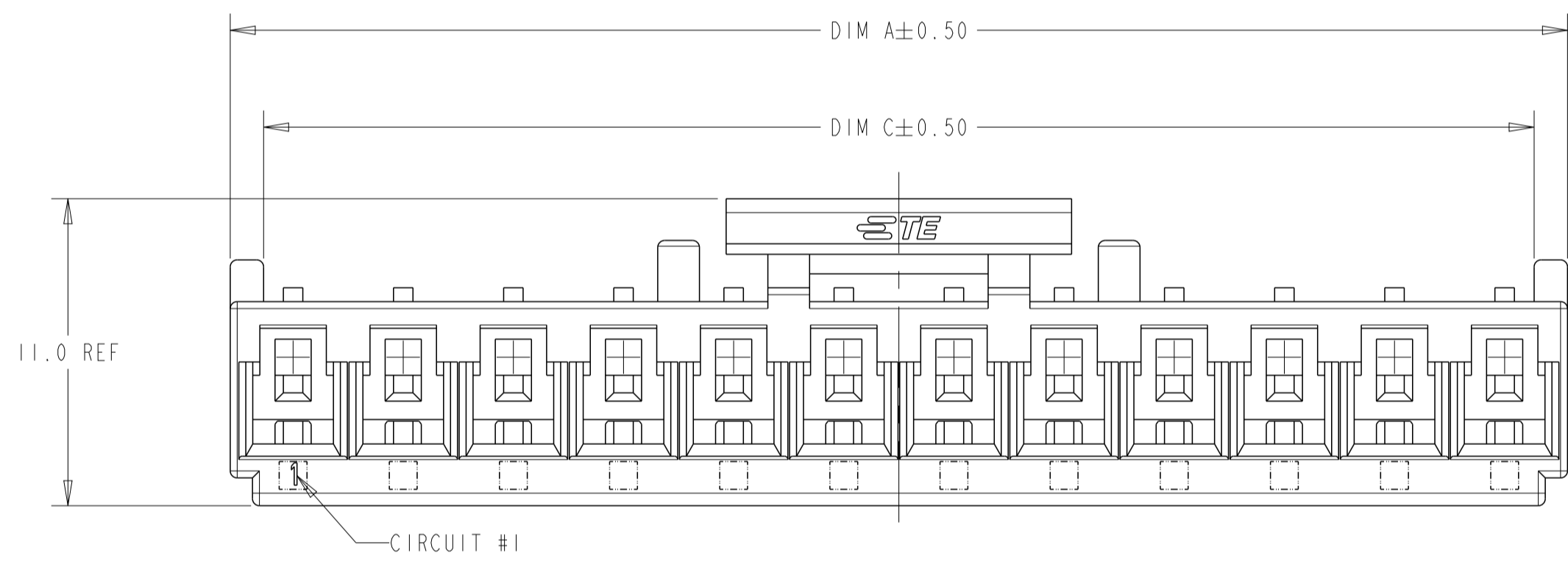


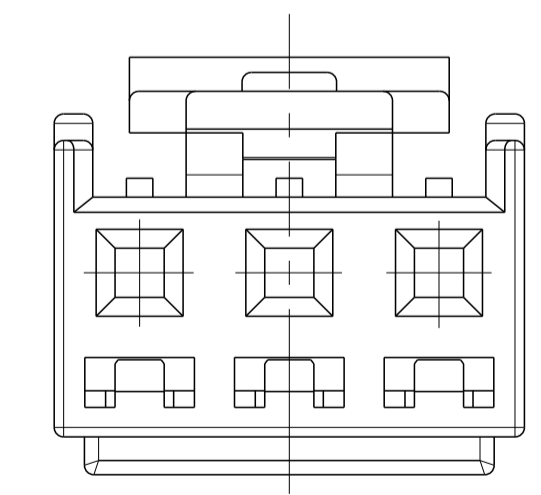
REVISIONS				
P	LTN	DESCRIPTION	DATE	APVD
A		REVISED PER ECN-22-148284	09APR2022	WH LC



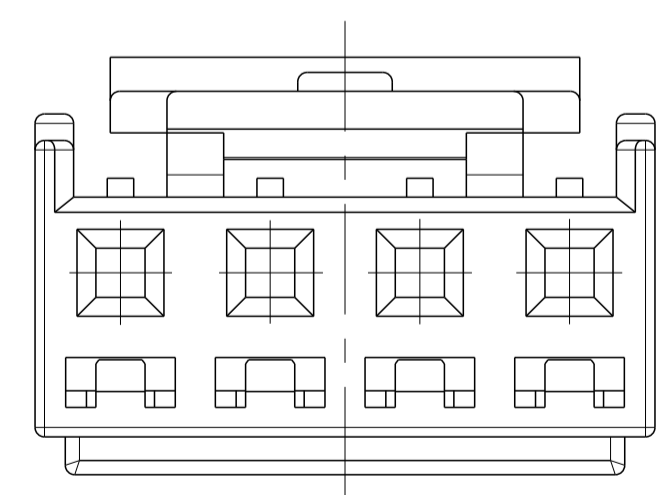
- 1. MATERIAL: NYLON,UL94 V-0, COLOR: NATURAL
- 2. DIMENSIONS SHOWN REPRESENT PRODUCT IN DRY, AS MOLDED, CONDITION.
- 3. RECOMMENDED MATING HEADER:[1-2375267-[],[1-2384268-[]]
- 4. THE HOUSING ACCEPTS TERMINALS: 2377991-1 OR 2377997-1
- 5. ACCEPT OPTIONAL TPA: 1-2132782-2 OR [1-1744544-[]]



FRONT VIEW
(2 POSITION SHOWN)



FRONT VIEW
(3 POSITION SHOWN)



FRONT VIEW
(4 POSITION SHOWN)

45.68	12.42	48.08	12	1-2377130-2
41.72	8.46	44.12	11	1-2377130-1
37.76	12.42	40.16	10	1-2377130-0
33.80	8.46	36.20	9	2377130-9
29.84	12.42	32.24	8	2377130-8
25.88	8.46	28.28	7	2377130-7
21.92	12.42	24.32	6	2377130-6
17.96	8.46	20.36	5	2377130-5
14.36	12.42	16.40	4	2377130-4
10.40	8.46	12.44	3	2377130-3
6.44	4.50	8.48	2	2377130-2
DIM C	DIM B	DIM A	NO OF POSITION	PART NUMBER

THIS DRAWING IS A CONTROLLED DOCUMENT.

DIMENSIONS:	TOLERANCES UNLESS OTHERWISE SPECIFIED:	DWN: W. HUO 01JUN2021	TE Connectivity NAME: RECEPTACLE HOUSING, NON-GWT, SINGLE ROW, ECONOMY POWER II PRODUCT SPEC: 108-2297 APPLICATION SPEC: 114-13265 WEIGHT: - CUSTOMER DRAWING
mm	0 PLC ±0.4	CHK: D. ZHANG 03JUN2021	
	2 PLC ±0.25	APVD: D. ZHANG 03JUN2021	
	3 PLC ±0.25		
	4 PLC ±0.25		SIZE: 00779
MATERIAL:	FINISH:		SCALE: N/A
			SHEET 1 OF 1
			REV A