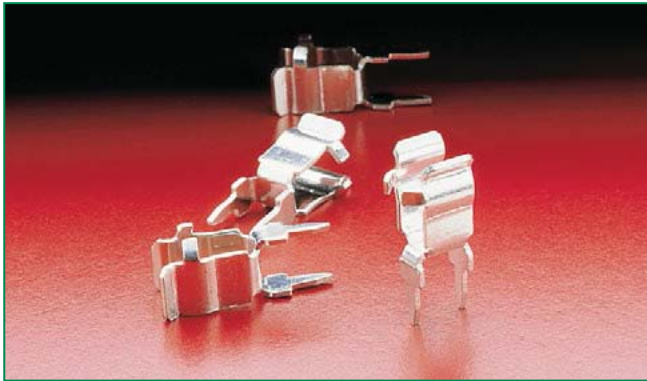


## 100/445/030/520 Series Circuit Board Mount Clips for 5mm Diameter Fuses



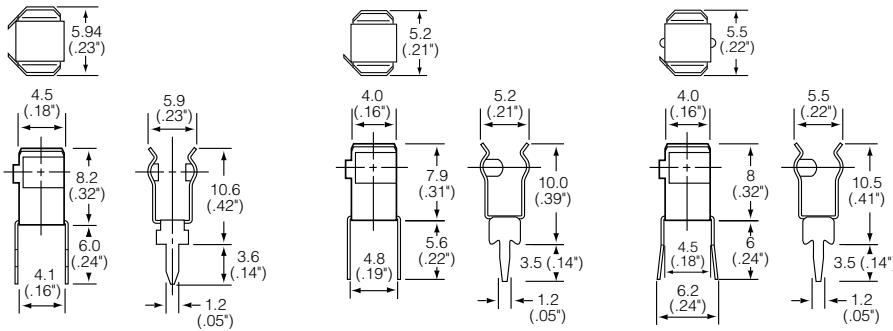
### Product Characteristics

	100 054/056 series	100 020 series	445/030/520 series
<b>Compatible Fuse Size</b>	<b>5mm Diameter Fuses</b> Littelfuse 213, 215, 216, 217, 218, 219XA, 232, 233, 234, 235, and 239 Series Fuses		
<b>Current Level</b>	10 Amp max	20 Amp max	10 Amp max

### Agency Approval

Agency	Agency File Number			
	100 054/056 series	445/030 series	100 020 series	520 series
	NA		E14721	

### Product Dimensions



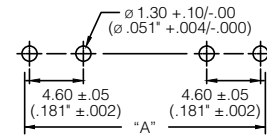
0100 0020 / 0100 0054 / 0100 0056

0445 0001 / 0030 0210

0520 0001

### Mounting Dimensions

Fuse Size	A Dim.
5mm×20 mm	20.5 (.807")
5mm×25 mm	25.5 (1.004")
5mm×30 mm	31.0 (1.220")



### Recommended Mounting Dimensions

### Ordering Information

Ordering PN*	Catalog No.	Clip Material	Plating	Style	Packaging Available
0100 0054	100 054	Spring Brass	Silver-plated	Ear	Z
0100 0056	100 056	Spring Brass	Tin-plated	Ear	Z
0100 0020	100 020	Phosphor Bronze	Tin-plated	Ear	Z
0445 0001	445 001	Spring Brass	Tin-plated	Ear	M or N
0030 0210	030 210	Spring Brass	Nickel-plated	Ear	M or N
0520 0001	520 001	Spring Brass	Silver-plated	Ear	M or N

#### Add Suffix to the Ordering PN for Packaging

- "M" = std. package 1000 pcs per pack
- "N" = std. package 5000 pcs per pack
- "Z" = for bulk package