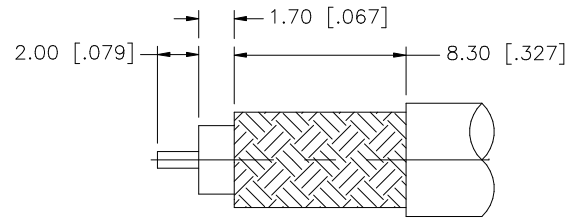
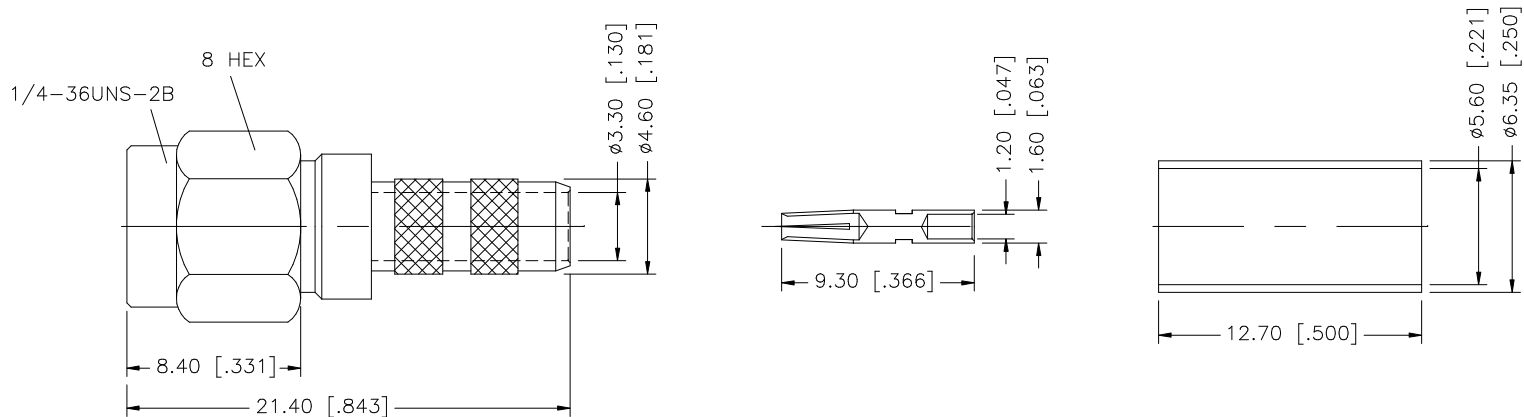


REV.	DATE	DESCRIPTION
NC	07/11/00	INITIAL RELEASE
A	07/20/05	UPDATE DRAWING FORMAT



RECOMMENDED  
CABLE STRIPPING DIM'S



NOTE:

1. CRIMPED FERRULE  
HEX CRIMP SIZE .213"
2. CONTACT PIN TO SOLDER

8				<small>UNLESS OTHERWISE SPECIFIED DIMENSIONS ARE IN MILLIMETERS. DIMENSIONS IN [ ] ARE IN INCHES AND FOR CUSTOMER REFERENCE ONLY.</small>  <small>UNLESS OTHERWISE SPECIFIED TOLERANCES FOR MILLIMETERS ARE:</small> 0.5 - 8mm ± 0.20mm 8 - 30mm ± 0.40mm 30 - 120mm ± 0.50mm  <small>UNLESS OTHERWISE SPECIFIED TOLERANCES FOR INCHES ARE:</small> .020 - .315 = ± 0.007" .315 - 1.180 = ± 0.015" 1.180 - 4.724 = ± 0.020"	APPROVALS	DATE	<h1 style="color: blue; text-align: center;">Amphenol Connex</h1>							
7					DRAWN	G.R.S.					07/20/05			
6					CHECKED			<b>PART DESCRIPTION</b> <b>SMA CRIMP PLUG – REVERSE POLARITY</b> <b>(FOR TIMES LMR-200)</b>						
5					ISSUED									
4	FERRULE	COPPER	GOLD		1	SHEET	1 OF 1	<b>PART NO.</b> <b>132234RP</b>						
3	CONTACT PIN	BER. COPPER	GOLD	1	CAD FILE	C:/132/132234RP.DWG	<b>DWG. NO.</b>					132234RP.DWG	<b>REV.</b>	A
2	INSULATOR	TEFLON	NATURAL	1										
1	BODY	BRASS	GOLD	1										
	DESCRIPTION	MATERIAL	FINISH	QTY	DO NOT SCALE DRAWING									