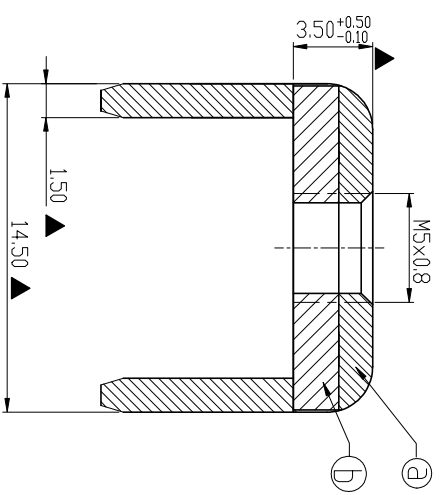
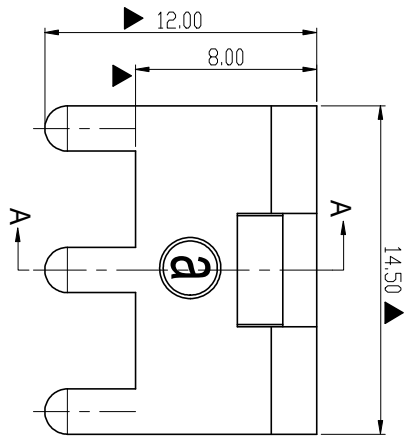


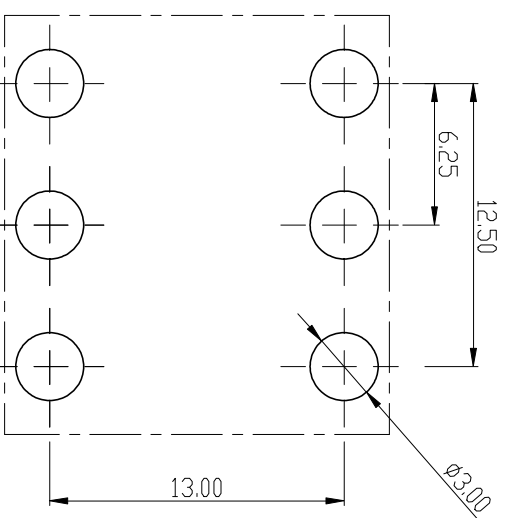
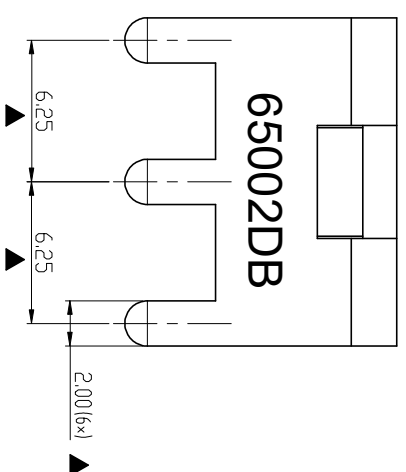
RoHS Compliant

Rev.	Sign	Date	Description	Approver
THIS IS CAD DRAWING, DO NOT REVISE MANUALLY!!!				

Technical Specification:  
 1. Current: 90A.  
 2. Torque: 15 lbf.in.  
 3. Mark "▲" is the Critical dimension.



SECTION A-A



PCB LAYOUT

(b)	Spacer	Steel, Matte Tin Plated	1PCS
(a)	Terminal	Copper alloy, Matte Tin Plated	1PCS
ITEM	PART NAME	DESCRIPTION	Qty

**Amphenol**  
**ANYTEK**

**CUSTOMER COPY**

ALL RIGHTS RESERVED. REPRODUCTION OR ISSUE TO THIRD PARTIES IN ANY FORM WHATSOEVER IS NOT PERMITTED WITHOUT WRITTEN AUTHORITY FROM THE PROPRIETOR, PROPERTY OF ANYTEK TECHNOLOGY CO., LTD

TITLE	AMT65002DB Stamped terminal		
PART NO.	AMT0650002DB0000G	DWG NO.	8AMT10032
APPROVED	CHECKED	DESIGNED	DRAWN
	Seamus 2023.10.23	Seamus 2023.10.23	Seamus 2023.10.23
		CUST NO.	
		UNIT: mm	Tolerance
		SCALE: NONE	>30 ±0.60
		REV: A0	6-30 ±0.40
			0-6 ±0.30
			ANGLES ±1°

1 2 3 4 5 6 7