



Neohm | Neohm CPF

TE Internal #: 1-2176236-3

Precision Resistor, Thin Film, 0402, .0625 W, 200 ohm, .1 %, ±25 ppm/°C, Solder, 2 Termination, Height .3 mm [.012 in], Neohm CPF

[View on TE.com >](#)

Passive Components > Resistors > Surface Mount Resistors



Resistor Type: **Precision Resistor**

Element Type: **Thin Film**

Package Size Code: **0402**

Power Rating: **.0625 W**

Resistance Value: **200 Ω**

### Features

#### Product Type Features

Resistor Type	Precision Resistor
Element Type	Thin Film
Package Size Code	0402

#### Configuration Features

Number of Resistors	1
---------------------	---

#### Electrical Characteristics

Operating Voltage	25 V
Power Rating	.0625 W
Resistance Value	200 Ω
Resistance Class	Up to 1kΩ
Passive Component Tolerance	.1 %

#### Termination Features

Surface Mount Resistor Termination Type	Solder
Number of Terminations	2



**Dimensions**

Product Height	.3 mm[.012 in]
Product Length	1 mm[.039 in]
Product Width	.5 mm[.02 in]

**Usage Conditions**

Operating Temperature Range	-55 – 155 °C
Temperature Coefficient	±25 ppm/°C

**Industry Standards**

Moisture Sensitivity Level	1
----------------------------	---

**Packaging Features**

Packaging Method	Taped & Reeled
------------------	----------------

**Product Compliance**

[For compliance documentation, visit the product page on TE.com>](#)

EU RoHS Directive 2011/65/EU	Compliant
EU ELV Directive 2000/53/EC	Compliant
China RoHS 2 Directive MIIT Order No 32, 2016	No Restricted Materials Above Threshold
EU REACH Regulation (EC) No. 1907/2006	Current ECHA Candidate List: JUNE 2024 (241) Candidate List Declared Against: JUNE 2024 (241) Does not contain REACH SVHC
Halogen Content	BFR/CFR/PVC Free, but Br/Cl >900 ppm in other sources.
Solder Process Capability	Reflow solder capable to 260°C

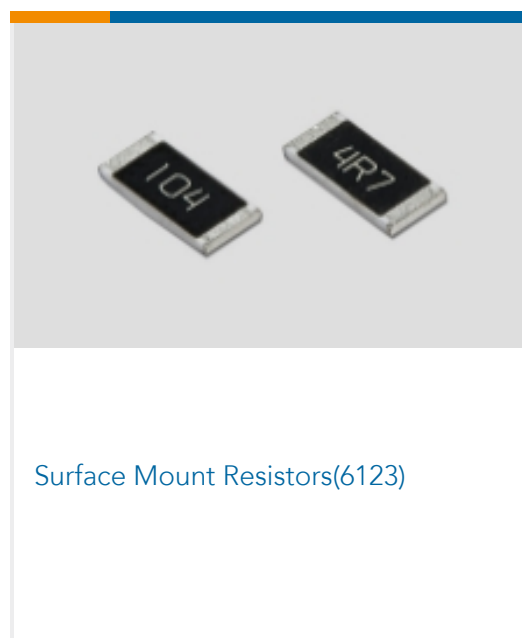
Product Compliance Disclaimer

This information is provided based on reasonable inquiry of our suppliers and represents our current actual knowledge based on the information they provided. This information is subject to change. The part numbers that TE has identified as EU RoHS compliant have a maximum concentration of 0.1% by weight in homogenous materials for lead, hexavalent chromium, mercury, PBB, PBDE, DBP, BBP, DEHP, DIBP, and 0.01% for cadmium, or qualify for an exemption to these limits as defined in the Annexes of Directive 2011/65/EU (RoHS2). Finished electrical and electronic equipment products will be CE marked as required by Directive 2011/65/EU. Components may not be CE marked. Additionally, the part numbers that TE has identified as EU ELV compliant have a maximum concentration of 0.1% by weight in homogenous materials for lead, hexavalent chromium, and mercury, and 0.01% for cadmium, or qualify for an exemption to these limits as defined in the Annexes of Directive 2000/53/EC (ELV). Regarding the REACH Regulation, the information TE provides on SVHC in articles for this part number is based on the latest European Chemicals Agency (ECHA) 'Guidance on requirements for substances in articles' posted at this URL: <https://echa.europa.eu/guidance-documents/guidance-on-reach>

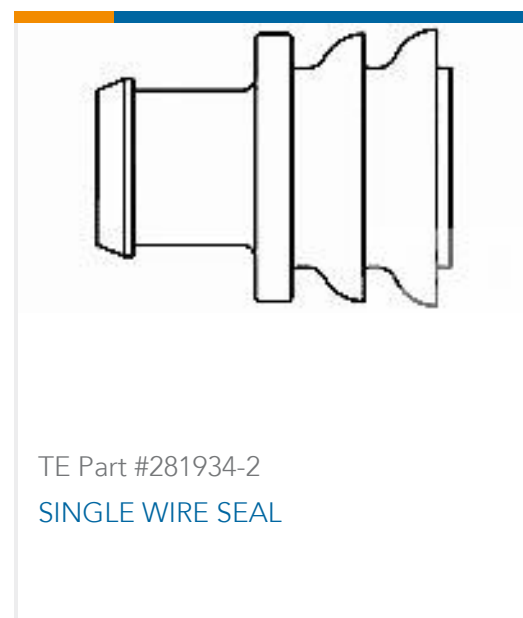
## Compatible Parts



## Also in the Series | Neohm CPF



## Customers Also Bought



## Documents

### Product Drawings

CPF A 0402 200R 0.1% 25PPM 5K RL

English

### Datasheets & Catalog Pages

CPF-A-0402B200RE

Precision Resistor, Thin Film, 0402, .0625 W, 200 ohm, .1 %,  $\pm 25$  ppm/ $^{\circ}$ C, Solder, 2 Termination, Height .3 mm [.012 in], Neohm CPF



## Automotive Grade Thin Film Chip Resistor - Type CPF-A Series

English