



## 【4. 仕様 SPECIFICATION】

番号 NUMBER	項目 ITEM	仕様 REQUIREMENT
①	バンドアップ BEND UP	4°以下 / MAX.
	バンドダウン BEND DOWN	3°以下 / MAX.
	ツイスト TWISTING	3°以下 / MAX.
	ローリング ROLLING	4°以下 / MAX.
②	ベルマウス (参考値) BELL MOUTH (REF.)	0.05 ~ 0.35 mm
③	カットオフタブ長さ CUT OFF TAB LENGTH	0 ~ 0.15 mm以下 / MAX.
④	芯線突き出し長さ EXTRUDED WIRE LENGTH	0 ~ 0.5 mm
⑤	シーム SEAM	シームは閉じていること。但し開きのある場合は芯線の飛び出しなきこと。 SEAM SHALL NOT BE OPENED AND NOT WIRE ALLOWED OUT OF CRIMPING THE AREA.
≠	絶縁被覆むき長さ (参考値) WIRE STRIP LENGTH (REF.)	1.3 ~ 1.8 mm

## 【5. 圧着条件 (⑥及び⑦) CONDITIONS】

電線(UL1007相当品)を圧着した際の要件は下記による。

AFTER CRIMPING THE STRAND WIRE (EQUIVALENT TO UL1007), THE CRIMPED AREAS SHOULD BE AS FOLLOWS.

ターミナル 番号 TERMINAL NO.	電線サイズ WIRE SIZE (AWG)	圧着 ツール番号 CRIMP DIE MODEL NO.	⑥芯線圧着部高さ CONDUCTOR CRIMP HEIGHT		⑦被覆圧着部 INSULATION		圧着部引張強度 CRIMP STRENGTH (N {Kgf})
			工具 マーク TOOL MARK	高さ HEIGHT (mm)	工具 マーク TOOL MARK	参考高さ HEIGHT (REF.) (mm)	
50394 -8***	#24 (*1)	57315 -3000	C	0.60 ~0.65	6	1.35	29.4{3.0}以上 / MIN.
	#26		C	0.59 ~0.64	6	1.35	19.6{2.0}以上 / MIN.
	#28		B	0.56 ~0.61	6	1.30	9.8{1.0}以上 / MIN.
	#30		A	0.53 ~0.58	5	1.30	4.9{0.5}以上 / MIN.

注) \*1 UL1061相当品を圧着した際の条件

NOTE. AFTER CRIMPING WIRE (EQUIVALENT TO UL1061), THE CRIMPED AREA SHOULD BE AS FOLLOWS.

REVISE ON PC ONLY		TITLE:			
<b>A</b>	SEE SHEET 1 OF 4	1.25 W/B CONN. RECEPTACLE CRIMP TERMINAL <b>圧着仕様書</b>			
	REV.	DESCRIPTION	THIS DOCUMENT CONTAINS INFORMATION THAT IS PROPRIETARY TO MOLEX ELECTRONIC TECHNOLOGIES, LLC AND SHOULD NOT BE USED WITHOUT WRITTEN PERMISSION		
DOCUMENT NUMBER CS-50394		DOC. TYPE PSD	DOC. PART 001	CUSTOMER GENERAL MARKET	SHEET 2 OF 4

【6. 消耗部品一覧表 PERISHABLE PARTS LIST】

部品名称 PART NAME	部品番号 PART NO.
アンビル ANVIL	57175-2101
芯線クリンプパンチ COND. PUNCH	57175-2102
被覆クリンプパンチ INS. PUNCH	57175-2103
フロントフローティングシェア FRONT FLOATING SHEAR	57067-2006
フロントホルダー FRONT HOLDER	57067-2005

REVISE ON PC ONLY

**A**

SEE SHEET 1 OF 4

TITLE:

1.25 W/B CONN.  
RECEPTACLE CRIMP TERMINAL

**圧着仕様書**

THIS DOCUMENT CONTAINS INFORMATION THAT IS PROPRIETARY TO MOLEX ELECTRONIC TECHNOLOGIES, LLC AND SHOULD NOT BE USED WITHOUT WRITTEN PERMISSION

REV.

DESCRIPTION

DOCUMENT NUMBER  
CS-50394

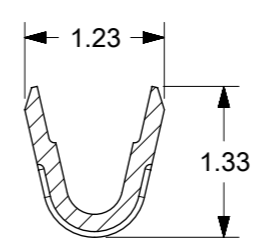
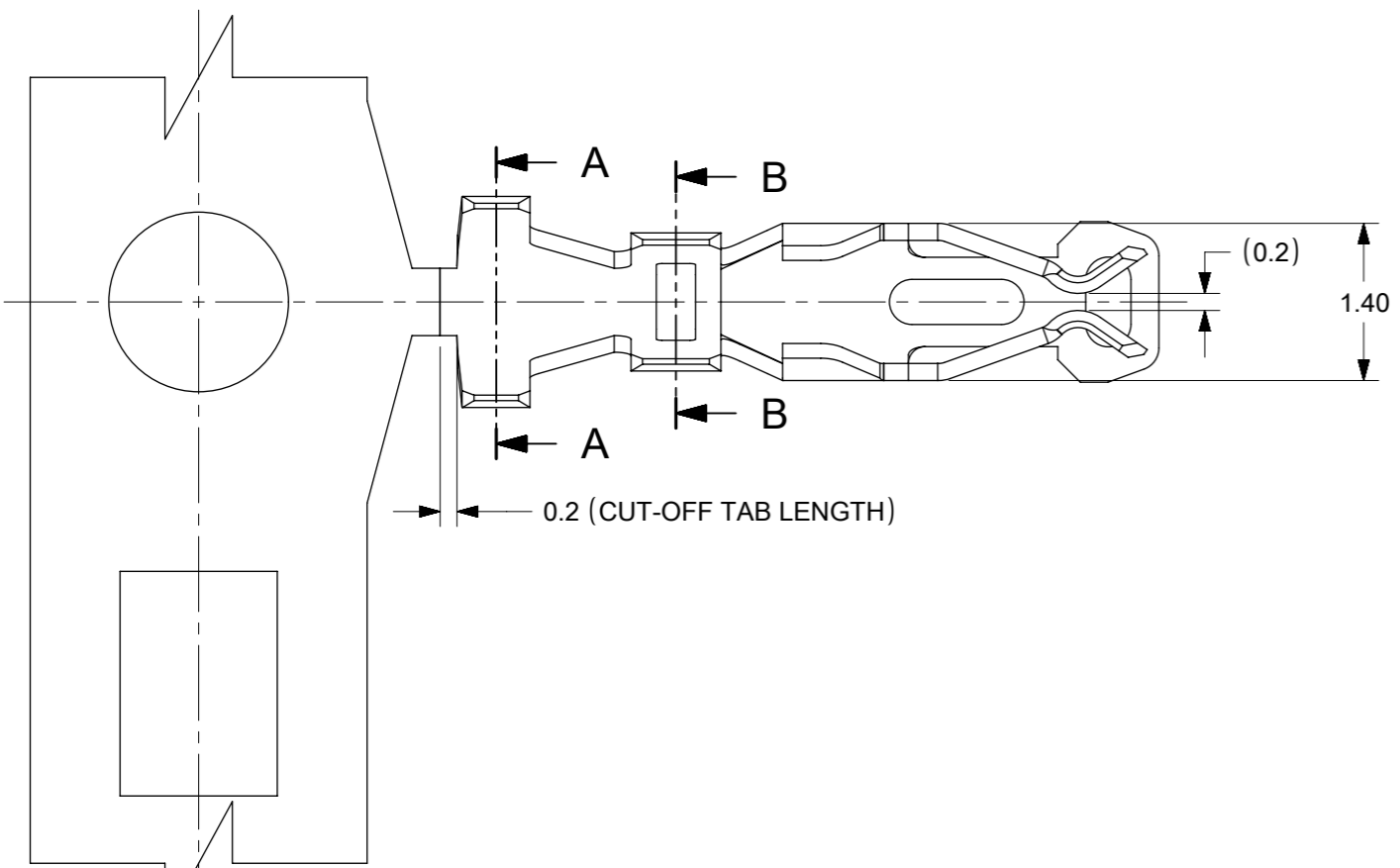
DOC. TYPE  
PSD

DOC. PART  
001

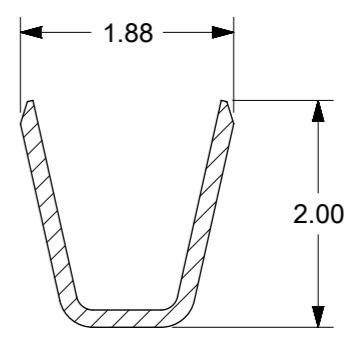
CUSTOMER  
GENERAL MARKET

SHEET  
3 OF 4

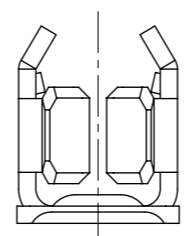
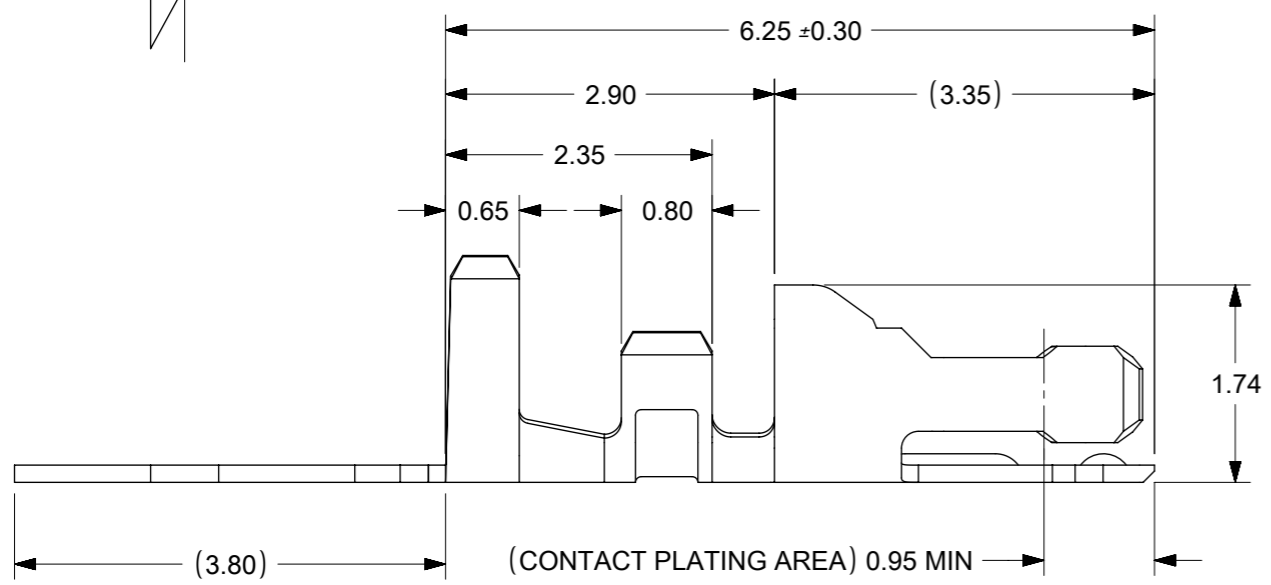




SECTION B-B



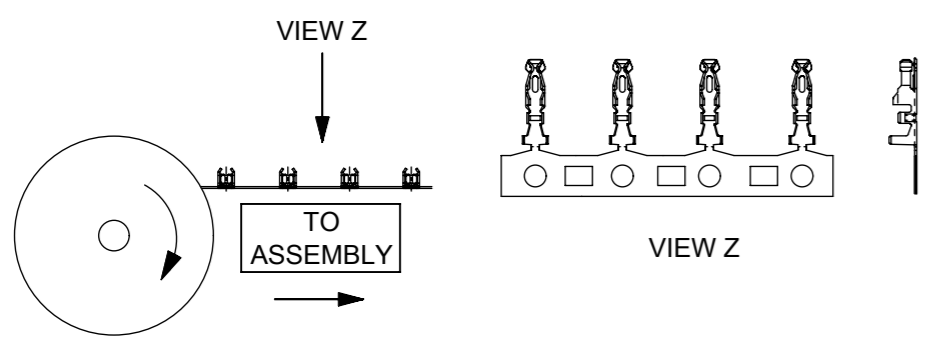
SECTION A-A



ENG. P/NS		CONTACT PLATING (NICKEL OVERALL 2-6 μm MIN)
FORM : LOOSE	FORM : CHAIN	
50394-8100	50394-8051	0.38μm GOLD MIN.
50394-8200	50394-8052	0.76μm GOLD MIN.
50394-8400	50394-8054	GOLD FLASH 0.05 - 0.125μm
50394-8500	50394-8055	2.50μm MATTE TIN MIN.

- NOTES :
- MATERIAL: COPPER ALLOY
  - APPLICABLE HOUSING : 51110-\*\*\*1  
: 51110-\*\*5\*  
: 151100-00\*\*
  - APPLICABLE WIRE: AWG #24-#30  
WIRE INSULATION OD: 1.40mm MAX.
  - CRIMPING SPECIFICATION: CS-50394

WINDING DIRECTION



THIS DRAWING CONTAINS INFORMATION THAT IS PROPRIETARY TO MOLEX ELECTRONIC TECHNOLOGIES, LLC AND SHOULD NOT BE USED WITHOUT WRITTEN PERMISSION													
QUALITY SYMBOLS	RE-MASTERED IN ELECTR	EC NO: 116436	DRWN: MUM	CHKD: GMENARLY	REV APPR: KHLIM	GENERAL TOLERANCES (UNLESS SPECIFIED)		DIMENSION UNITS		SCALE			
						MM	INCH	MM	NTS				
▽ = 0	2016/08/17	2017/05/08	2017/05/19	4 PLACES	±	±	DRWN BY	DATE					
▽ = 0				3 PLACES	±	±	S.Q	1994/04/20					
▽ = 0				2 PLACES	± 0.2	±	CHK'D BY	DATE		SALES DRAWING 2.0MM GRID W TO B CONN. CRIMP TERMINAL			
▽ = 0				1 PLACES	±	±	EDPOH	1994/04/27					
▽ = 0				0 PLACES	±	±	APPR BY	DATE		PRODUCT CUSTOMER DRAWING			
▽ = 0							LBLEE	2013/11/13					
▽ = 0				ANGULAR TOL = 3.0			DRAWING SIZE	THIRD ANGLE PROJECTION		SERIES	MATERIAL NUMBER	CUSTOMER	
▽ = 0				DRAFT WHERE APPLICABLE MUST REMAIN WITHIN DIMENSIONS			A3			50394	SEE TABLE	GENERAL MARKET	
▽ = 0										DOCUMENT NUMBER	DOC TYPE	DOC PART	SHEET NUMBER
										SD-50394-8XXX	PSD	000	1 OF 1

RELEASE STATUS	RELEASE DATE
----------------	--------------