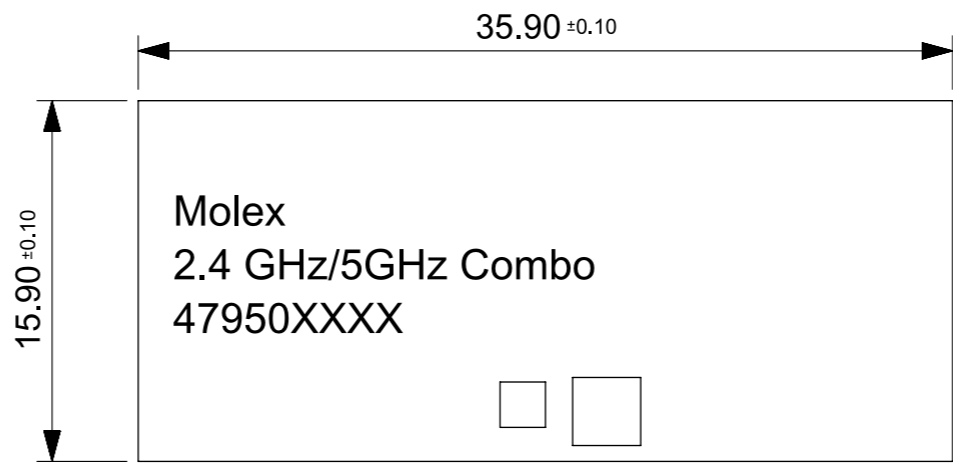


| MOLEX | | | | | CUSTOMER | | 3D REV | CHANGE INFORMATION | | |
|--------------|-----|--------------|------------|-----------|----------|--------|--------|---|--------------------|---------------|
| DRAWING NO. | REV | ECN NO. | DATA | P/N | P/N | 2D REV | | DRAWING LOCATION | CHANGE DESCRIPTION | AFFECTED DEPT |
| SD-47950-411 | A | ABU2012-0051 | 2014/02/21 | 479504011 | | | ALL | SIMPLY ASSY DIMS FOR SD DRAWING | AQP/ME/PE/POP | |
| SD-47950-411 | B | ABU2016-0025 | 2015/09/10 | 479504011 | | | ALL | ADD CONNECTOR INFORMATION, CHANGE PSA MATERIAL FROM 3M 966 TO 3M 9077 | AQP/ME/PE/POP | |
| SD-47950-411 | C | 111421 | 2016/12/14 | 479504011 | | | ALL | NO DESIGN CHANGE BUT ONLY UPDATE NOTES ERROR | AQP/ME/PE/POP | |
| SD-47950-411 | D | 118301 | 2017/06/20 | 479504011 | | | ALL | CLEAN DRAWING, NO DESIGN CHANGE | | |

NOTE:
 1.Material: Flex 35.9mm * 16mm
 Thickness:
 PSA: 3M9077
 Pl: 50um
 Base Copper: 18~20um
 2.Cover coat: black.



| | | | | | | | | | | | | | | |
|---|---|---|--|-----------------|------------|--------------|--|------------------------|-------------------------------|-----------------|----------|--------------|--|--|
| THIS DRAWING CONTAINS INFORMATION THAT IS PROPRIETARY TO MOLEX ELECTRONIC TECHNOLOGIES, LLC AND SHOULD NOT BE USED WITHOUT WRITTEN PERMISSION | | | | | | | | | | | | | | |
| QUALITY SYMBOLS | EC DESCRIPTION EC NO: 0099/99/99 DRWN: 99/99/99 CHK'D: 99/99/99 APPR: 99/99/99 | GENERAL TOLERANCES (UNLESS SPECIFIED) ANGULAR TOL ± 0.5 ° | | DIMENSION UNITS | SCALE | | | | | | | | | |
| | | 4 PLACES ± 0.0000 | | mm | 1:1 | | | | | | | | | |
| | | 3 PLACES ± 0.0000 | | DRWN BY | DATE | | | | | | | | | |
| | | 2 PLACES ± 0.0000 | | ZLRAO | 2017/06/20 | CHK'D BY | | DATE | 2.4/5GHzStand alone 16mm-Assy | | | | | |
| | | 1 PLACE ± 0.00 | | Gao Yuxi | 2016/12/14 | APPR BY | | DATE | PRODUCT DESIGN DRAWING | | | | | |
| | | 0 PLACES ± 0.00 | | Jimmy Wang | 2017/06/20 | DRAWING SIZE | | THIRD ANGLE PROJECTION | SERIES | MATERIAL NUMBER | CUSTOMER | | | |
| | | DRAFT WHERE APPLICABLE MUST REMAIN WITHIN DIMENSIONS | | A3 | | | | 47950 | SEE TABLE | GENERAL MARKET | | | | |
| | | | | | | | | | DOCUMENT NUMBER | DOC TYPE | DOC PART | SHEET NUMBER | | |
| | | | | | | | | | SD-47950-411 | XXX | XXX | 1 OF 2 | | |

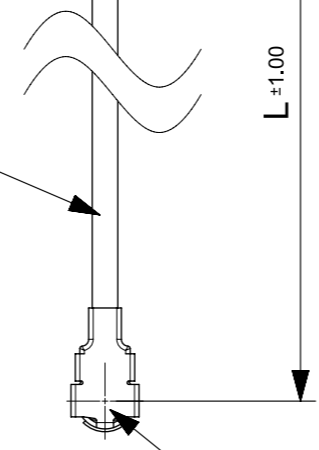
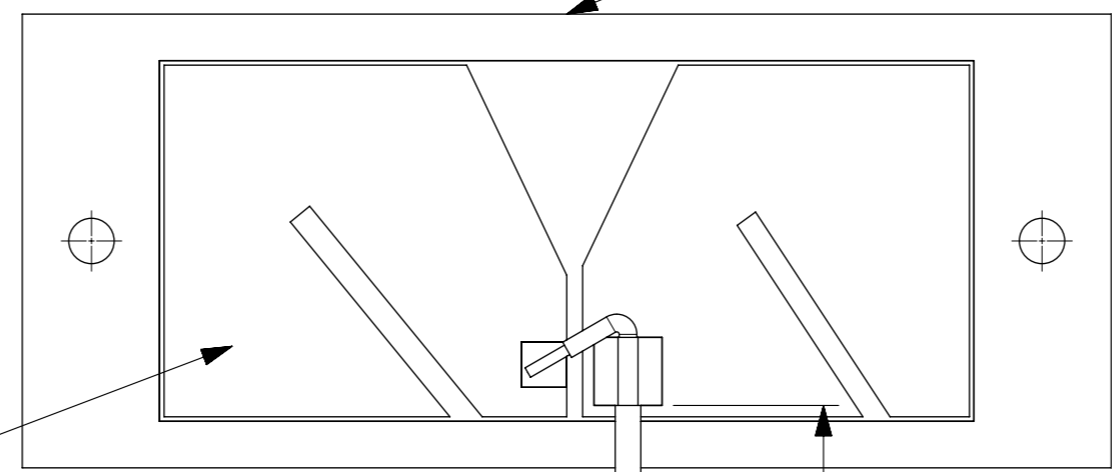
| | |
|----------------|--------------|
| RELEASE STATUS | RELEASE DATE |
|----------------|--------------|

3. 2.4/5GHz stand alone 16mm ASSY

2. FLEX1 FOR 2.4/5GHz STAND ALONE 16MM

1. CABLE 1 FOR 2.4/5GHz STAND ALONE 16MM

NOTE:
 1. The dimension with tolerance in box should be controlled by flex supplier and tolerance of other dimension $\pm 0.2\text{mm}$
 2. The cable line can not be rotated with the weld point for more than 60 degrees.
 3. For pull test, can not lift up in the vertical direction



| ITEM | CABLE TYPE | THE LENGTH OF DIMENSION "L" |
|------|-------------|-----------------------------|
| 1 | Cable 300mm | 290.88MM |

CONNECTOR:OD1.13 RF 2.5H PLUG

| | | | | | | | | | | | | |
|---|--|---|--|--|---|--|--|-----------------------------------|--|--|--|--|
| THIS DRAWING CONTAINS INFORMATION THAT IS PROPRIETARY TO MOLEX ELECTRONIC TECHNOLOGIES, LLC AND SHOULD NOT BE USED WITHOUT WRITTEN PERMISSION | | | | | | | | | | | | |
| QUALITY SYMBOLS FA = 0 FE = 0 FP = 0 FV = 0 FC = 0 FX = 0 FS = 0 FT = 0 | | EC DESCRIPTION EC NO: 0099/99/99 DRWN: 99/99/99 CHK'D: 99/99/99 APPR: 99/99/99 | | | GENERAL TOLERANCES (UNLESS SPECIFIED) ANGULAR TOL $\pm 0.5^\circ$ 4 PLACES ± 0.00000 3 PLACES ± 0.00000 2 PLACES ± 0.0000 1 PLACE ± 0.00 0 PLACES ± 0.00 DRAFT WHERE APPLICABLE MUST REMAIN WITHIN DIMENSIONS | | | DIMENSION UNITS: mm SCALE: 2:1 | | | | |
| DRWN BY: ZLRAO CHK'D BY: Gao Yuxi APPR BY: Jimmy Wang | | DATE: 2017/06/20 DATE: 2016/12/14 DATE: 2017/06/20 | | | PRODUCT DESIGN DRAWING | | | | | | | |
| DRAWING SIZE: A3 THIRD ANGLE PROJECTION | | SERIES: 47950 MATERIAL NUMBER: SEE TABLE CUSTOMER: GENERAL MARKET | | | DOCUMENT NUMBER: SD-47950-411 DOC TYPE: XXX DOC PART: XXX SHEET NUMBER: 2 OF 2 | | | | | | | |

| | |
|----------------|--------------|
| RELEASE STATUS | RELEASE DATE |
|----------------|--------------|