

10 9 8 7 6 5 4 3 2 1

F

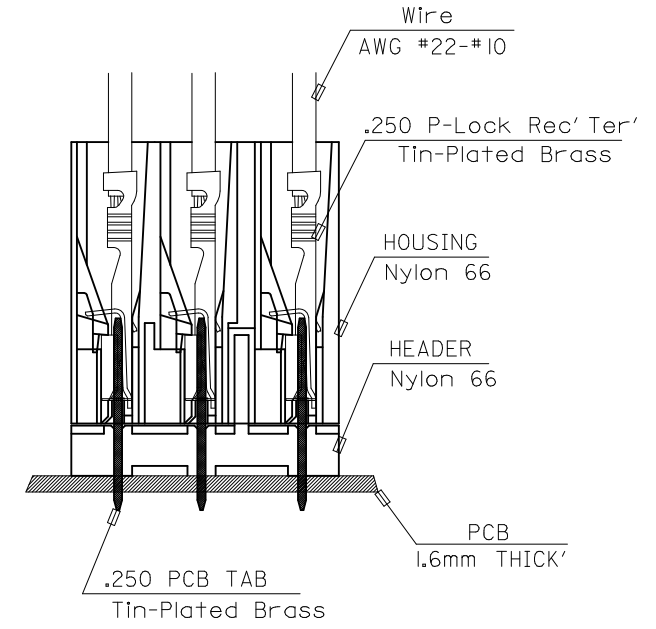
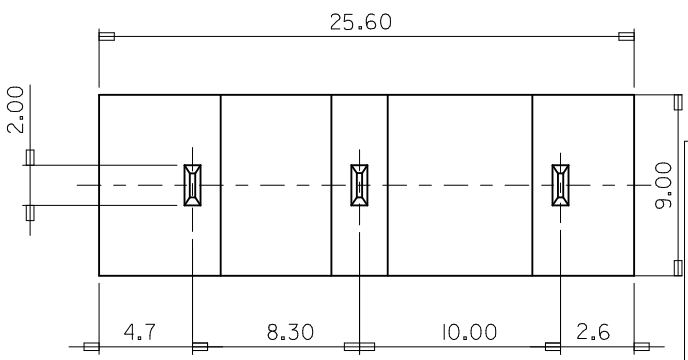
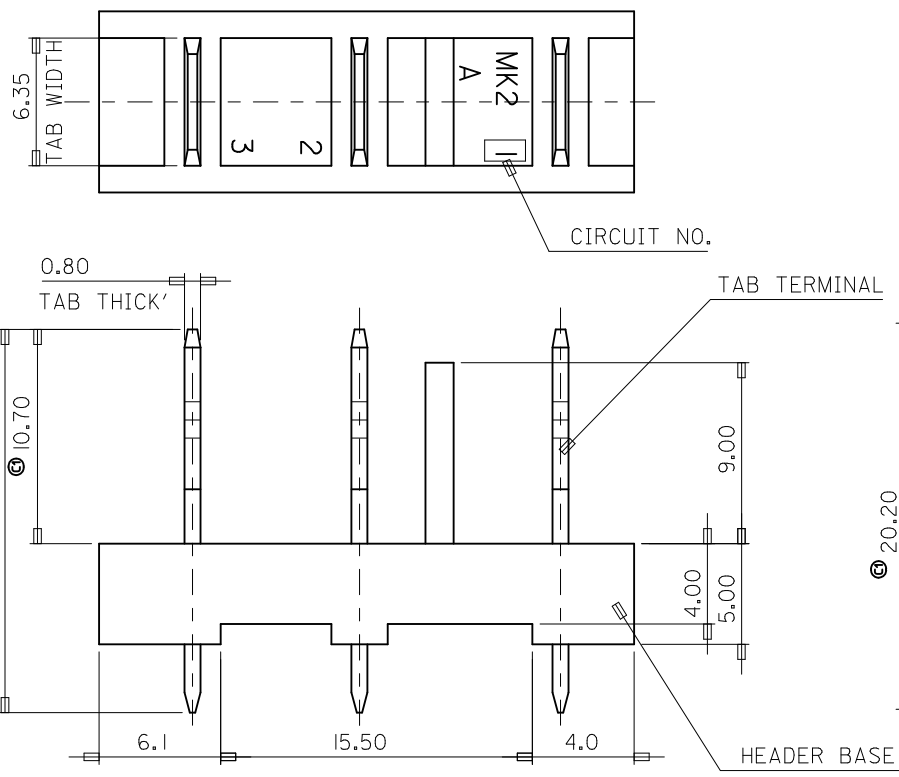
E

D

C

B

A



ASS'Y PART

NOTES

- 1. MATERIAL : HEADER BASE: NYLON66 UL94V-2
TAB TERMINAL : TIN PLATED BRASS
- 2. MATES WITH : 35959-0300

MATERIAL NO.	ENG NO.	COLOR
359600300	35960-0300	NATURAL
359600302	35960-0302	RED

REVISED EC NO: KOR2012-0021 DRWN: JHPARK01 2011/09/15 CHKD: APPR: YUNSIKKIM 2011/09/16 DESCRIPTION	QUALITY SYMBOLS	GENERAL TOLERANCES (UNLESS SPECIFIED)		DIMENSION STYLE		SCALE	DESIGN UNITS	THIRD ANGLE PROJECTION		
	▽=0 ▽=0	mm	INCH	MM ONLY		4:1	METRIC	MOLEX INCORPORATED SD-35960-001		
	4 PLACES	± ---	± ---	DRAWN BY	DATE					TITLE
	3 PLACES	± ---	± ---	WY. YANG	1998/04/10					.250 W/B HEADER-3P
2 PLACES	± 0.3	± ---	CHECKED BY	DATE						
1 PLACE	± 0.3	± ---	BK. CHOI	1998/04/10						
	ANGULAR ± 1 °		APPROVED BY	DATE						
	DRAFT WHERE APPLICABLE MUST REMAIN WITHIN DIMENSIONS		CW. LEE	1998/04/10						
			MATERIAL NO.	SEE TABLE		DOCUMENT NO.	SD-35960-001		SHEET NO.	
			SIZE	A3		THIS DRAWING CONTAINS INFORMATION THAT IS PROPRIETARY TO MOLEX INCORPORATED AND SHOULD NOT BE USED WITHOUT WRITTEN PERMISSION				

9 8 7 6 5 4 3 2 1