

MATERIALS AND FINISHES

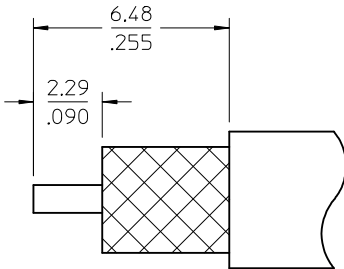
BODY, COUPLING NUT: SEE TABLE  
PLATED SEE TABLE

CONTACT: BRASS  
PLATED SEE TABLE

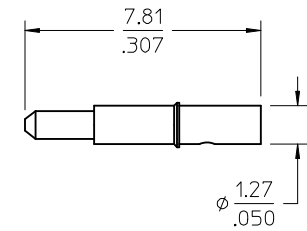
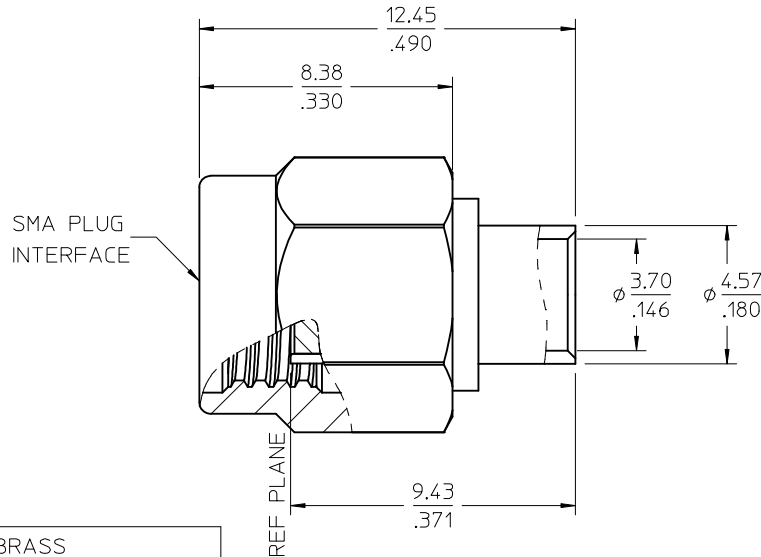
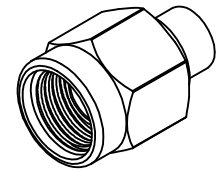
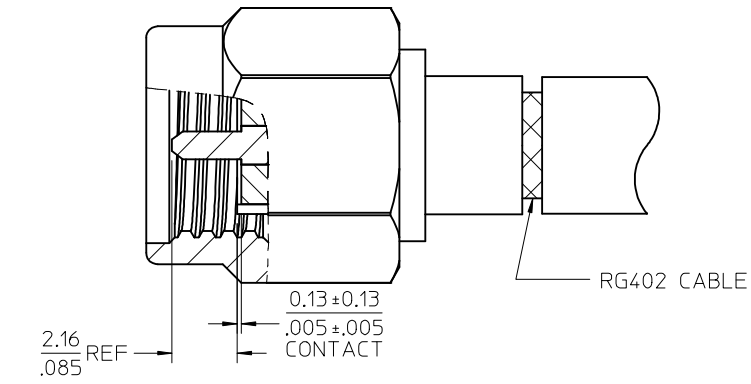
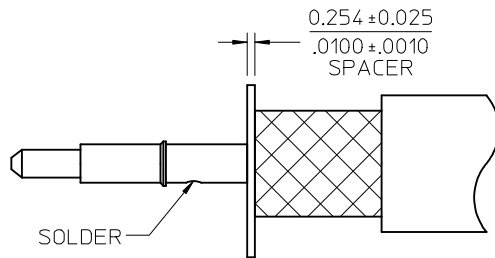
INSULATOR: TEFLON

GASKET: SILICONE RUBBER

C'RING: BERYLLIUM COPPER



RECOMMENDED CABLE STRIP



73251-0735	GOLD (1u MIN)	GOLD (5u MIN)	GOLD (1u MIN)	BRASS
73251-0734	GOLD (10u MIN)	GOLD (30u MIN)	GOLD (1u MIN)	BRASS
73251-0733	GOLD (30u MIN)	GOLD (30u MIN)	PASSIVATED	STAINLESS STEEL
73251-0732	GOLD (30u MIN)	GOLD (30u MIN)	GOLD (5u MIN)	STAINLESS STEEL
73251-0731	TRI-METAL	GOLD (30u MIN)	NICKEL(70u MIN)	BRASS
73251-0730	GOLD (10u MIN)	GOLD (10u MIN)	GOLD (1u MIN)	BRASS
PART NO.	BODY	CONTACT	COUPLING NUT	BODY/COUPLING NUT

PS-89675-3640	ELEX/MECH PERFORMANCE
MIL-STD-348A, FIG. 310.1	INTERFACE
SPECIFICATION	DESCRIPTION

CHG:ADDED -0735 PER PDR15082030	DESCRIPTION
EC NO: URF2016-0120	2015/08/17
DRW:RYEH	2015/08/17
CHKD:	
APPR:YCHENG	2015/08/17
REV	A5

QUALITY SYMBOLS	GENERAL TOLERANCES (UNLESS SPECIFIED)
▽=0	mm INCH
▽=0	4 PLACES ± --- ± ---
▽=0	3 PLACES ± --- ± ---
	2 PLACES ± --- ± ---
	1 PLACE ± --- ± ---
	0 PLACE ± ±
	ANGULAR ± 2 °
	DRAFT WHERE APPLICABLE MUST REMAIN WITHIN DIMENSIONS

DIMENSION STYLE	SCALE	DESIGN UNITS	THIRD ANGLE PROJECTION
MM/IN	8:1	METRIC	
DRAWN BY	DATE	TITLE	
SSS	2000/07/06	SMA PLUG STR RG402	
CHECKED BY	DATE	50 OHMS, EWR-3418	
TEF	2000/07/06	SMA-PC	
APPROVED BY	DATE		
GMH	2000/07/06		
MATERIAL NO.	DOCUMENT NO.		
SEE TABLE	SD-73251-073		
SIZE			
C			

SHEET NO.	1 OF 1
THIS DRAWING CONTAINS INFORMATION THAT IS PROPRIETARY TO MOLEX INCORPORATED AND SHOULD NOT BE USED WITHOUT WRITTEN PERMISSION	

MATERIALS AND FINISHES

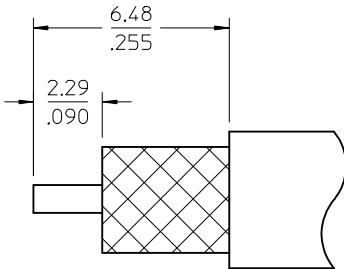
BODY, COUPLING NUT: SEE TABLE  
PLATED SEE TABLE

CONTACT: BRASS  
PLATED SEE TABLE

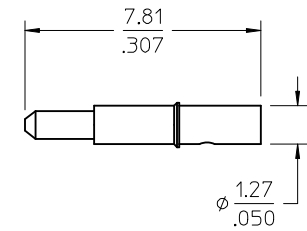
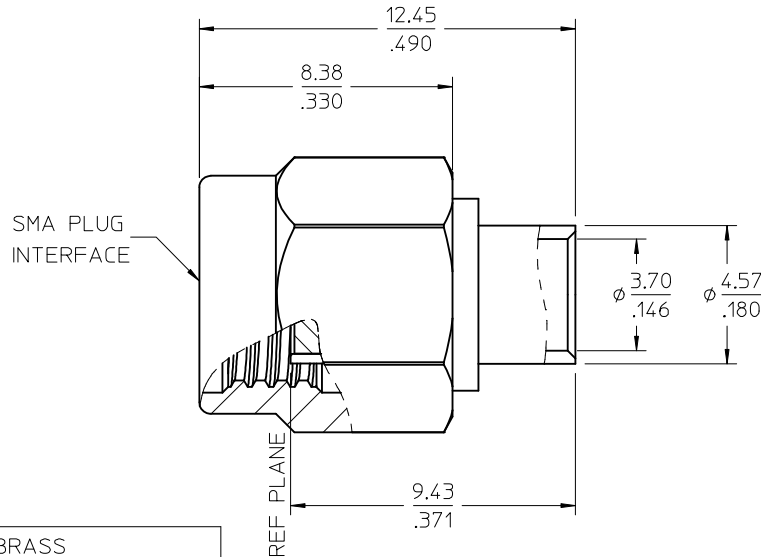
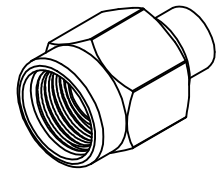
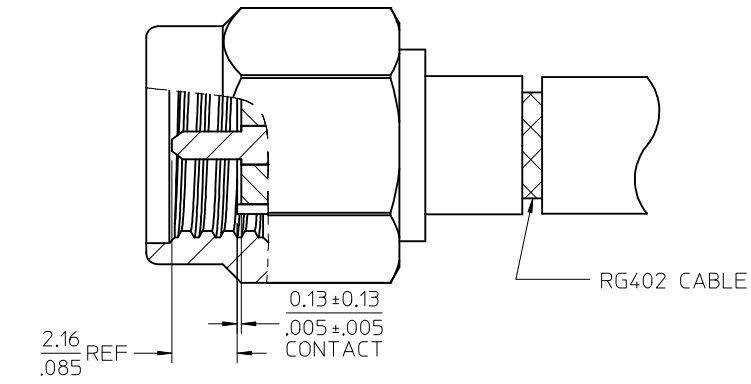
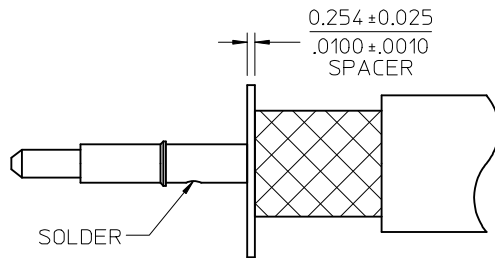
INSULATOR: TEFLON

GASKET: SILICONE RUBBER

C'RING: BERYLLIUM COPPER



RECOMMENDED CABLE STRIP



73251-0735	GOLD (1u MIN)	GOLD (5u MIN)	GOLD (1u MIN)	BRASS
73251-0734	GOLD (10u MIN)	GOLD (30u MIN)	GOLD (1u MIN)	BRASS
73251-0733	GOLD (30u MIN)	GOLD (30u MIN)	PASSIVATED	STAINLESS STEEL
73251-0732	GOLD (30u MIN)	GOLD (30u MIN)	GOLD (5u MIN)	STAINLESS STEEL
73251-0731	TRI-METAL	GOLD (30u MIN)	NICKEL(70u MIN)	BRASS
73251-0730	GOLD (10u MIN)	GOLD (10u MIN)	GOLD (1u MIN)	BRASS
PART NO.	BODY	CONTACT	COUPLING NUT	BODY/COUPLING NUT

PS-89675-3640	ELEX/MECH PERFORMANCE
MIL-STD-348A, FIG. 310.1	INTERFACE
SPECIFICATION	DESCRIPTION

CHG:ADDED -0735 PER PDR15082030	DESCRIPTION
EC NO: URF2016-0120	2015/08/17
DRW:RYEH	2015/08/17
CHKD:	
APPR:YCHENG	2015/08/17
REV	A5

QUALITY SYMBOLS	GENERAL TOLERANCES (UNLESS SPECIFIED)
▽=0	mm INCH
▽=0	4 PLACES ± --- ± ---
▽=0	3 PLACES ± --- ± ---
	2 PLACES ± --- ± ---
	1 PLACE ± --- ± ---
	0 PLACE ± ±
	ANGULAR ± 2 °
	DRAFT WHERE APPLICABLE MUST REMAIN WITHIN DIMENSIONS

DIMENSION STYLE	SCALE	DESIGN UNITS	THIRD ANGLE PROJECTION
MM/IN	8:1	METRIC	
DRAWN BY	DATE	TITLE	
SSS	2000/07/06	SMA PLUG STR RG402	
CHECKED BY	DATE	50 OHMS, EWR-3418	
TEF	2000/07/06	SMA-PC	
APPROVED BY	DATE	molex	
GMH	2000/07/06	DOCUMENT NO. SD-73251-073	
MATERIAL NO.	SEE TABLE	SHEET NO. 1 OF 1	
SIZE	THIS DRAWING CONTAINS INFORMATION THAT IS PROPRIETARY TO MOLEX INCORPORATED AND SHOULD NOT BE USED WITHOUT WRITTEN PERMISSION		