

DO NOT SCALE DRAWING
DIMENSION IN METRIC

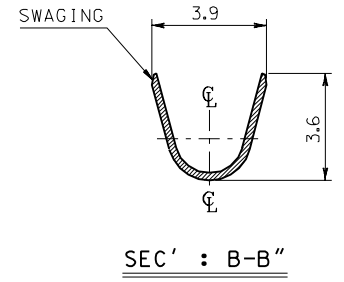
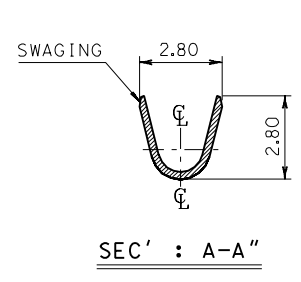
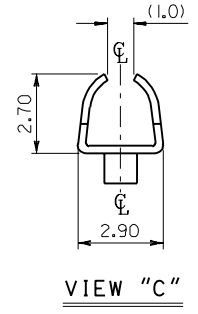
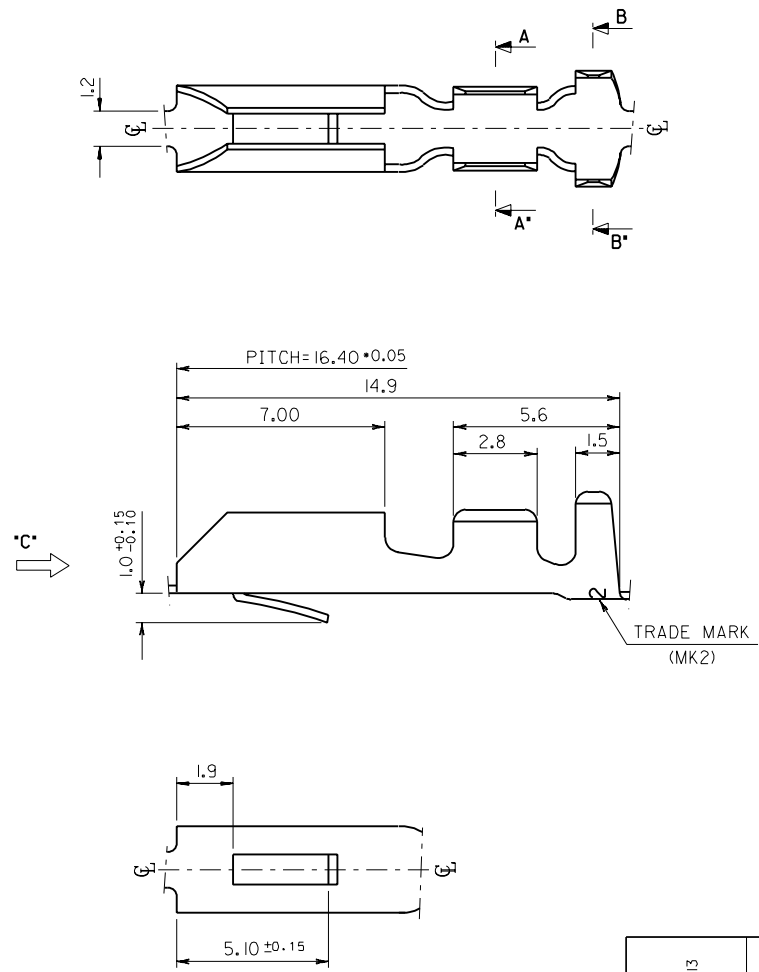
B

C

PROJECT NO.

SIMILAR ITEM

DWG. NO.
SD 35716-0310



- NOTES
1. MATERIAL : BRASS, 0.25mm THICKNESS
 2. FINISH : PRE-PLATED TIN
 3. MATING PIN : 2.36 DIA. PIN
 4. RECOMMENDED LENGTH OF WIRE STRIP IS 3.7-4.5mm.
 5. APPLICABLE WIRE RANGE : AWG #20-#18
INSULATION DIAMETER : 2.0 - 2.8mm

REVISED	EC NO. KOR2004-0068 DRWN: C.B.CHIN 03/11/13 CHK: W.Y.YANG APPR: C.W.LEE	DESCRIPTION	QUALITY SYMBOLS	GENERAL TOLERANCES: (UNLESS SPECIFIED)		SCALE	DESIGN UNITS	THIRD ANGLE PROJECTION	DIMENSIONS:		SHT	REV
			MAJOR =	mm	INCH	6:1	<input checked="" type="checkbox"/> mm <input type="checkbox"/> INCH		<input type="checkbox"/> mm <input type="checkbox"/> INCH	<input checked="" type="checkbox"/> mm ONLY	REVISE ON CAD ONLY	
B1	REV	REV	CRITICAL C =	4 PLACES	±0.	±.	DRAWN BY & DATE W.Y.YANG 92/04/21	TITLE: 2.36 DIA. PIN RECEPTACLE (L)	MOLEX INCORPORATED			
				3 PLACES	±0.	±.	CHECKED BY & DATE B.K.CHOI 92/04/21					
				2 PLACES	±0.30	±.	APPROVED BY & DATE C.W.LEE 92/04/21	MATERIAL NO.	DRAWING NO.	SHEET NO.	SIZE	
				1 PLACE	±0.30	±.	CAD FILENAME S7160310.DGN	357160310	SD-35716-0310	1 of 1	B	
				ANGULAR: ± °		DRAFT WHERE APPLICABLE MUST REMAIN WITHIN DIMENSIONS		THIS DRAWING CONTAINS INFORMATION THAT IS PROPRIETARY TO MOLEX INCORPORATED AND SHOULD NOT BE USED WITHOUT WRITTEN PERMISSION.				