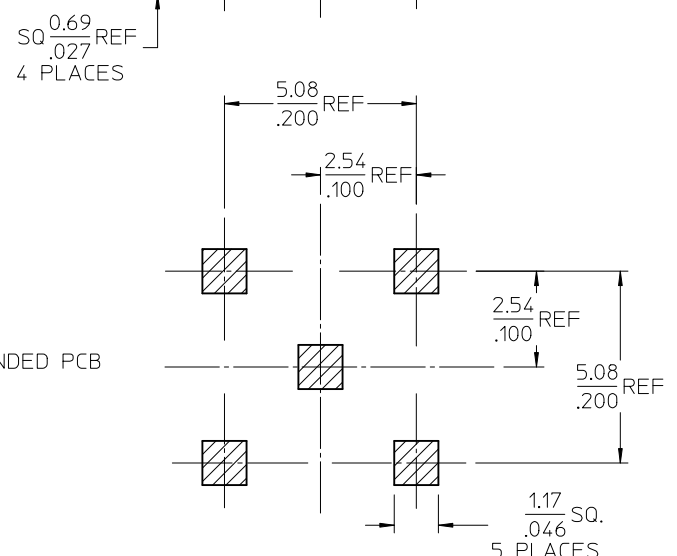
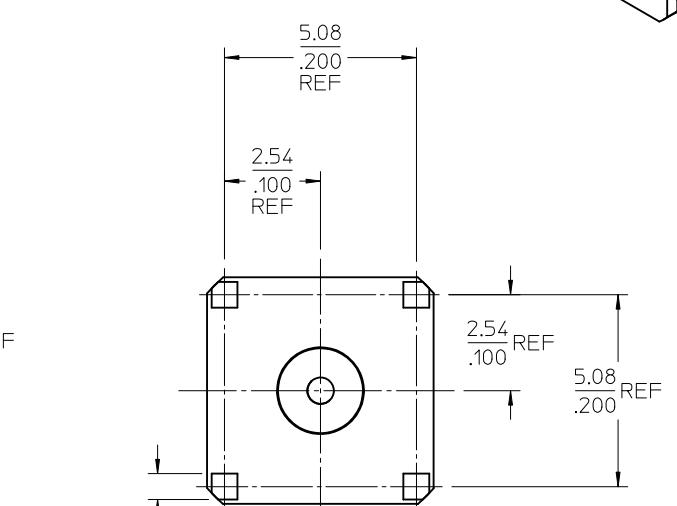
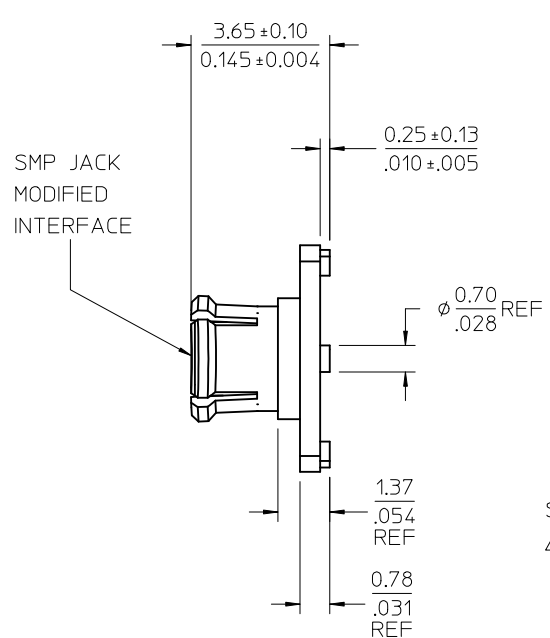
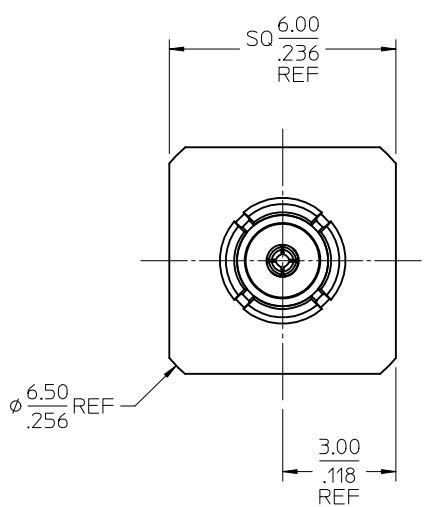
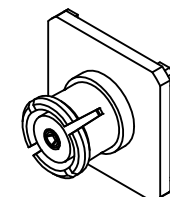


MATERIALS AND FINISHES

BODY: BERYLLIUM COPPER  
PLATED GOLD (10 MICROINCHES MIN)

CENTER CONTACT: BERYLLIUM COPPER  
PLATED GOLD (30 MICROINCHES MIN)

INSULATOR: TEFLON



PART # 73415-5300

CHG: UPDATED FRAME.  
ADDED SHEET 2.  
ADDED DIMENSIONS.

EC NO: URF2012-0762  
DRAWN: ROBERTSON 2012/06/15  
CHKD: SSS 2012/06/15  
APPR: JWIENER 2012/06/15

REV	DESCRIPTION
D2	

QUALITY SYMBOLS	
	= 0
	= 0
	= 0

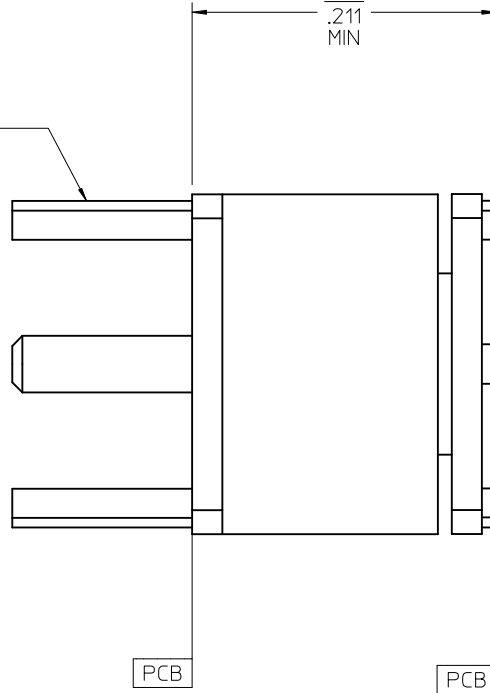
GENERAL TOLERANCES (UNLESS SPECIFIED)	
mm	INCH
4 PLACES ±	---
3 PLACES ±	---
2 PLACES ±	---
1 PLACE ±	---
0 PLACE ±	±

DIMENSION STYLE		SCALE	DESIGN UNITS	THIRD ANGLE PROJECTION
MM/IN			METRIC	
DRAWN BY	DATE	TITLE	SMP JACK MODIFIED INTERF 50 OHM VERT PCB SMT SMP-J/PCB, EWR-2735 <b>molex</b>	
SSS	2005/04/19			
CHECKED BY	DATE			
TEF	2005/04/19			
APPROVED BY	DATE	DOCUMENT NO.		SHEET NO.
JDW	2005/04/19	SD-73415-530		1 OF 2
MATERIAL NO.		THIS DRAWING CONTAINS INFORMATION THAT IS PROPRIETARY TO MOLEX INCORPORATED AND SHOULD NOT BE USED WITHOUT WRITTEN PERMISSION		
734155300				

73415-5300 MATED TO 73415-5310

73415-5310  
(NOT INCLUDED)

5.37  
.211  
MIN



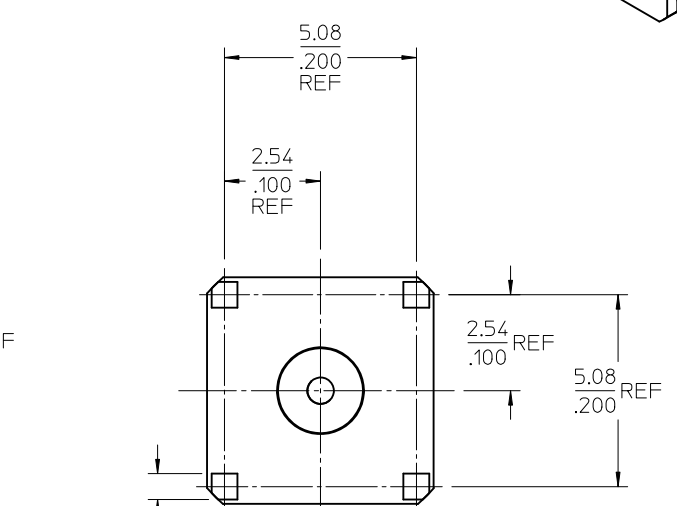
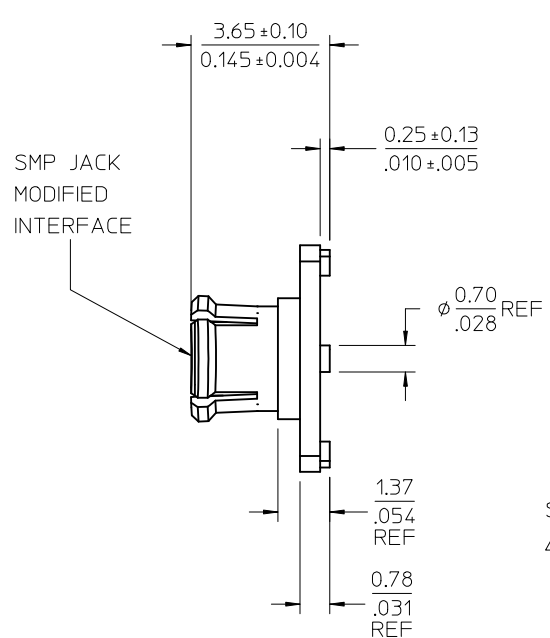
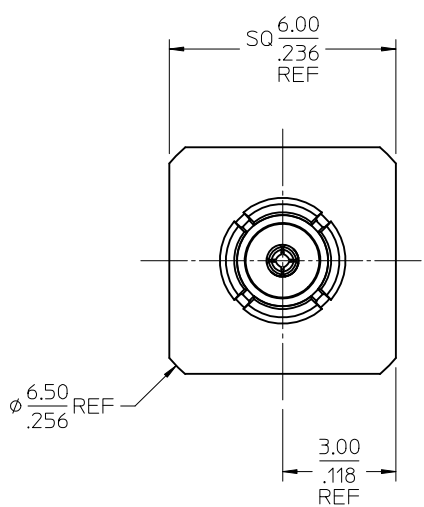
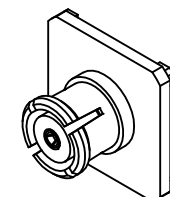
CHG: SEE SHEET 1. EC NO: URF2012-0762 DRWN:ROBERTSON 2012/06/15 CHKD:SSS 2012/06/15 APPR:JWIENER 2012/06/15	QUALITY SYMBOLS 	GENERAL TOLERANCES (UNLESS SPECIFIED)		DIMENSION STYLE MM/IN		SCALE	DESIGN UNITS METRIC	THIRD ANGLE PROJECTION		
			mm	INCH	DRAWN BY SSS	DATE 2005/04/19	TITLE	SMP JACK MODIFIED INTERF 50 OHM VERT PCB SMT SMP-J/PCB, EWR-2735		
		4 PLACES ± ---	± ---	± ---	CHECKED BY TEF	DATE 2005/04/19				
		3 PLACES ± ---	± ---	± ---	APPROVED BY JDW	DATE 2005/04/19	MATERIAL NO.	DOCUMENT NO.	SHEET NO.	
2 PLACES ± ---	± ---	± ---	SEE SHEET 1		SD-73415-530	2 OF 2				
1 PLACE ± ---	± ---	± ---	DRAFT WHERE APPLICABLE MUST REMAIN WITHIN DIMENSIONS		THIS DRAWING CONTAINS INFORMATION THAT IS PROPRIETARY TO MOLEX INCORPORATED AND SHOULD NOT BE USED WITHOUT WRITTEN PERMISSION					
0 PLACE ±	±	±								

MATERIALS AND FINISHES

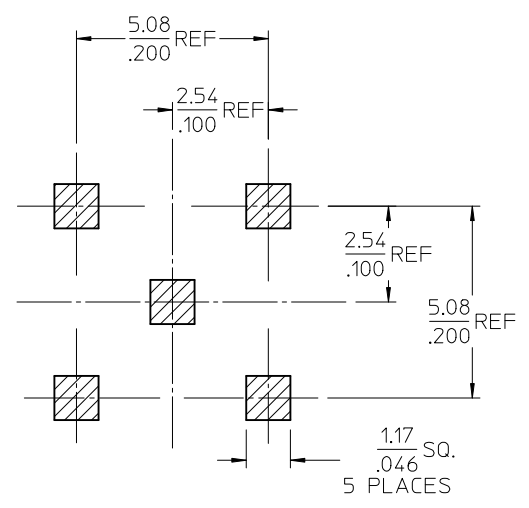
BODY: BERYLLIUM COPPER  
PLATED GOLD (10 MICROINCHES MIN)

CENTER CONTACT: BERYLLIUM COPPER  
PLATED GOLD (30 MICROINCHES MIN)

INSULATOR: TEFLON



RECOMMENDED PCB LAYOUT



PART # 73415-5300

CHG: UPDATED FRAME.  
ADDED SHEET 2.  
ADDED DIMENSIONS.

EC NO: URF2012-0762  
DRAWN: ROBERTSON 2012/06/15  
CHKD: SSS 2012/06/15  
APPR: JWIENER 2012/06/15

REV	DESCRIPTION
D2	

QUALITY SYMBOLS	
	= 0
	= 0
	= 0

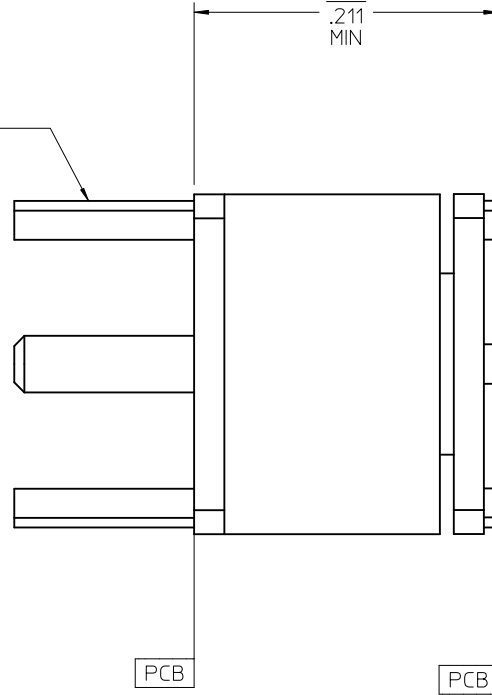
GENERAL TOLERANCES (UNLESS SPECIFIED)	
mm	INCH
4 PLACES ±	---
3 PLACES ±	---
2 PLACES ±	---
1 PLACE ±	---
0 PLACE ±	±

DIMENSION STYLE		SCALE	DESIGN UNITS	THIRD ANGLE PROJECTION
MM/IN			METRIC	
DRAWN BY	DATE	TITLE		
SSS	2005/04/19	SMP JACK MODIFIED INTERF		
CHECKED BY	DATE	50 OHM VERT PCB SMT		
TEF	2005/04/19	SMP-J/PCB, EWR-2735		
APPROVED BY	DATE	<b>molex</b>		
JDW	2005/04/19			
MATERIAL NO.		DOCUMENT NO.		SHEET NO.
734155300		SD-73415-530		1 OF 2
DRAFT WHERE APPLICABLE MUST REMAIN WITHIN DIMENSIONS				
SIZE	THIS DRAWING CONTAINS INFORMATION THAT IS PROPRIETARY TO MOLEX INCORPORATED AND SHOULD NOT BE USED WITHOUT WRITTEN PERMISSION			
C				

73415-5300 MATED TO 73415-5310

73415-5310  
(NOT INCLUDED)

5.37  
.211  
MIN



CHG: SEE SHEET 1. EC NO: URF2012-0762 DRWN: ROBERTSON 2012/06/15 CHKD: SSS 2012/06/15 APPR: JWIENER 2012/06/15	QUALITY SYMBOLS	GENERAL TOLERANCES (UNLESS SPECIFIED)		DIMENSION STYLE MM/IN		SCALE	DESIGN UNITS METRIC	THIRD ANGLE PROJECTION	
	▽=0	4 PLACES ±	mm	INCH	DRAWN BY	DATE	TITLE SMP JACK MODIFIED INTERF 50 OHM VERT PCB SMT SMP-J/PCB, EWR-2735		
	▽=0	3 PLACES ±	±	±	CHECKED BY	DATE			
	▽=0	2 PLACES ±	±	±	TEF	2005/04/19	APPROVED BY	DATE	<b>molex</b> MATERIAL NO. SEE SHEET 1 DOCUMENT NO. SD-73415-530
▽=0	1 PLACE ±	±	±	JDW	2005/04/19	SHEET NO. 2 OF 2			
REV	DESCRIPTION	ANGULAR ± 2°		DRAFT WHERE APPLICABLE MUST REMAIN WITHIN DIMENSIONS		THIS DRAWING CONTAINS INFORMATION THAT IS PROPRIETARY TO MOLEX INCORPORATED AND SHOULD NOT BE USED WITHOUT WRITTEN PERMISSION			
D2									