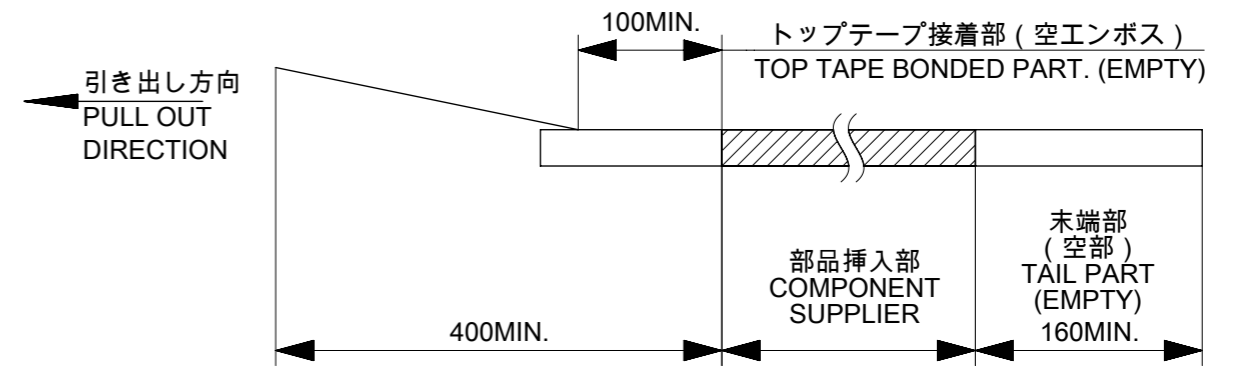


DETAIL C

注記 NOTES

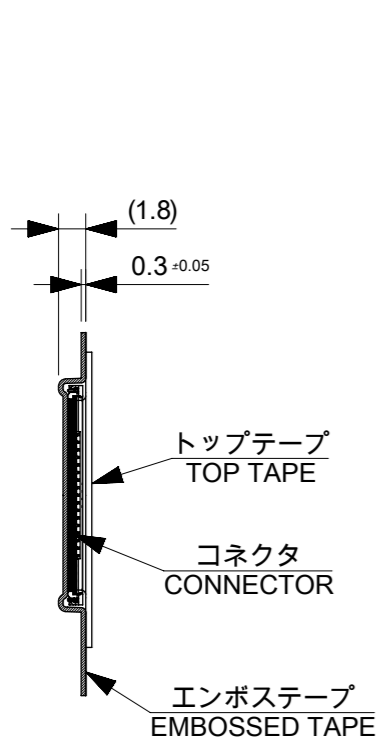
- 製品詳細寸法については図面 5020781000 (DOC. PART NO. : 000) を参照下さい。  
RE DETAILED DIMENSION, SEE 5020781000 (DOC. PART NO. : 000)
- 梱包数量 : 3000 個 / リール  
NUMBER OF CONNECTORS : 3000 PCS/REEL
- リードテープ長さ LEAD TAPE LENGTH



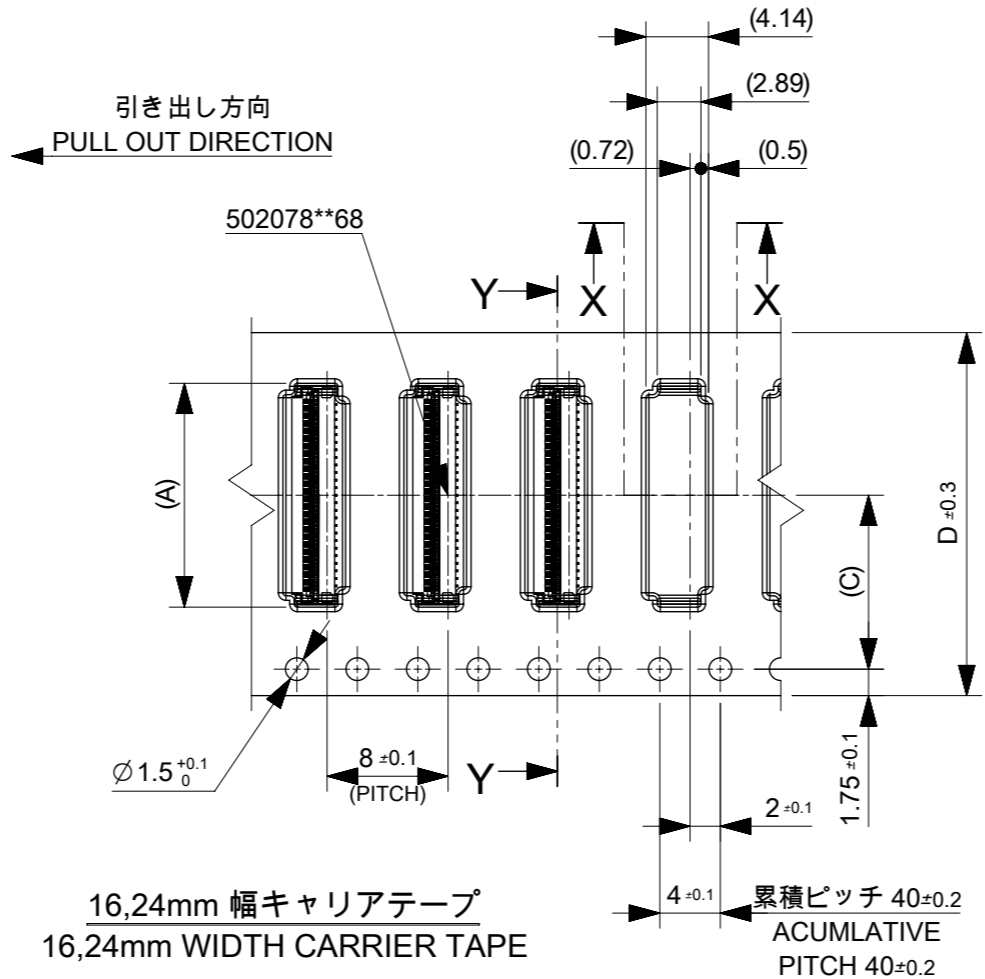
- 材料 MATERIAL  
キャリアテープ (CARRIER TAPE) : ポリスチレン (POLYSTYRENE)  
トップテープ (TOP TAPE) : PET, PE, PEF  
リール (REEL) : ポリスチレン (PS) <リサイクル材を含む>  
POLYSTYRENE (PS) <RECYCLE MATERIAL CONTAINED>
- カバーテープの剥離強度については、IEC60286-3 に準拠  
COVER TAPE PEEL FORCE IS DEFINED BY IEC 60286-3.

CONNECTOR SERIES NO. 502078\*\*68

THIS DRAWING CONTAINS INFORMATION THAT IS PROPRIETARY TO MOLEX ELECTRONIC TECHNOLOGIES, LLC AND SHOULD NOT BE USED WITHOUT WRITTEN PERMISSION										
REVISED	EC NO. 112948	2016/08/09	GENERAL TOLERANCES (UNLESS SPECIFIED)		DIMENSION UNITS	SCALE	<b>molex</b> <sup>®</sup>			
	DRWN: MTAKAHASHI04	2017/02/06	ANGULAR TOL ± °		MM	1:1				
	CHK'D: YKOBAYASHI02	2017/02/07	4 PLACES ±	ABABU01	DATE	2016/02/22	0.25MM PITCH FPC CONN HGT = 1.0 HSG ASSY EMBOSSED TAPE PACKAGE			
	APPR: TKUSUHARA01		3 PLACES ±	CHK'D BY	DATE	2016/05/23				
			2 PLACES ±	APPR BY	DATE	2016/05/24	PRODUCT CUSTOMER DRAWING			
		1 PLACE ±	DRAWING SIZE	THIRD ANGLE PROJECTION	502078	SEE CHART	GENERAL			
		0 PLACES ±	DRAFT WHERE APPLICABLE MUST REMAIN WITHIN DIMENSIONS	A3	DRAWING SIZE		DOCUMENT NUMBER	DOC TYPE	DOC PART	SHEET NUMBER
							5020780000	PSD	000	1 OF 3

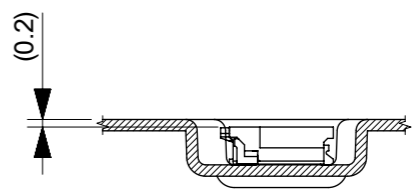


SECTION Y-Y



16,24mm 幅キャリアテープ  
16,24mm WIDTH CARRIER TAPE

累積ピッチ 40±0.2  
ACUMLATIVE PITCH 40±0.2

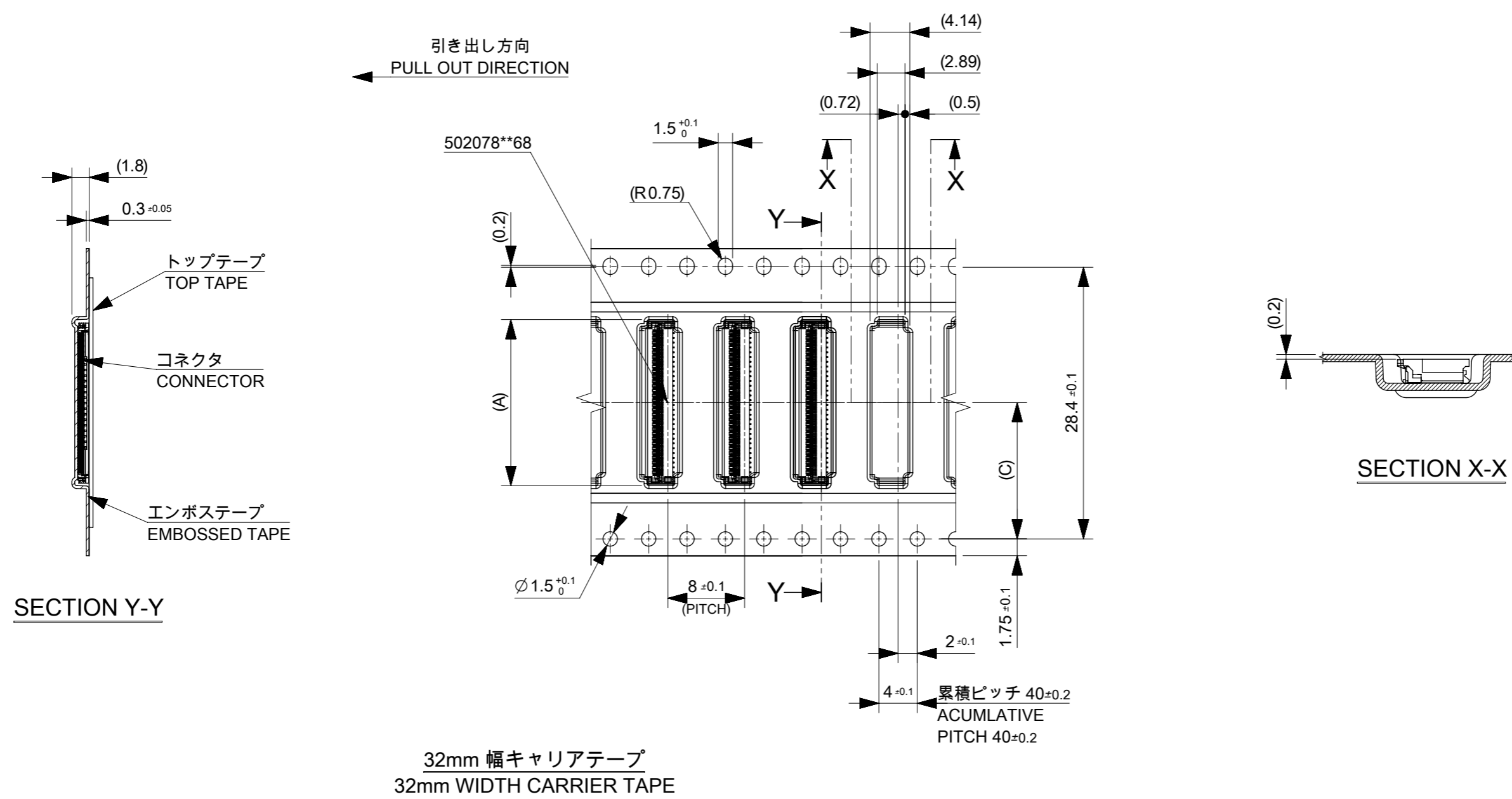


SECTION X-X

24	11.5	25.4	15.3	5020785360	53
			14.8	5020785160	51
			13.3	5020784560	45
			11.8	5020783960	39
			11.3	5020783760	37
			10.3	5020783360	33
			8.3	5020782560	25
16	7.5	17.4	7.3	5020782160	21
			6.3	5020781760	17
D キャリアテープ幅 CARRIER TAPE WIDTH	C	B	(A)	オーダー番号 ORDER NO.	極数 CIRCUITS
				CONNECTOR SERIES NO.	502078**68

THIS DRAWING CONTAINS INFORMATION THAT IS PROPRIETARY TO MOLEX ELECTRONIC TECHNOLOGIES, LLC AND SHOULD NOT BE USED WITHOUT WRITTEN PERMISSION

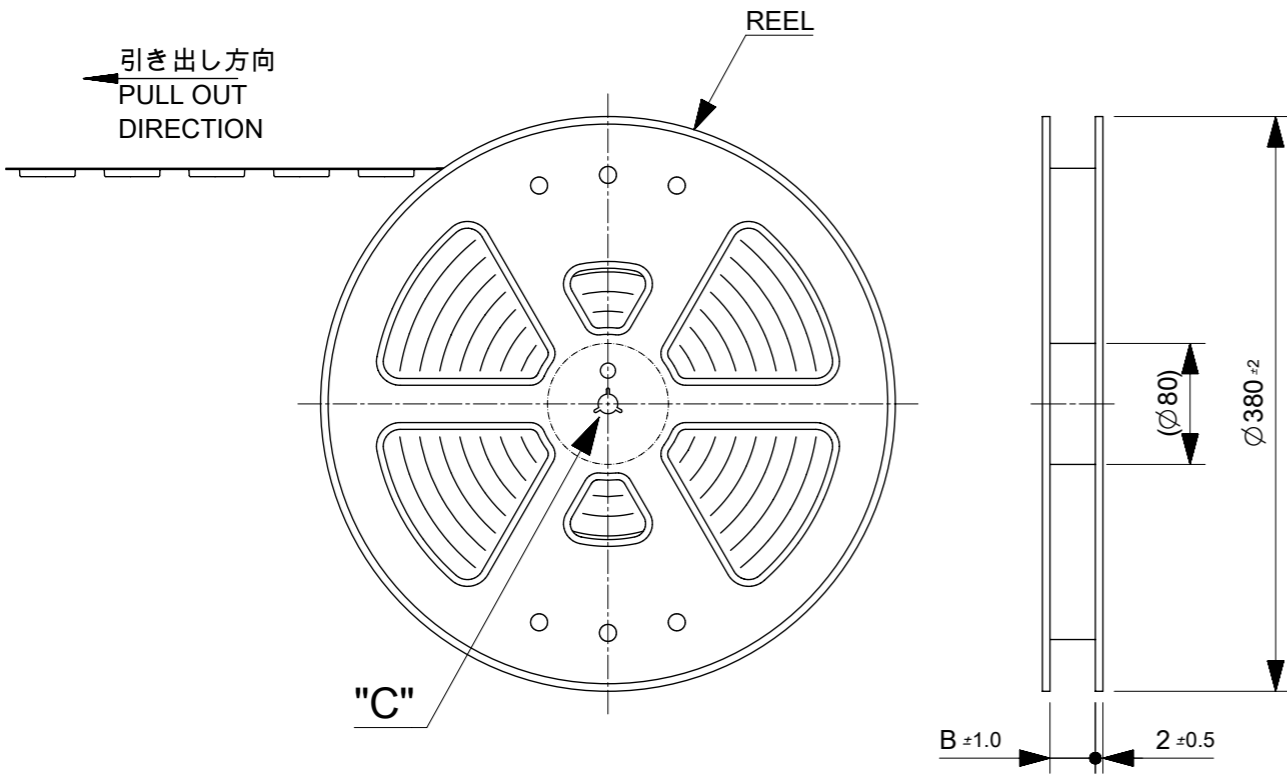
EC NO: 112948 DRWN: MTAKAHASHI04 CHK'D: YKOBAYASHI02 APPR: TKUSUHARA01	2016/08/09 2017/02/06 2017/02/07	GENERAL TOLERANCES (UNLESS SPECIFIED) ANGULAR TOL ± ° 4 PLACES ± 3 PLACES ± 2 PLACES ± 1 PLACE ± 0 PLACES ±	DIMENSION UNITS: MM SCALE: 1:1		
	REVISED	DRAFT WHERE APPLICABLE MUST REMAIN WITHIN DIMENSIONS	DRWN BY: ABABU01 DATE: 2016/02/22		0.25MM PITCH FPC CONN HGT = 1.0 HSG ASSY EMBOSSED TAPE PACKAGE
	APPR BY: TKUSUHARA01 DATE: 2016/05/24	CHK'D BY: YKOBAYASHI02 DATE: 2016/05/23	PRODUCT CUSTOMER DRAWING		
	DRAWING SIZE: A3 THIRD ANGLE PROJECTION	SERIES: 502078 MATERIAL NUMBER: SEE CHART CUSTOMER: GENERAL	DOCUMENT NUMBER: 5020780000 DOC TYPE: PSD DOC PART: 000 SHEET NUMBER: 2 OF 3		
	B	REV	DIMENSION UNITS: MM SCALE: 1:1		



14.2	33.4	17.3	5020786160	61
C	B	(A)	オーダー番号 ORDER NO.	極数 CIRCUITS
			CONNECTOR SERIES NO.	502078**68

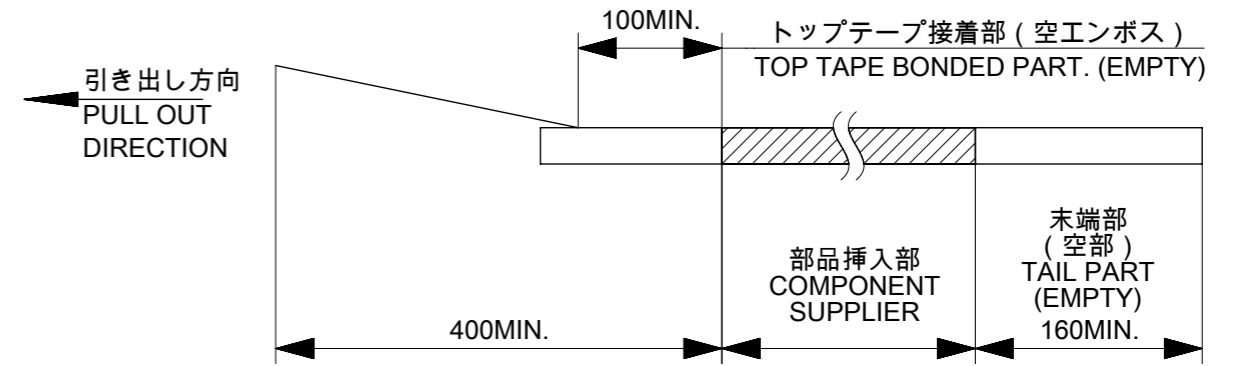
THIS DRAWING CONTAINS INFORMATION THAT IS PROPRIETARY TO MOLEX ELECTRONIC TECHNOLOGIES, LLC AND SHOULD NOT BE USED WITHOUT WRITTEN PERMISSION

EC NO: 112948 DRWN: MTAKAHASHI04 CHK'D: YKOBAYASHI02 APPR: TKUSUHARA01	2016/08/09 2017/02/06 2017/02/07	GENERAL TOLERANCES (UNLESS SPECIFIED) ANGULAR TOL ± ° 4 PLACES ± 3 PLACES ± 2 PLACES ± 1 PLACE ± 0 PLACES ±	DIMENSION UNITS: MM SCALE: 1:1	<p>0.25MM PITCH FPC CONN HGT = 1.0 HSG ASSY EMBOSSSED TAPE PACKAGE</p> <p>PRODUCT CUSTOMER DRAWING</p>	
	DRWN BY: ABABU01 DATE: 2016/02/22	CHK'D BY: YKOBAYASHI02 DATE: 2016/05/23	APPR BY: TKUSUHARA01 DATE: 2016/05/24		
	DRAFT WHERE APPLICABLE MUST REMAIN WITHIN DIMENSIONS				DRAWING SIZE: A3 THIRD ANGLE PROJECTION
	SERIES: 502078 MATERIAL NUMBER: SEE CHART CUSTOMER: GENERAL		DOCUMENT NUMBER: 5020780000 DOC TYPE: PSD DOC PART: 000 SHEET NUMBER: 3 OF 3		

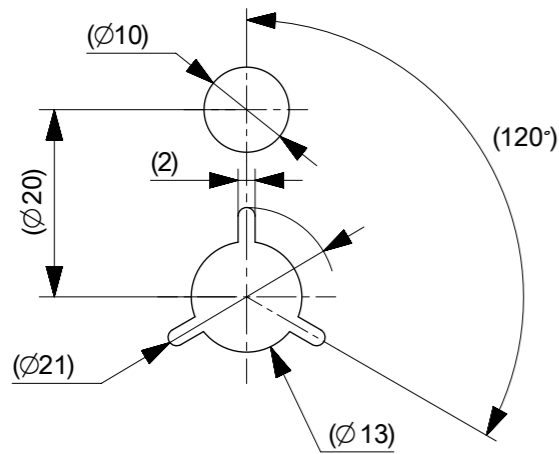


**注記 NOTES**

- 製品詳細寸法については製品単体図面を参照下さい。  
DETAIL DIMENSION, SEE PRODUCT DRAWING
- 梱包数量 : 6000 個 / リール  
NUMBER OF CONNECTORS : 6000 PCS/REEL
- リードテープ長さ LEAD TAPE LENGTH



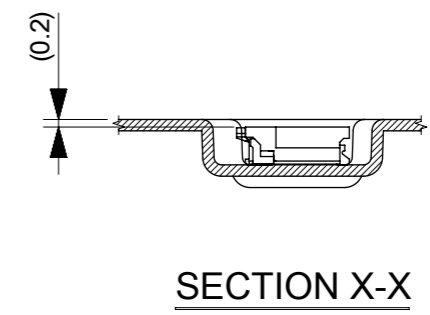
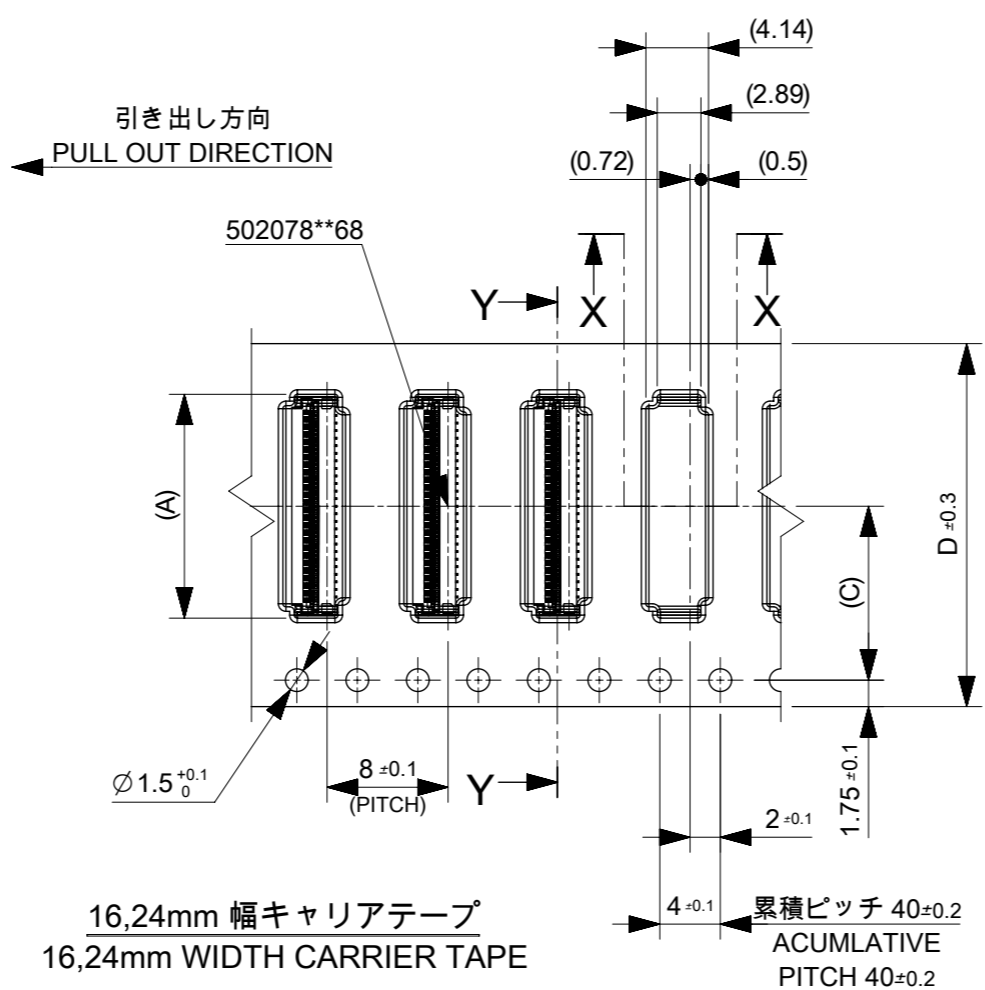
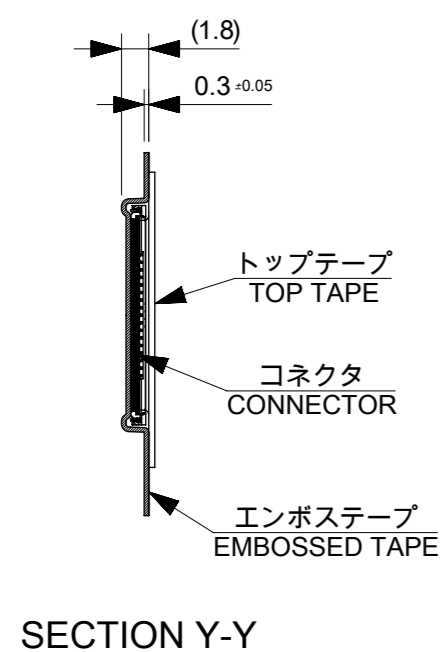
- 材料 MATERIAL  
 キャリアテープ (CARRIER TAPE) : ポリスチレン (POLYSTYRENE)  
 トップテープ (TOP TAPE) : PET, PE, PEF  
 リール (REEL) : ポリスチレン (PS) <リサイクル材を含む>  
 POLYSTYRENE (PS) <RECYCLE MATERIAL CONTAINED>
- カバーテープの剥離強度については、IEC60286-3 に準拠  
 COVER TAPE PEEL FORCE IS DEFINED BY IEC 60286-3.



**DETAIL C**

CONNECTOR SERIES NO. 502078\*\*68

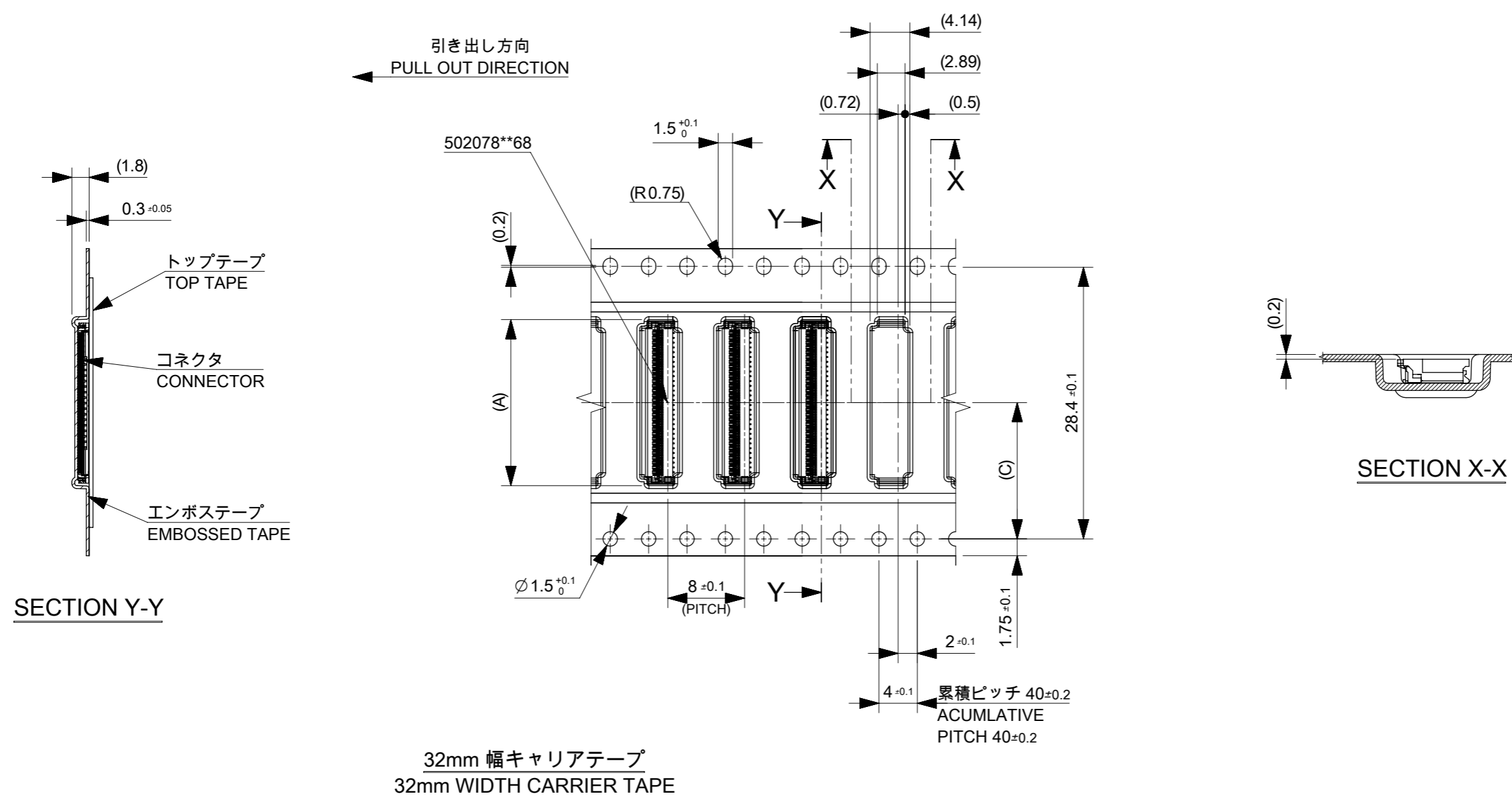
THIS DRAWING CONTAINS INFORMATION THAT IS PROPRIETARY TO MOLEX ELECTRONIC TECHNOLOGIES, LLC AND SHOULD NOT BE USED WITHOUT WRITTEN PERMISSION											
EC NO: 112453 DRWN: RYANAIDANI CHK'D: KTAKAHASHI APPR: MSASAO	2016/11/24 2017/01/27 2017/01/27	GENERAL TOLERANCES (UNLESS SPECIFIED)		DIMENSION UNITS	SCALE						
		ANGULAR TOL ± °		MM	1:1						
		4 PLACES ±		DRWN BY	DATE	0.25MM PITCH FPC CONN HGT =1.0 HSG ASSY EMBOSSED TAPE PACKAGE					
		3 PLACES ±		RYANAIDANI	2016/11/24						
		2 PLACES ±		CHK'D BY	DATE	PRODUCT CUSTOMER DRAWING					
		1 PLACE ±		KTAKAHASHI	2017/01/27						
0 PLACES ±		APPR BY	DATE	SERIES	MATERIAL NUMBER	CUSTOMER					
DRAFT WHERE APPLICABLE MUST REMAIN WITHIN DIMENSIONS		DRAWING SIZE		THIRD ANGLE PROJECTION		502078	SEE CHART	GENERAL			
A	REV	A3				DOCUMENT NUMBER		DOC TYPE	DOC PART	SHEET NUMBER	
						5020780001	PSD	000	1 OF 3		



24	11.5	25.4	15.3	5020785362	53
			14.8	5020785162	51
			13.3	5020784562	45
			11.8	5020783962	39
			11.3	5020783762	37
			10.3	5020783362	33
			8.3	5020782562	25
16	7.5	17.4	7.3	5020782162	21
			6.3	5020781762	17
D キャリアテープ幅 CARRIER TAPE WIDTH	C	B	(A)	オーダー番号 ORDER NO.	極数 CIRCUITS
				CONNECTOR SERIES NO.	502078**68

THIS DRAWING CONTAINS INFORMATION THAT IS PROPRIETARY TO MOLEX ELECTRONIC TECHNOLOGIES, LLC AND SHOULD NOT BE USED WITHOUT WRITTEN PERMISSION

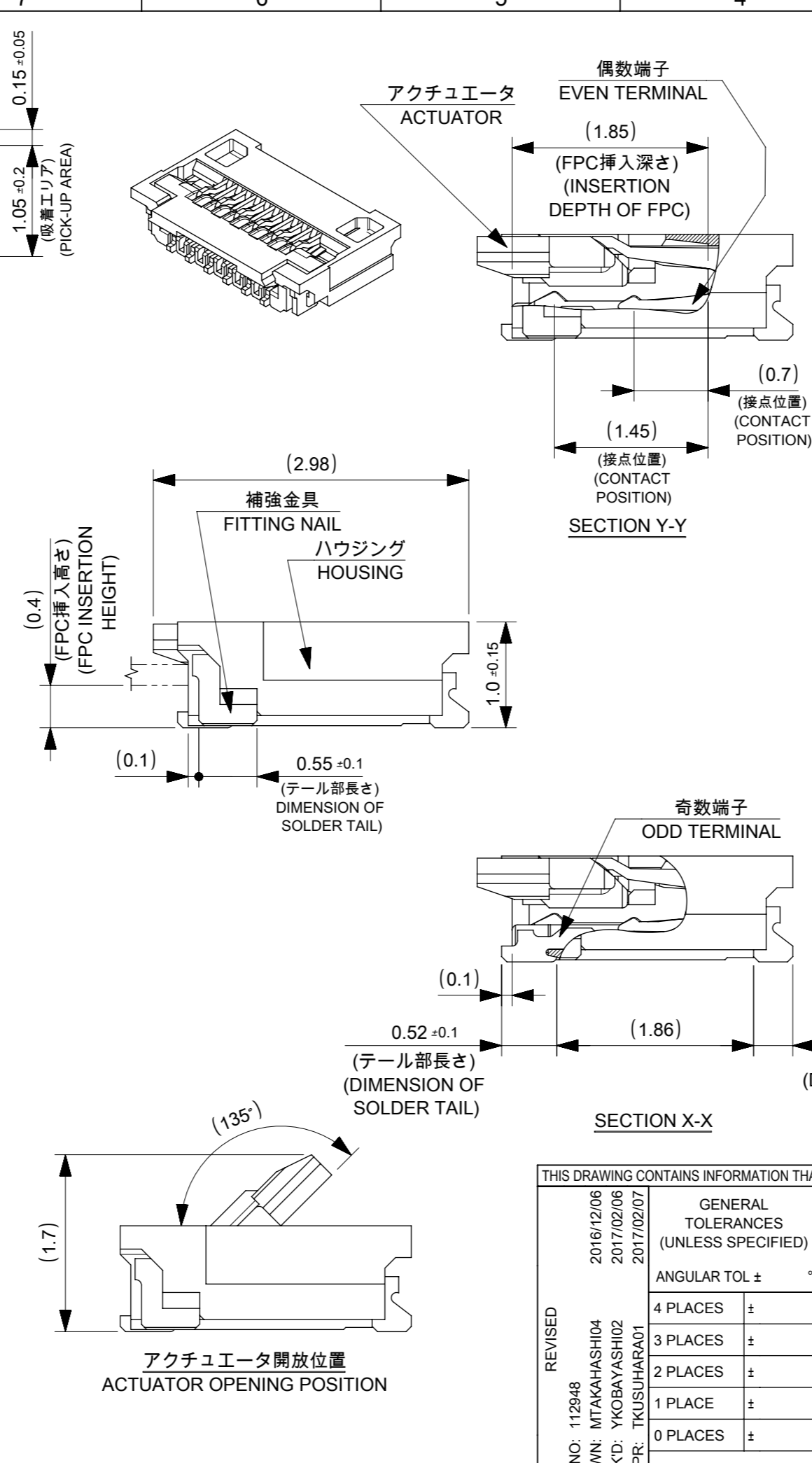
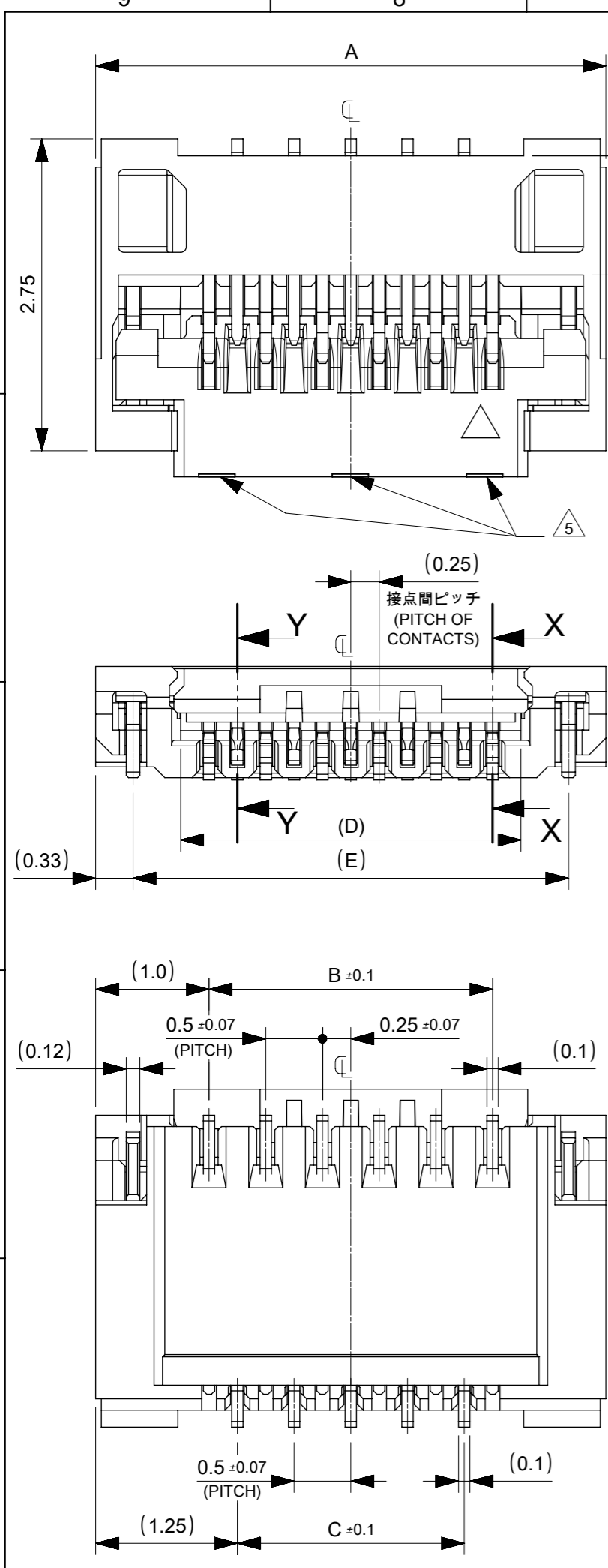
EC NO: 112453 DRWN: RYANAIDANI CHK'D: KTAKAHASHI APPR: MSASAO REV: A	2016/11/24 2017/01/27 2017/01/27	GENERAL TOLERANCES (UNLESS SPECIFIED) ANGULAR TOL ± ° 4 PLACES ± 3 PLACES ± 2 PLACES ± 1 PLACE ± 0 PLACES ±	DIMENSION UNITS: MM SCALE: 1:1	<p>0.25MM PITCH FPC CONN HGT = 1.0 HSG ASSY EMBOSSSED TAPE PACKAGE</p> <p>PRODUCT CUSTOMER DRAWING</p>	
	DRWN BY: RYANAIDANI DATE: 2016/11/24	CHK'D BY: KTAKAHASHI DATE: 2017/01/27	APPR BY: MSASAO DATE: 2017/01/27		DRAWING SIZE: A3 THIRD ANGLE PROJECTION
	DRAFT WHERE APPLICABLE MUST REMAIN WITHIN DIMENSIONS				SERIES: 502078 MATERIAL NUMBER: SEE CHART CUSTOMER: GENERAL
	RELEASE STATUS: P1 RELEASE DATE: 24.05.2016 07:26:32				DOCUMENT NUMBER: 5020780001 DOC TYPE: PSD DOC PART: 000 SHEET NUMBER: 2 OF 3



14.2	33.4	17.3	5020786162	61
C	B	(A)	オーダー番号 ORDER NO.	極数 CIRCUITS
			CONNECTOR SERIES NO.	502078**68

THIS DRAWING CONTAINS INFORMATION THAT IS PROPRIETARY TO MOLEX ELECTRONIC TECHNOLOGIES, LLC AND SHOULD NOT BE USED WITHOUT WRITTEN PERMISSION

EC NO: 112453 DRWN: RYANAIDANI CHK'D: KTAKAHASHI APPR: MSASAO	2016/11/24	GENERAL TOLERANCES (UNLESS SPECIFIED)	DIMENSION UNITS	SCALE	<p>0.25MM PITCH FPC CONN HGT =1.0 HSG ASSY EMBOSSSED TAPE PACKAGE</p> <p>PRODUCT CUSTOMER DRAWING</p>	
	2017/01/27	ANGULAR TOL ±	MM	1:1		
	2017/01/27	4 PLACES ±	DRWN BY	DATE		RYANAIDANI 2016/11/24
		3 PLACES ±	CHK'D BY	DATE		KTAKAHASHI 2017/01/27
		2 PLACES ±	APPR BY	DATE		MSASAO 2017/01/27
	1 PLACE ±	DRAFT WHERE APPLICABLE MUST REMAIN WITHIN DIMENSIONS	DRAWING SIZE	THIRD ANGLE PROJECTION	SERIES MATERIAL NUMBER CUSTOMER	
	0 PLACES ±		A3		502078 SEE CHART GENERAL	
RELEASED					DOCUMENT NUMBER DOC TYPE DOC PART SHEET NUMBER	
					5020780001 PSD 000 3 OF 3	



注記 NOTES

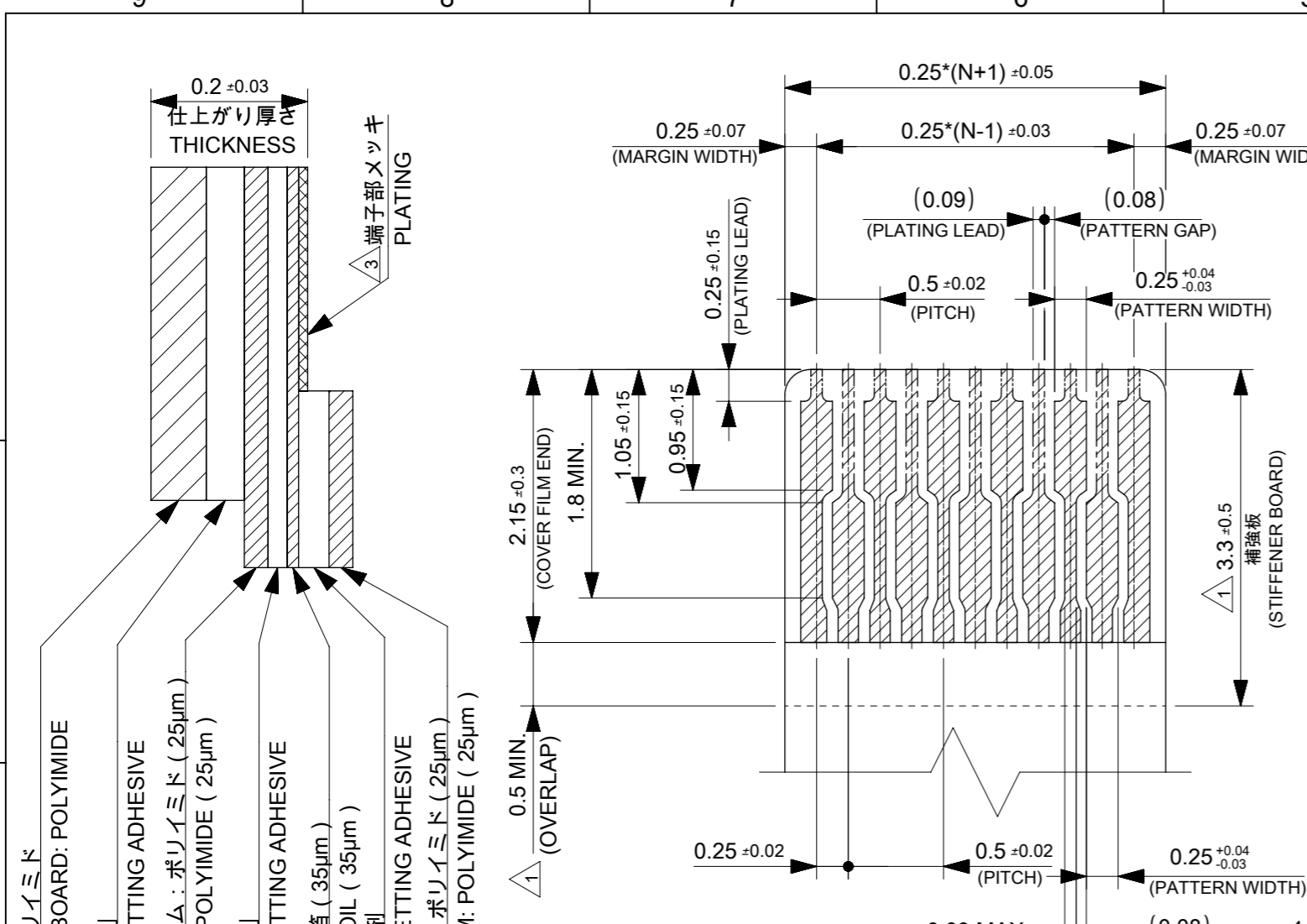
1. 使用材料 MATERIALS  
 ハウジング : 液晶ポリマー(UL94V-0、ベージュ)  
 アクチュエータ : ポリアミド(UL94HB、黒色)  
 端子 : リン青銅  
 補強金具 : リン青銅  
 HOUSING : LCP (BEIGE)  
 ACTUATOR : PA (BLACK)  
 TERMINAL : PHOSPHOR BRONZE  
 FITTING NAIL : PHOSPHOR BRONZE
2. メッキ仕様 PLATING  
 端子 TERMINAL  
 接点部 : 金メッキ0.1 μm以上  
 テール部 : 金メッキ  
 下地 : ニッケルメッキ1.0 μm以上  
 CONTACT AREA : Gold PLATING 0.1μm MINIMUM  
 TAIL AREA : Gold PLATING  
 UNDER PLATING : Nickel PLATING 1.0μm MINIMUM  
 金具 FITTING NAIL  
 表面 : スズメッキ 1.0 μm以上  
 下地 : ニッケルメッキ1.0 μm以上  
 ALL OVER : Tin PLATING 1.0μm MINIMUM  
 UNDER PLATING : Nickel PLATING 1.0μm MINIMUM
3. 端子、補強金具のコプラナリティーは0.1以下とする  
 COPLANALITY OF SOLDER TAILS AND FITTING NAILS : 0.1MAX.
4. 一般公差 : ± 0.3  
 GENERAL TOLERANCES: ±0.3
5. アクチュエータの図示箇所にゲート逃げの凹みがつきます  
 (極数により、レイアウトが異なります)  
 THERE ARE DENT SHAPES AT ACTUATOR FOR MOLDING GATE  
 (LAYOUT DIFFER ACCORDING TO CIRCUIT NUMBER)
6. ELV & RoHS 適合品  
 ELV & RoHS COMPLIANT
7. 塩素系・臭素系難燃剤非使用  
 CHLORINATED AND BROMINATED FLAME RETARDANTS FREE

16.34	15.5	14.5	15	17	5020786160	5020786168	61
14.34	13.5	12.5	13	15	5020785360	5020785368	53
13.84	13	12	12.5	14.5	5020785160	5020785168	51
12.34	11.5	10.5	11	13	5020784560	5020784568	45
10.84	10	9	9.5	11.5	5020783960	5020783968	39
10.34	9.5	8.5	9	11	5020783760	5020783768	37
9.34	8.5	7.5	8	10	5020783360	5020783368	33
7.34	6.5	5.5	6	8	5020782560	5020782568	25
6.34	5.5	4.5	5	7	5020782160	5020782168	21
5.34	4.5	3.5	4	6	5020781760	5020781768	17
4.34	3.5	2.5	3	5	5020781360	5020781368	13
E	D	C	B	A	ORDER No.	MATERIAL No.	CIRCUIT =N

CONNECTOR SERIES No. 502078\*\*68

THIS DRAWING CONTAINS INFORMATION THAT IS PROPRIETARY TO MOLEX ELECTRONIC TECHNOLOGIES, LLC AND SHOULD NOT BE USED WITHOUT WRITTEN PERMISSION

REVISED	2016/12/06	GENERAL TOLERANCES (UNLESS SPECIFIED)	DIMENSION UNITS	SCALE	
	2017/02/06	ANGULAR TOL ± °	MM	20:1	
	2017/02/07	4 PLACES ±	DRWN BY	DATE	
		3 PLACES ±	NVELUSAMY	2016/02/18	
EC NO: 112948	DRWN: MTAKAHASHI04	2 PLACES ±	CHK'D BY	DATE	<p>0.25 PITCH FPC CONN E/O HGT=1.0 BTM CONTACT TYPE</p> <p>PRODUCT CUSTOMER DRAWING</p>
	CHK'D: YKOBAYASHI02	1 PLACE ±	YKOBAYASHI02	2016/05/23	
	APPR: TKUSUHARA01	0 PLACES ±	APPR BY	DATE	
			TKUSUHARA01	2016/05/24	
		DRAFT WHERE APPLICABLE MUST REMAIN WITHIN DIMENSIONS	DRAWING SIZE	THIRD ANGLE PROJECTION	<p>SERIES: 502078</p> <p>MATERIAL NUMBER: SEE CHART</p> <p>CUSTOMER: GENERAL</p>
			A3		<p>DOCUMENT NUMBER: 5020781000</p> <p>DOC TYPE: PSD</p> <p>DOC PART: 000</p> <p>SHEET NUMBER: 1 OF 2</p>



**FPC 構成材料例**  
EXAMPLE OF FPC COMPOSITION MATERIAL

補強板: ポリイミド  
STIFFENER BOARD: POLYIMIDE  
熱硬化接着剤  
THERMOSETTING ADHESIVE  
ペースフィルム: ポリイミド (25µm)  
BASE FILM: POLYIMIDE (25µm)  
熱硬化接着剤  
THERMOSETTING ADHESIVE  
導体部: 銅箔 (35µm)  
COPPER FOIL (35µm)  
熱硬化接着剤  
THERMOSETTING ADHESIVE  
カバーレイ: ポリイミド (25µm)  
COVER FILM: POLYIMIDE (25µm)

**注記 NOTES**

1. 補強板長さが図面通り確保できない場合は、カバーレイと補強板のオーバーラップ寸法を 0.5mm 以上としてください  
WHEN STIFFENER BOARD DIMENSION CAN NOT SECURE AS DRAWING, PLEASE GIVE THE OVERLAP SIZE OF COVER FILM AND STIFFENER BOARD AS 0.5mm MINIMUM

2. 推奨ペースト厚: 100µm  
推奨マスク開口率: 80%  
RECOMMEND SCREEN THICKNESS: 100µm  
RECOMMEND SCREEN OPEN RATIO: 80%

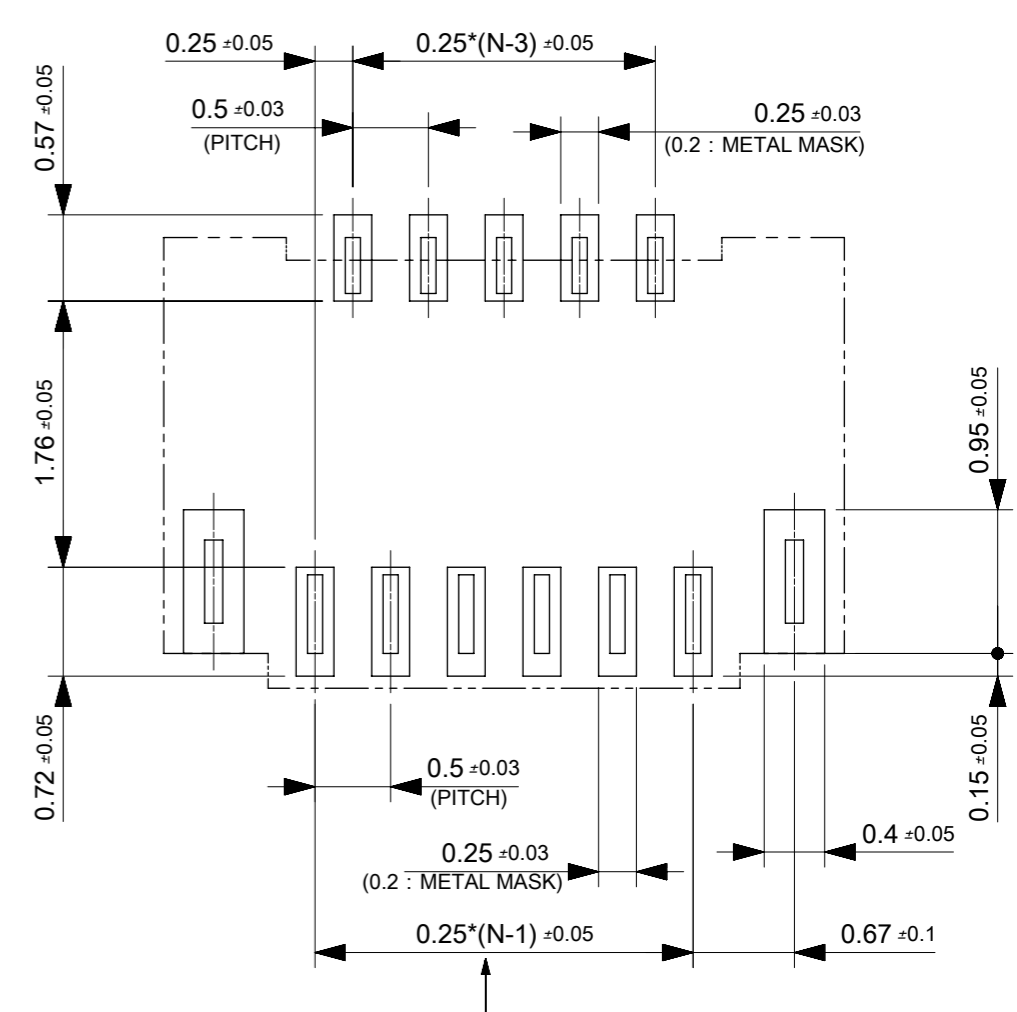
3. FPCパターンのメッキ仕様は  
金メッキ: 0.1µm 以上  
下地ニッケルメッキ: 2~6µm  
FPC PATTERN PLATING  
GOLD PLATING: 0.1µm MINIMUM  
NICKEL UNDER PLATING: 2~6µm

適合するFPC推奨寸法  
APPLICABLE FPC RECOMMENDED DIMENSION  
(端子部仕上がり厚さ: 0.2±0.03)  
(THICKNESS: 0.2±0.03)

4. FPCについて (ABOUT FPC)  
抜き方向は、導体側から補強板側を推奨します  
補強板材質は、ポリイミドを推奨します  
接着剤は熱硬化接着剤を推奨します  
なお、接着剤の接点部への付着は導通不良の原因となりますので染み出しがないよう、お願いします。  
FPCに規定された定格温度が FPC 単体前提である場合が御座います。  
コネクタと組み合わせての実使用に置いて、接着層が劣化するなどの信頼性を満足できないケースを回避するため、実機での評価/確認をお願い致します。

RECOMMENDED PUNCHER DIRECTION: FROM CONDUCTOR SIDE TO STIFFENER BOARD SIDE  
RECOMMENDED MATERIAL: STIFFENER BOARD: POLYIMIDE  
BONDING AGENT: THERMOSETTING AGENT  
PLEASE PUT APPROPRIATE AMOUNT OF ADHESIVE ON THE CONTACT AREA BECAUSE THE EXTRA ADHESIVE MAY CAUSE THE DEFECT IN ELECTRICAL CONTINUITY.

NOTE: WHEN ACTUALLY USING IT WITH CONNECTOR, PLEASE DO THE EVALUATION AND THE CONFIRMATION WITH AN ACTUAL EQUIPMENT TO EVADE THE CASE WHERE RELIABILITY CANNOT BE FILLED (THE ADHESIVE LINE OF FPC IS DETERIORATED ETC.)

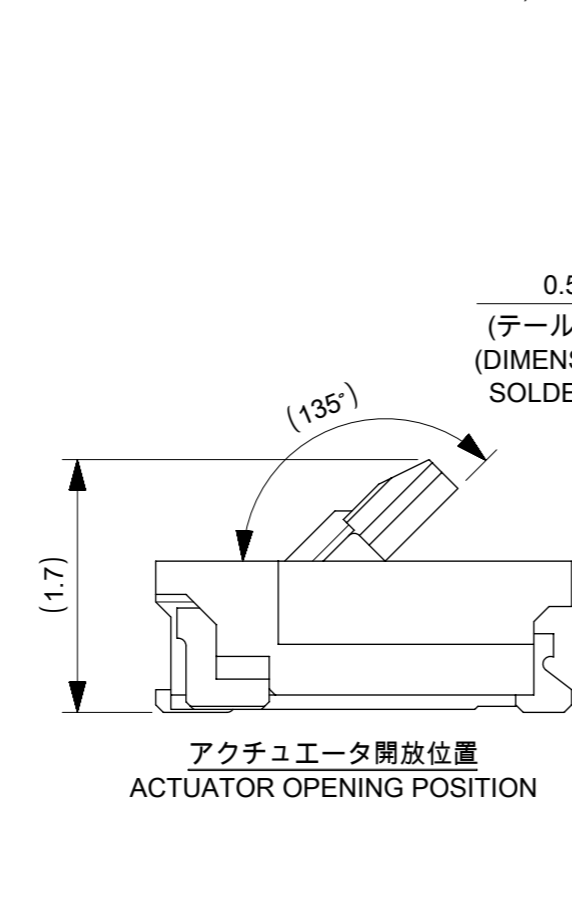
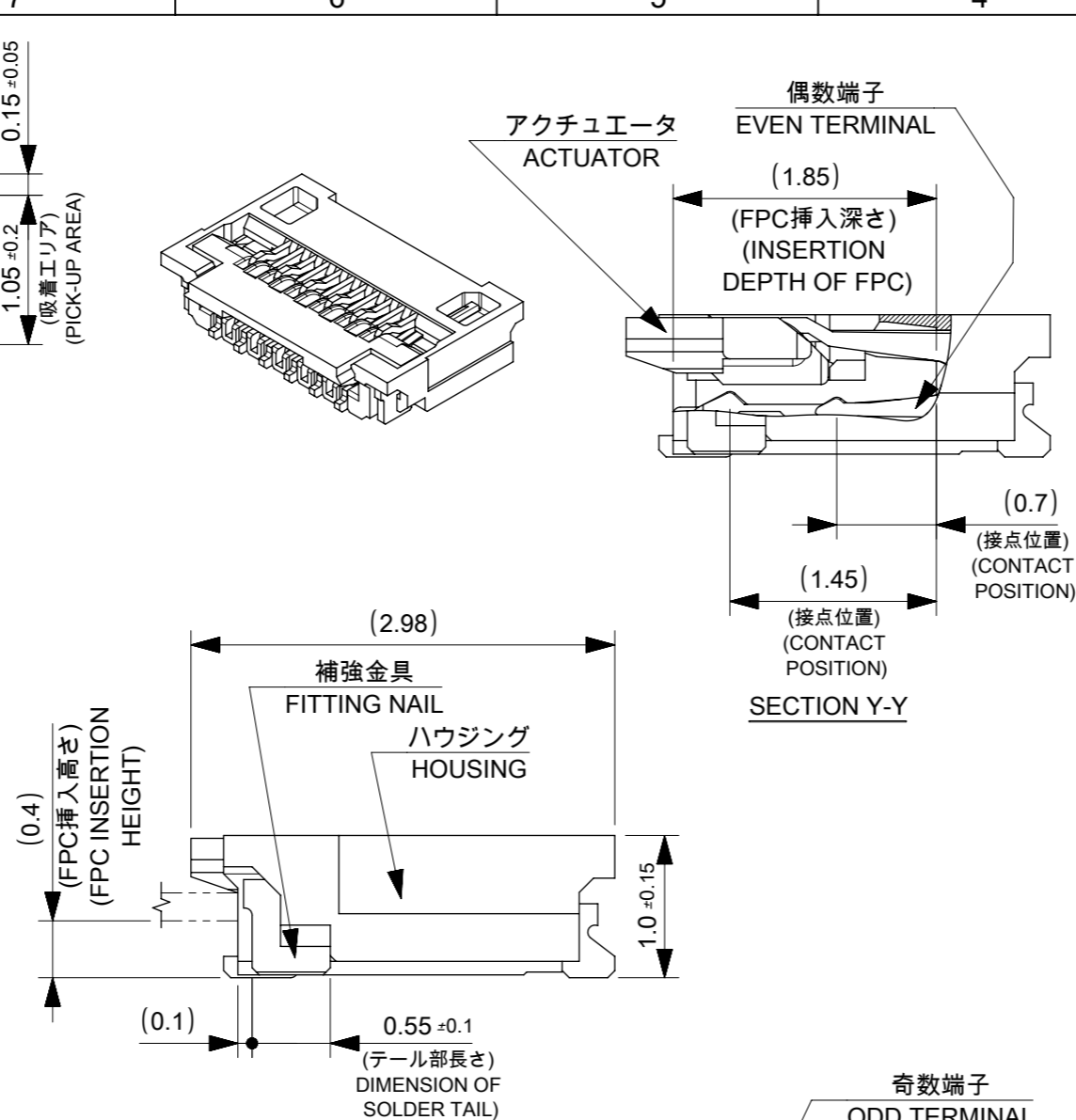
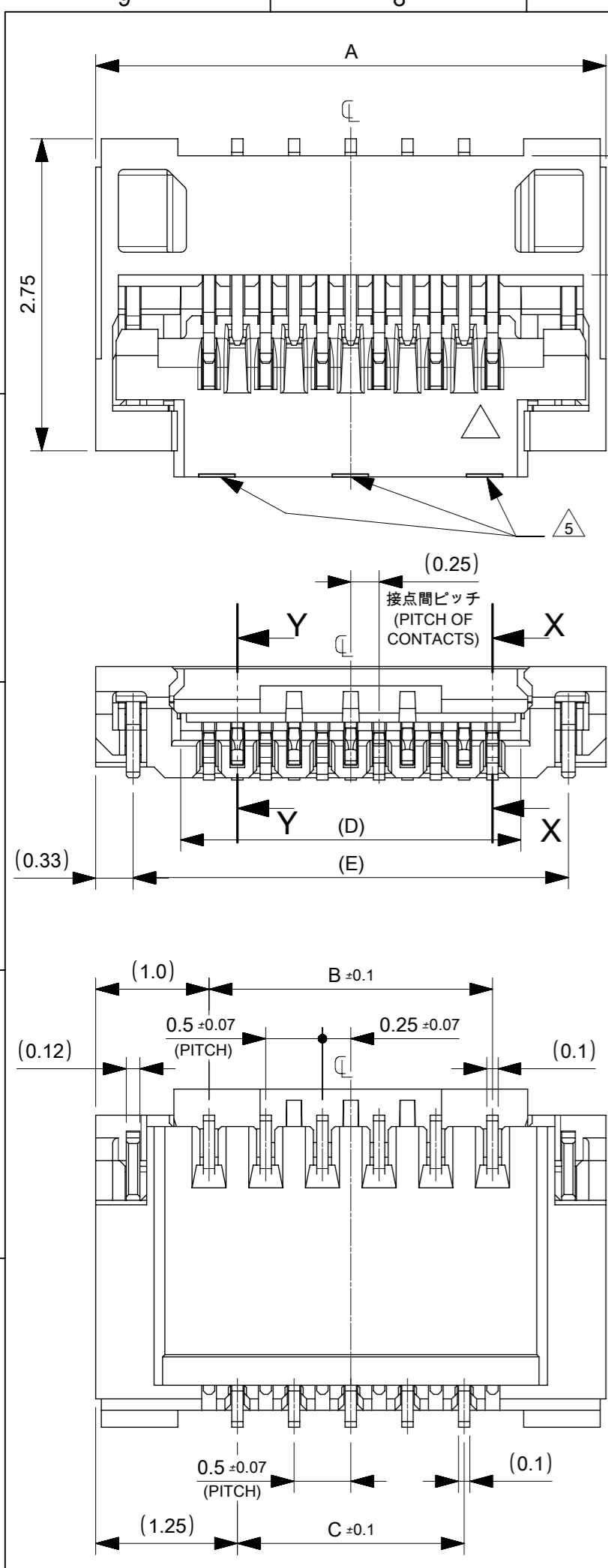


FPC挿入側  
FPC INSERTION SIDE  
参考基板レイアウト  
RECOMMENDED PCB PATTERN DIMENSIONS (REF.)

THIS DRAWING CONTAINS INFORMATION THAT IS PROPRIETARY TO MOLEX ELECTRONIC TECHNOLOGIES, LLC AND SHOULD NOT BE USED WITHOUT WRITTEN PERMISSION

REVISED	2016/12/06	GENERAL TOLERANCES (UNLESS SPECIFIED)		DIMENSION UNITS	SCALE	<b>molex</b> <sup>®</sup>
	2017/02/06	ANGULAR TOL ±		MM	20:1	
	2017/02/07	4 PLACES ±	°	DRWN BY	DATE	
	EC NO: 112948	DRWN: MTAKAHASHI04	CHK'D: YKOBAYASHI02	APPR BY	DATE	
REV	TKUSUHARA01	1 PLACE ±	0 PLACES ±	TKUSUHARA01	2016/05/24	0.25 PITCH FPC CONN E/O HGT=1.0 BTM CONTACT TYPE
DRAFT WHERE APPLICABLE MUST REMAIN WITHIN DIMENSIONS		DRAWING SIZE		THIRD ANGLE PROJECTION		PRODUCT CUSTOMER DRAWING
A3		A3		502078		SERIES
				SEE CHART		MATERIAL NUMBER
				5020781000		CUSTOMER
				PSD		GENERAL
				000		SHEET NUMBER
				2 OF 2		





注記 NOTES

1. 使用材料 MATERIALS  
ハウジング : 液晶ポリマー (UL94V-0、ベージュ)  
アクチュエータ : ポリアミド (UL94HB、黒色)  
端子 : リン青銅  
補強金具 : リン青銅  
HOUSING : LCP (BEIGE)  
ACTUATOR : PA (BLACK)  
TERMINAL : PHOSPHOR BRONZE  
FITTING NAIL : PHOSPHOR BRONZE
2. メッキ仕様 PLATING  
端子 TERMINAL  
接点部 : 金メッキ 0.1 μm 以上  
テール部 : 金メッキ  
下地 : ニッケルメッキ 1.0 μm 以上  
CONTACT AREA : Gold PLATING 0.1 μm MINIMUM  
TAIL AREA : Gold PLATING  
UNDER PLATING : Nickel PLATING 1.0 μm MINIMUM  
金具 FITTING NAIL  
表面 : スズメッキ 1.0 μm 以上  
下地 : ニッケルメッキ 1.0 μm 以上  
ALL OVER : Tin PLATING 1.0 μm MINIMUM  
UNDER PLATING : Nickel PLATING 1.0 μm MINIMUM
3. 端子、補強金具のコプラナリティーは0.1以下とする  
COPLANALITY OF SOLDER TAILS AND FITTING NAILS : 0.1 MAX.
4. 一般公差 : ± 0.3  
GENERAL TOLERANCES: ± 0.3
5. アクチュエータの図示箇所にゲート逃げの凹みがつきます (極数により、レイアウトが異なります)  
THERE ARE DENT SHAPES AT ACTUATOR FOR MOLDING GATE (LAYOUT DIFFER ACCORDING TO CIRCUIT NUMBER)
6. ELV & RoHS 適合品  
ELV & RoHS COMPLIANT
7. 塩素系・臭素系難燃剤非使用  
CHLORINATED AND BROMINATED FLAME RETARDANTS FREE

16.34	15.5	14.5	15	17	5020786162	5020786168	61
14.34	13.5	12.5	13	15	5020785362	5020785368	53
13.84	13	12	12.5	14.5	5020785162	5020785168	51
12.34	11.5	10.5	11	13	5020784562	5020784568	45
10.84	10	9	9.5	11.5	5020783962	5020783968	39
10.34	9.5	8.5	9	11	5020783762	5020783768	37
9.34	8.5	7.5	8	10	5020783362	5020783368	33
7.34	6.5	5.5	6	8	5020782562	5020782568	25
6.34	5.5	4.5	5	7	5020782162	5020782168	21
5.34	4.5	3.5	4	6	5020781762	5020781768	17
4.34	3.5	2.5	3	5	5020781362	5020781368	13
E	D	C	B	A	ORDER No.	MATERIAL No.	CIRCUIT =N

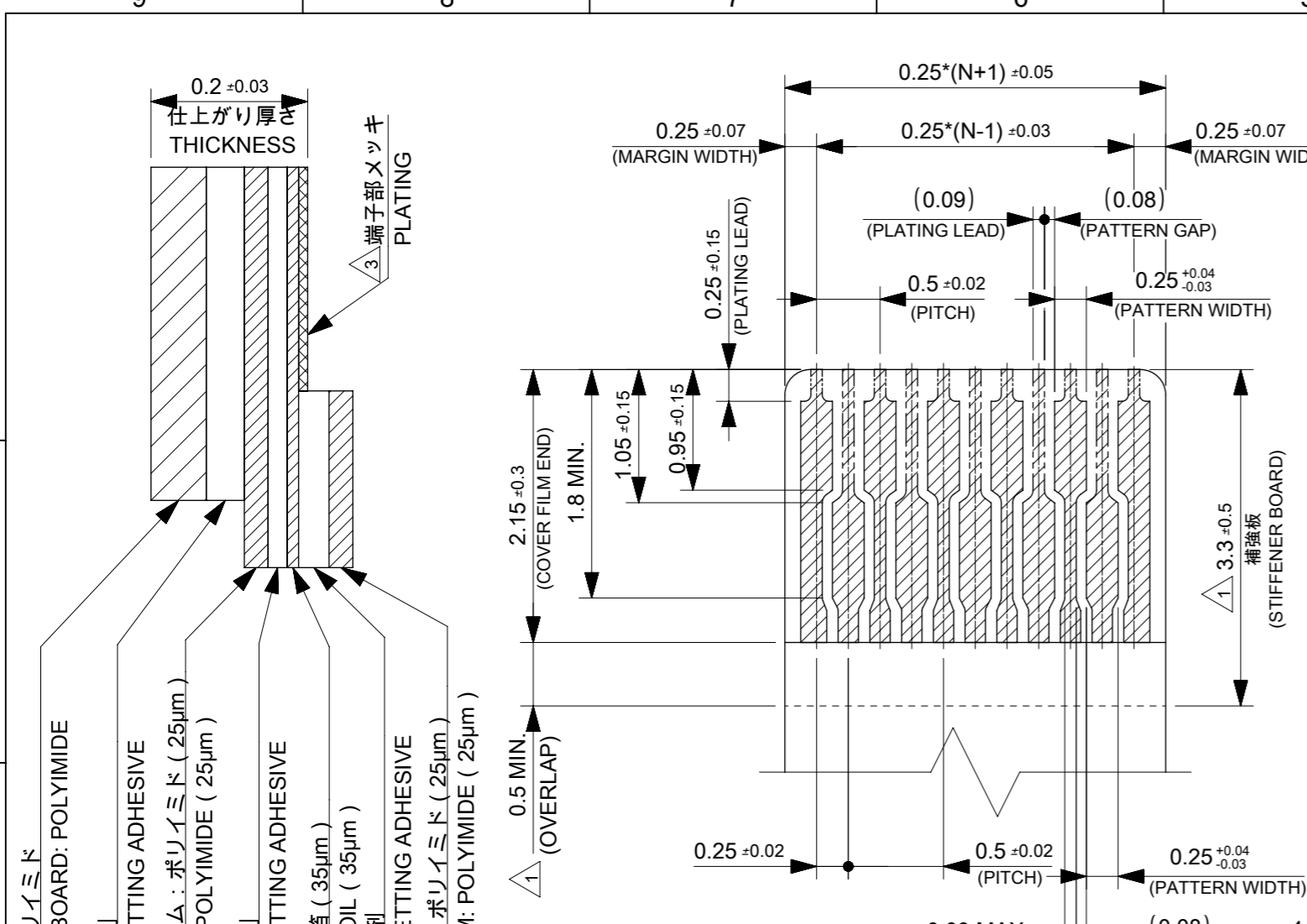
CONNECTOR SERIES No. 502078\*\*68

THIS DRAWING CONTAINS INFORMATION THAT IS PROPRIETARY TO MOLEX ELECTRONIC TECHNOLOGIES, LLC AND SHOULD NOT BE USED WITHOUT WRITTEN PERMISSION

EC NO: 112453 DRWN: RYANAIDANI CHK'D: KTAKAHASHI APPR: MSASAO	2016/11/24	2017/01/27	2017/01/27	GENERAL TOLERANCES (UNLESS SPECIFIED) ANGULAR TOL ± ° 4 PLACES ± 3 PLACES ± 2 PLACES ± 1 PLACE ± 0 PLACES ± DRAFT WHERE APPLICABLE MUST REMAIN WITHIN DIMENSIONS	DIMENSION UNITS	SCALE		
	RELEASED	RYANAIDANI	KTAKAHASHI		MM	20:1		
	DATE	DATE	DATE		DRWN BY	DATE		
	DATE	DATE	DATE		CHK'D BY	DATE		
REV	DATE	DATE	DATE	DATE	DATE	DATE	DATE	
A					MSASAO	2017/01/27	APPR BY	DATE
					DRAWING SIZE	THIRD ANGLE PROJECTION		
					A3			

PRODUCT CUSTOMER DRAWING

SERIES	MATERIAL NUMBER	CUSTOMER
502078	SEE CHART	GENERAL
DOCUMENT NUMBER	DOC TYPE	DOC PART
5020781001	PSD	000
SHEET NUMBER	1 OF 2	



**FPC 構成材料例**  
EXAMPLE OF FPC COMPOSITION MATERIAL

補強板: ポリイミド  
STIFFENER BOARD: POLYIMIDE  
熱硬化接着剤  
THERMOSETTING ADHESIVE  
ペースフィルム: ポリイミド (25µm)  
BASE FILM: POLYIMIDE (25µm)  
熱硬化接着剤  
THERMOSETTING ADHESIVE  
導体部: 銅箔 (35µm)  
COPPER FOIL (35µm)  
熱硬化接着剤  
THERMOSETTING ADHESIVE  
カバーレイ: ポリイミド (25µm)  
COVER FILM: POLYIMIDE (25µm)

**注記 NOTES**

1. 補強板長さが図面通り確保できない場合は、カバーレイと補強板のオーバーラップ寸法を 0.5mm 以上としてください  
WHEN STIFFENER BOARD DIMENSION CAN NOT SECURE AS DRAWING, PLEASE GIVE THE OVERLAP SIZE OF COVER FILM AND STIFFENER BOARD AS 0.5mm MINIMUM

2. 推奨ペースト厚: 100µm  
推奨マスク開口率: 80%  
RECOMMEND SCREEN THICKNESS: 100µm  
RECOMMEND SCREEN OPEN RATIO: 80%

3. FPCパターンのメッキ仕様は  
金メッキ: 0.1µm 以上  
下地ニッケルメッキ: 2~6µm  
FPC PATTERN PLATING  
GOLD PLATING: 0.1µm MINIMUM  
NICKEL UNDER PLATING: 2~6µm

**4. FPCについて (ABOUT FPC)**  
抜き方向は、導体側から補強板側を推奨します  
補強板材質は、ポリイミドを推奨します  
接着剤は熱硬化接着剤を推奨します  
なお、接着剤の接点部への付着は導通不良の原因となりますので染み出しがないよう、お願いします。  
FPCに規定された定格温度が FPC 単体前提である場合が御座います。  
コネクタと組み合わせての実使用に置いて、接着層が劣化するなどの信頼性を満足できないケースを回避するため、実機での評価/確認をお願い致します。

RECOMMENDED PUNCHER DIRECTION: FROM CONDUCTOR SIDE TO STIFFENER BOARD SIDE  
RECOMMENDED MATERIAL: STIFFENER BOARD: POLYIMIDE  
BONDING AGENT: THERMOSETTING AGENT  
PLEASE PUT APPROPRIATE AMOUNT OF ADHESIVE ON THE CONTACT AREA BECAUSE THE EXTRA ADHESIVE MAY CAUSE THE DEFECT IN ELECTRICAL CONTINUITY.

NOTE: WHEN ACTUALLY USING IT WITH CONNECTOR, PLEASE DO THE EVALUATION AND THE CONFIRMATION WITH AN ACTUAL EQUIPMENT TO EVADE THE CASE WHERE RELIABILITY CANNOT BE FILLED (THE ADHESIVE LINE OF FPC IS DETERIORATED ETC.)

THIS DRAWING CONTAINS INFORMATION THAT IS PROPRIETARY TO MOLEX ELECTRONIC TECHNOLOGIES, LLC AND SHOULD NOT BE USED WITHOUT WRITTEN PERMISSION

RELEASED EC NO: 112453 DRWN: RYANAIDANI CHK'D: KTAKAHASHI APPR: MSASAO	2016/11/24	2017/01/27	2017/01/27	GENERAL TOLERANCES (UNLESS SPECIFIED)	DIMENSION UNITS	SCALE						
	RYANAIDANI	KTAKAHASHI	MSASAO		MM	20:1						
	4 PLACES ±	3 PLACES ±	2 PLACES ±		DRWN BY	DATE		RYANAIDANI	2016/11/24			
	1 PLACE ±	0 PLACES ±	DRWING SIZE		THIRD ANGLE PROJECTION	CHK'D BY		DATE	KTAKAHASHI	2017/01/27		
DRAFT WHERE APPLICABLE MUST REMAIN WITHIN DIMENSIONS				A3			PRODUCT CUSTOMER DRAWING					
SERIES		MATERIAL NUMBER		CUSTOMER		502078		SEE CHART	GENERAL			
DOCUMENT NUMBER		DOC TYPE		DOC PART		SHEET NUMBER		5020781001		PSD	000	2 OF 2