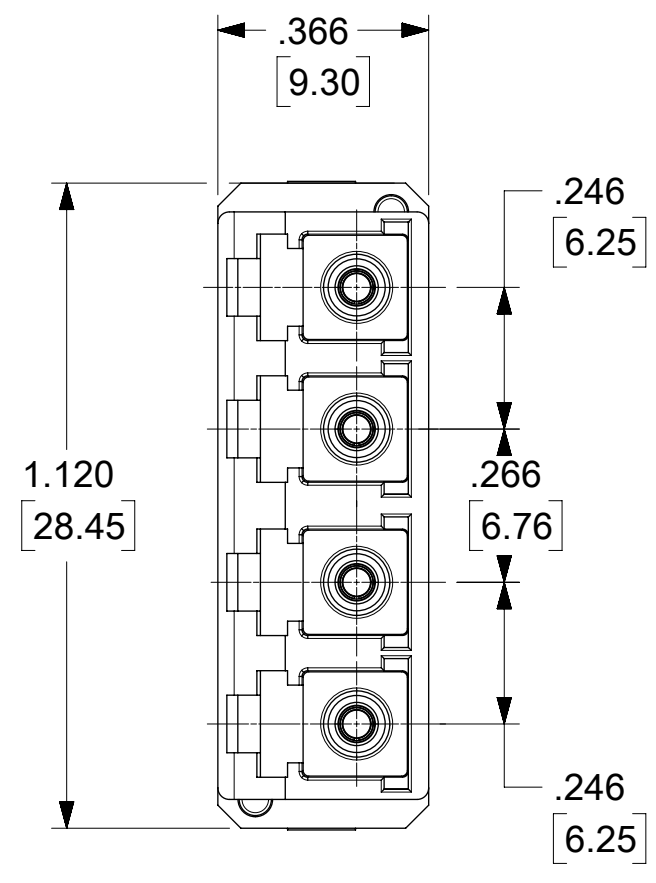
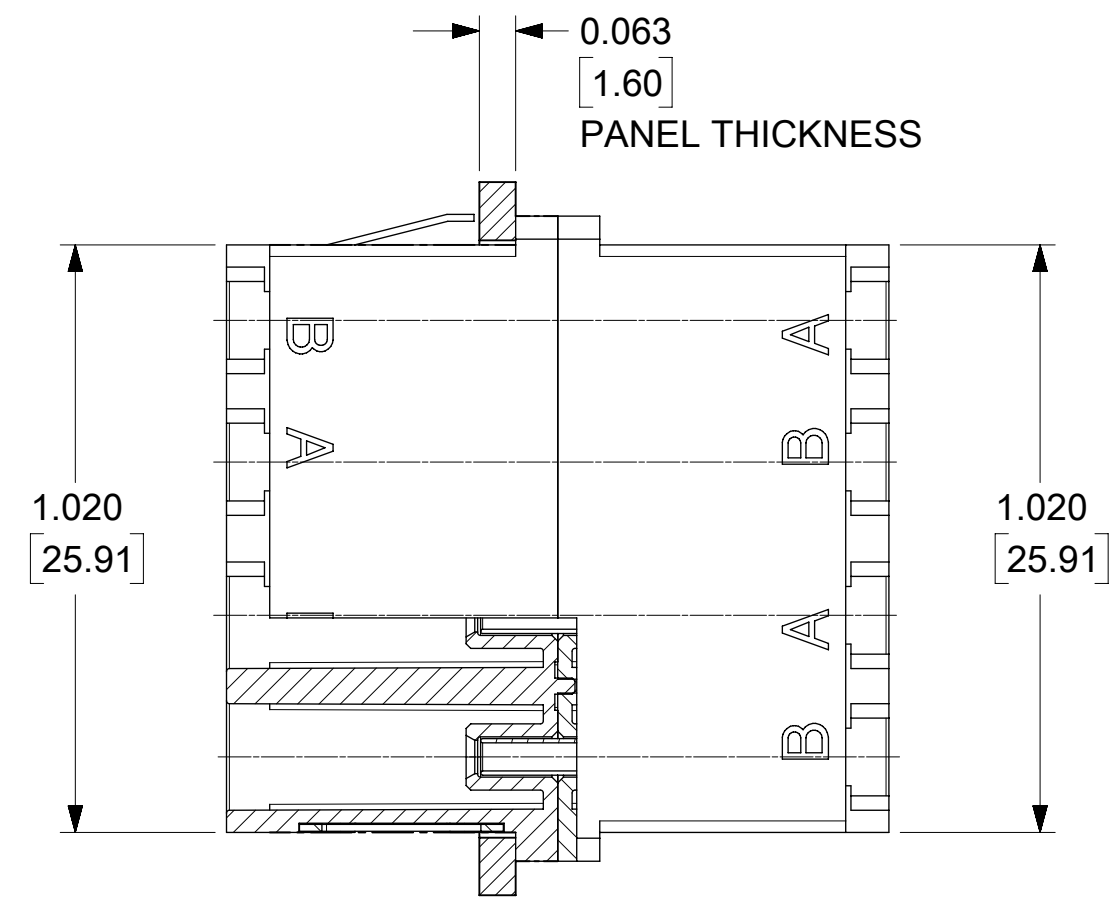
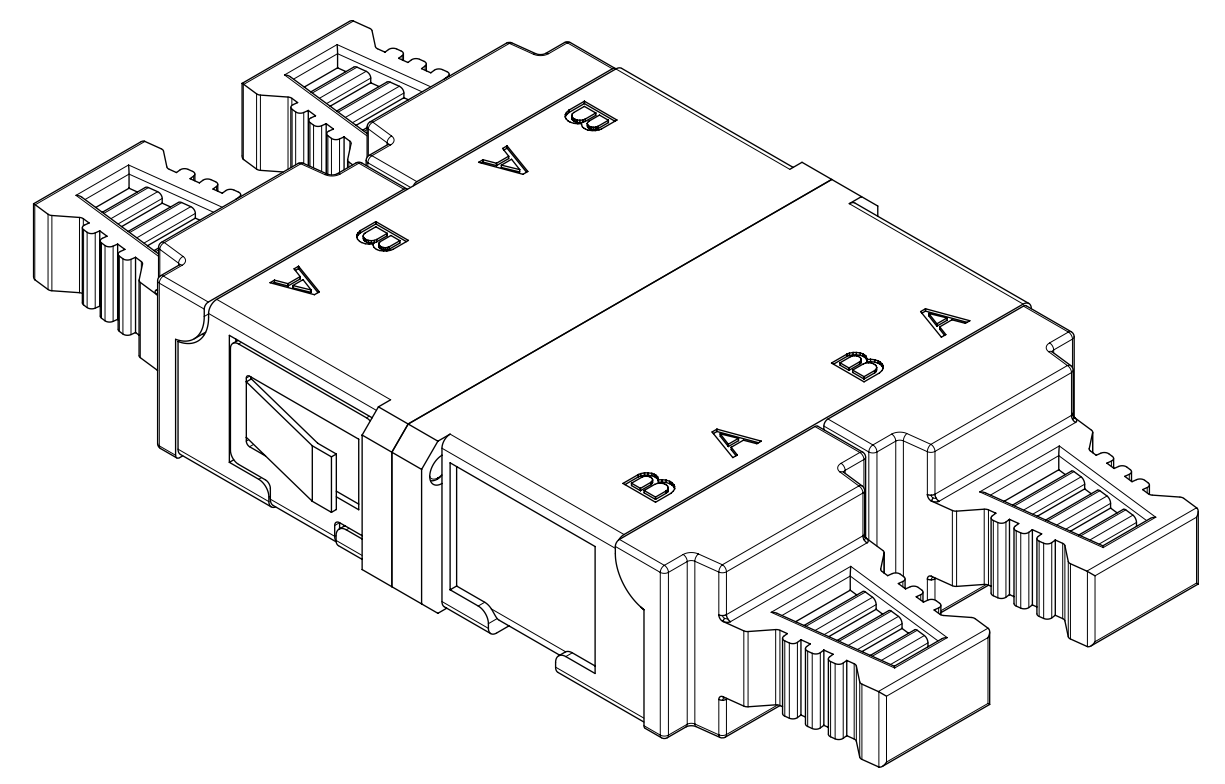
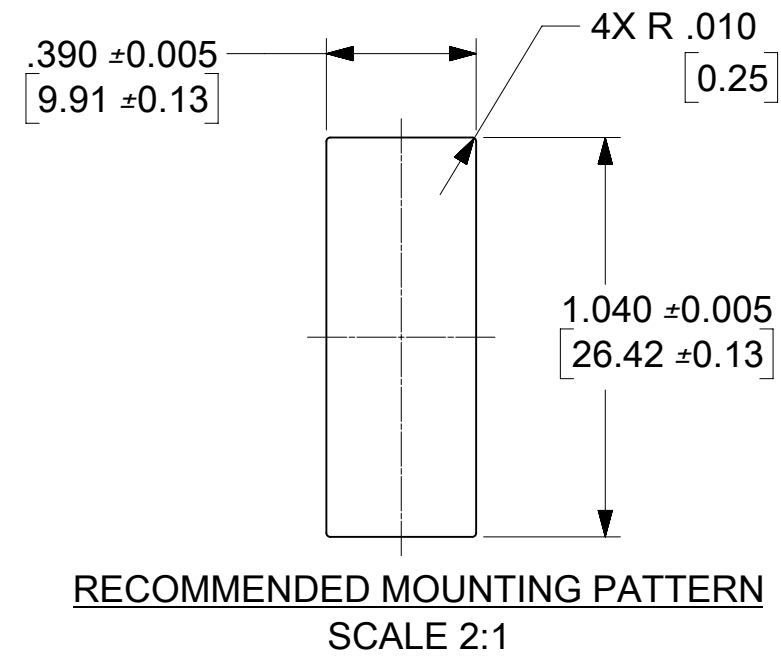
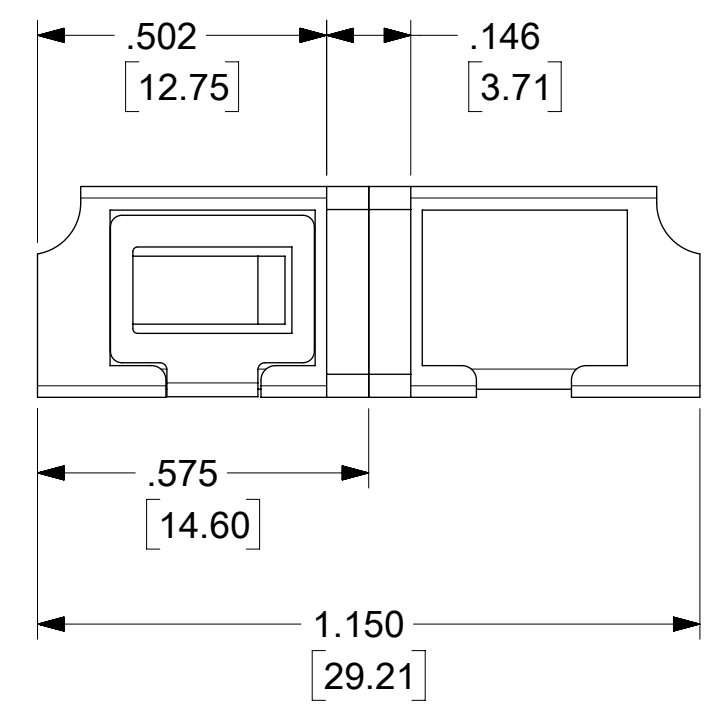
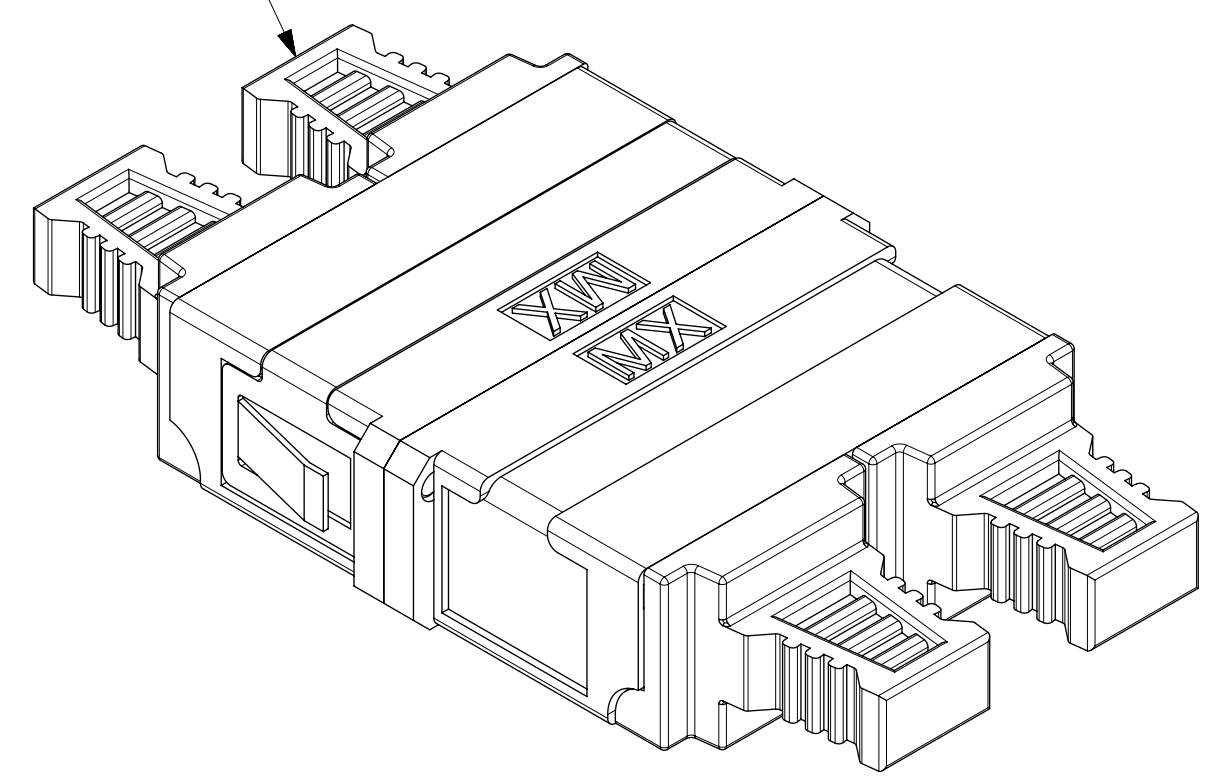


LC QUAD ADAPTER P/N	ADAPTER COLOR	SPLIT SLEEVE MATERIAL
1061230300	BLUE	Zr
1061231300	BEIGE	Phosphor Bronze
1061231320		Zr
1061231350	BLUE	Phosphor Bronze
1061232300	GREEN	Zr
1061233300	AQUA	Phosphor Bronze
1061233320		Zr



WHITE DUST CAP
(4X)



- NOTES:
1. ALL DIMENSIONS ARE FOR REFERENCE ONLY.
 2. DUST CAPS ARE SHOWN IN ISOMETRIC VIEWS ONLY.
 3. LC QUAD ADAPTER HAS SC DUPLEX ADAPTER FOOTPRINT.

SYMBOLS		THIS DRAWING CONTAINS INFORMATION THAT IS PROPRIETARY TO MOLEX ELECTRONIC TECHNOLOGIES, LLC AND SHOULD NOT BE USED WITHOUT WRITTEN PERMISSION	
DIMENSION UNITS	SCALE	CURRENT REV DESC:	
▽ = 0	HYBRID	EC NO: 614516	
▽ = 0	3:1	DRWN: IGUMIN	2019/03/26
▽ = 0	GENERAL TOLERANCES (UNLESS SPECIFIED)	CHK'D: GGENCHANOK	2019/04/02
▽ = 0	ANGULAR TOL ± °	APPR: GGENCHANOK	2019/04/02
▽ = 0	4 PLACES ±	INITIAL REVISION:	
▽ = 0	3 PLACES ±	DRWN: PGIBLIN	2005/12/06
▽ = 0	2 PLACES ±	APPR: IGUMIN	2005/12/06
▽ = 0	1 PLACE ±	DOCUMENT NUMBER	
▽ = 0	0 PLACES ±	SD-106123-X300	
▽ = 0	DRAFT WHERE APPLICABLE MUST REMAIN WITHIN DIMENSIONS	THIRD ANGLE PROJECTION	DOC TYPE DOC PART REVISION
		DRAWING	PSD 001 A3
		SERIES	106123
		MATERIAL NUMBER	SEE TABLE
		CUSTOMER	GENERAL MARKET
		SHEET NUMBER	1 OF 1