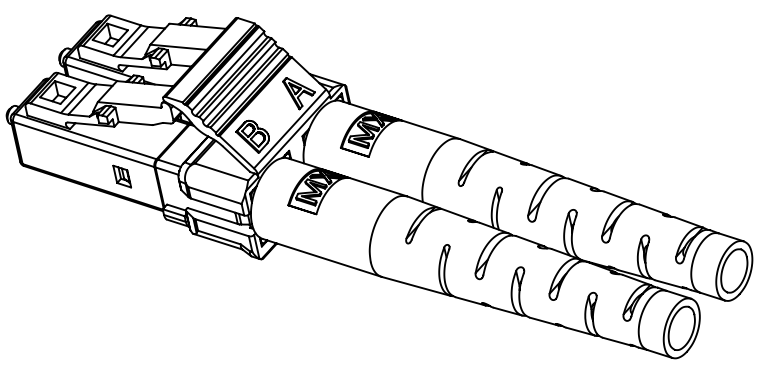
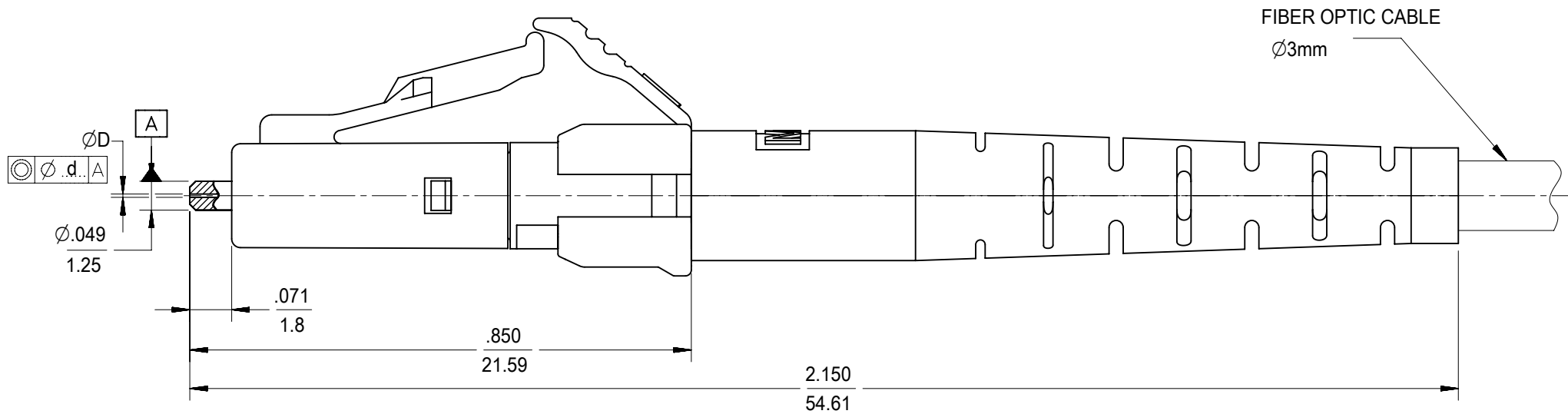
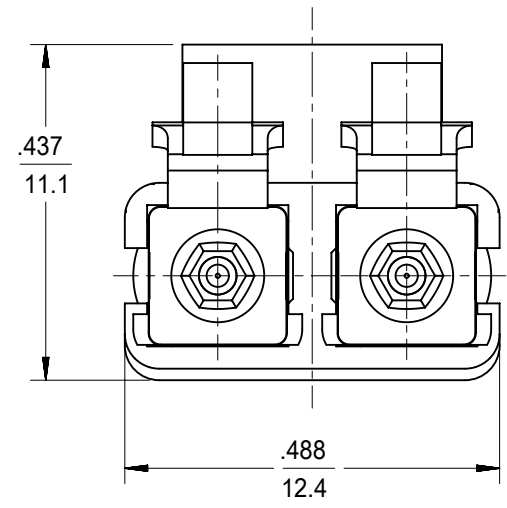
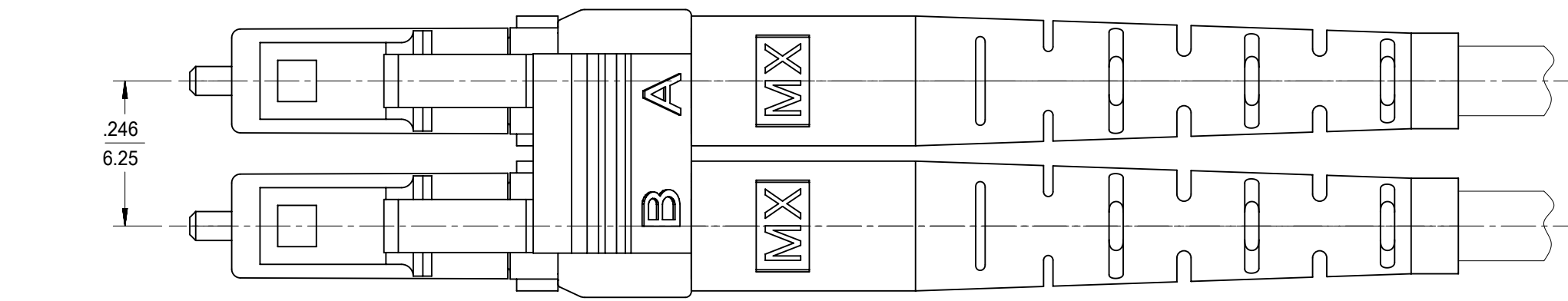


CONNECTOR P/N	ØD (um)	Ød (um)	CONN. BODY COLOR	CONN. BOOT COLOR	CABLE TYPE
1060252250	125.5 +0.5/-0	1	BLUE	WHITE	SINGLE MODE
1060253250	127 +0.3/-0	3	BEIGE	WHITE	MULTIMODE
1060253260					
1060254250	125 +05/-0	1	BLUE	WHITE	SINGLEMODE
1060255250	126 +0.5/-0				
1060256250	125.25 +0.5/-0				
1060252270	125.5 +0.5/-0				
3 1060255260	126 +1.0/-0	1	BEIGE	WHITE	MULTIMODE
3 1060253270	127 +3/-0	3			



ISOMETRIC VIEW
SCALE 2:1

- NOTES:
- ALL DIMENSIONS ARE FOR REFERENCE ONLY.
 - DUST CAPS ARE NOT SHOWN.
 - P/N's 1060255260 AND 1060253270 ARE BULK PACKED IN QUANTITIES OF 100PCS.

SYMBOLS		THIS DRAWING CONTAINS INFORMATION THAT IS PROPRIETARY TO MOLEX ELECTRONIC TECHNOLOGIES, LLC AND SHOULD NOT BE USED WITHOUT WRITTEN PERMISSION			
▽ = 0	DIMENSION UNITS	SCALE	CURRENT REV DESC:		
▽ = 0	HYBRID	4:1	EC NO: 172397		
▽ = 0	GENERAL TOLERANCES (UNLESS SPECIFIED)		DRWN: YBEDNYAK 2018/02/07		
▽ = 0	ANGULAR TOL ± 0.5°		CHK'D: IGUMIN 2018/02/22		
▽ = 0	4 PLACES	±	APPR: IGUMIN 2018/02/22		
▽ = 0	3 PLACES	±	INITIAL REVISION:		
▽ = 0	2 PLACES	±	DRWN: DBALTRUKONIS 2007/02/27		
▽ = 0	1 PLACE	±	APPR: IGUMIN 2007/02/27		
▽ = 0	0 PLACES	±	DOCUMENT NUMBER		
▽ = 0	DRAFT WHERE APPLICABLE MUST REMAIN WITHIN DIMENSIONS		THIRD ANGLE PROJECTION		REVISION
		DRAWING		SERIES	DOC TYPE DOC PART
		B-SIZE		106025	PSD 001
		SEE TABLE		CUSTOMER	REVISION
		GENERAL MARKET		C	
		1 OF 1			