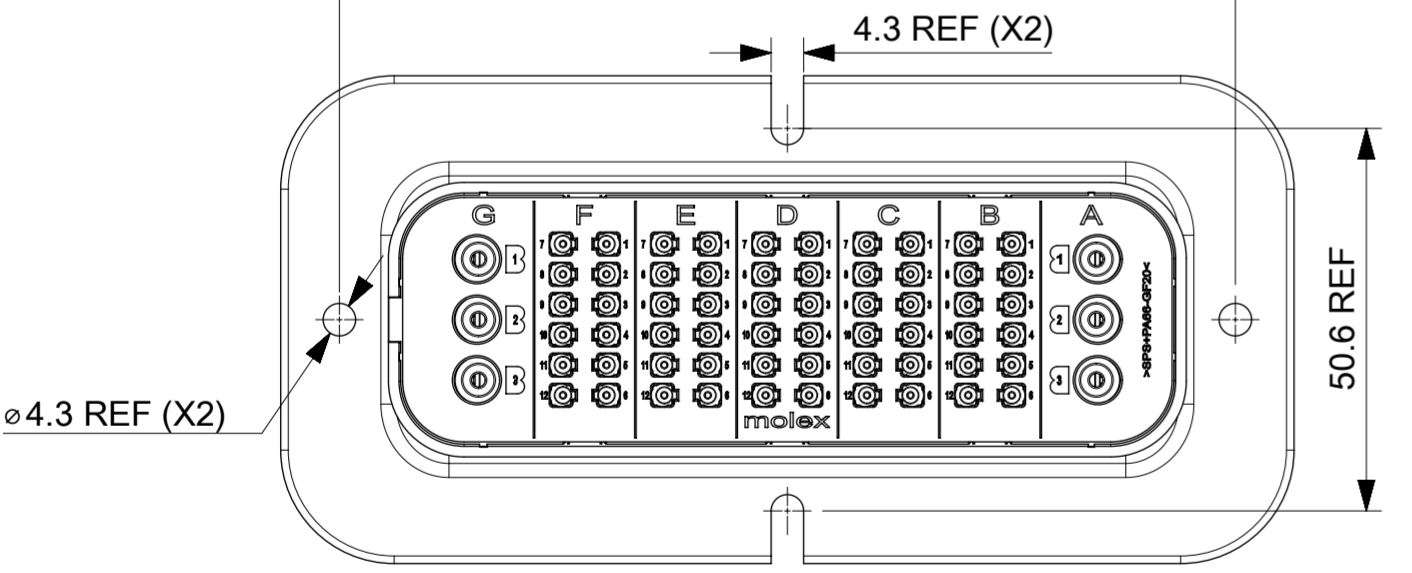
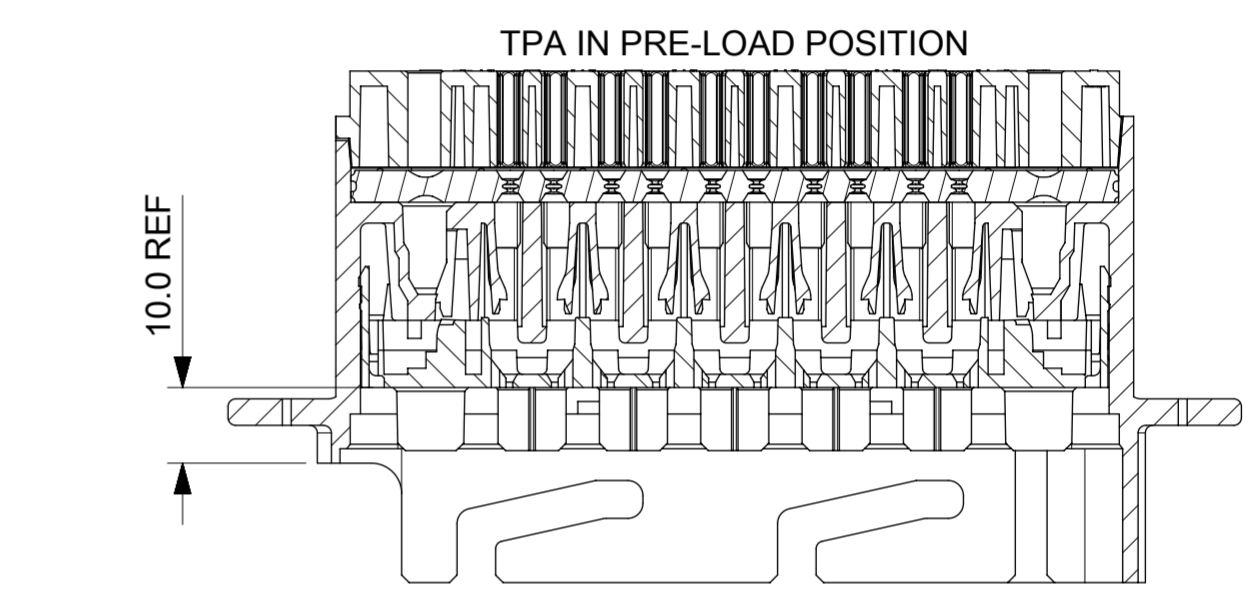
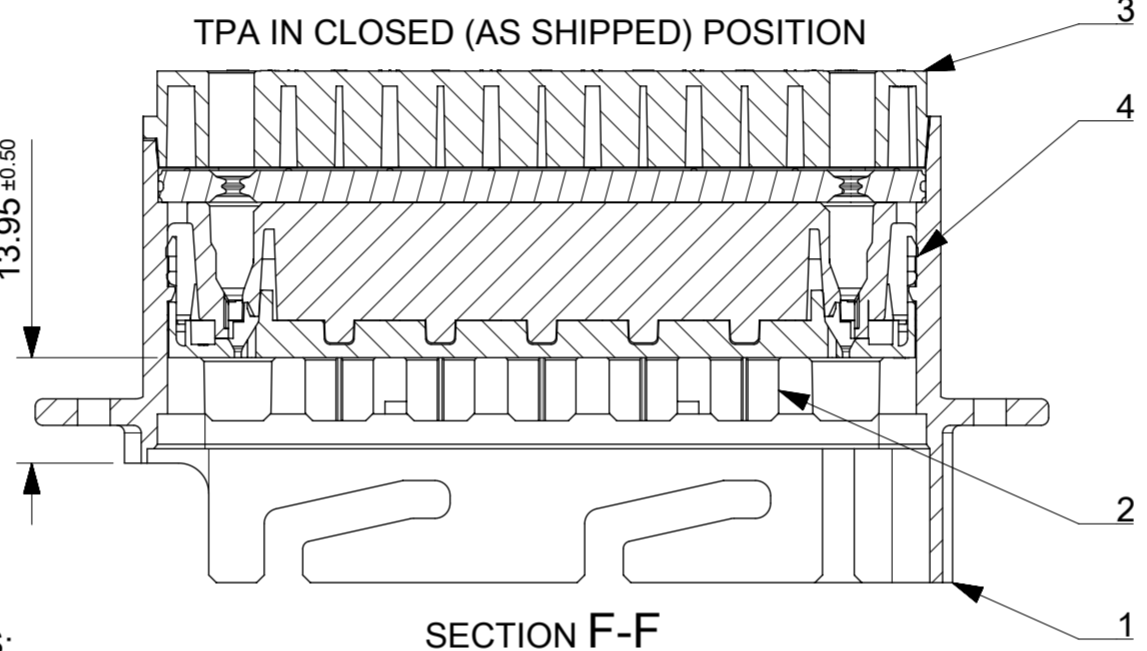
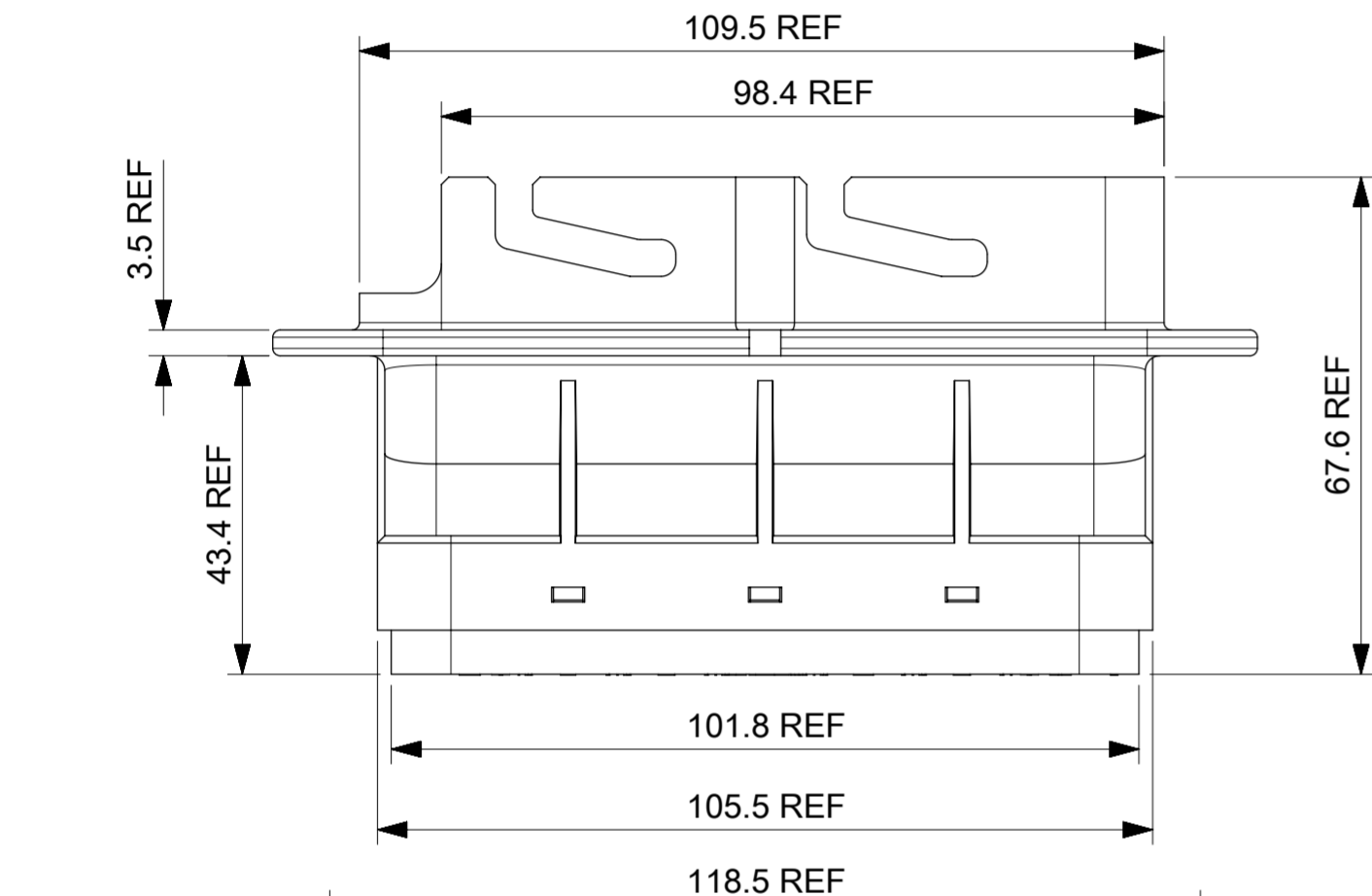
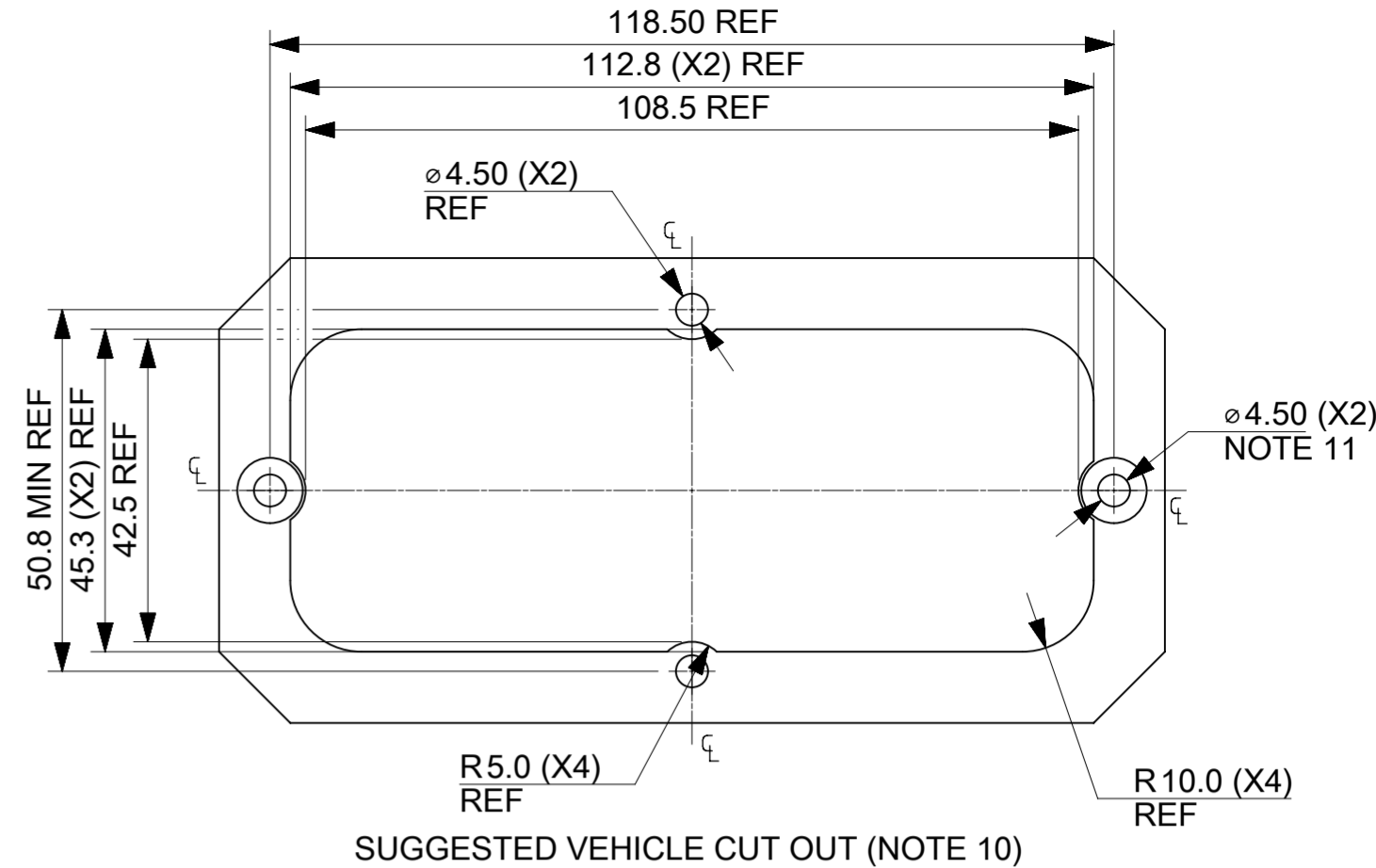
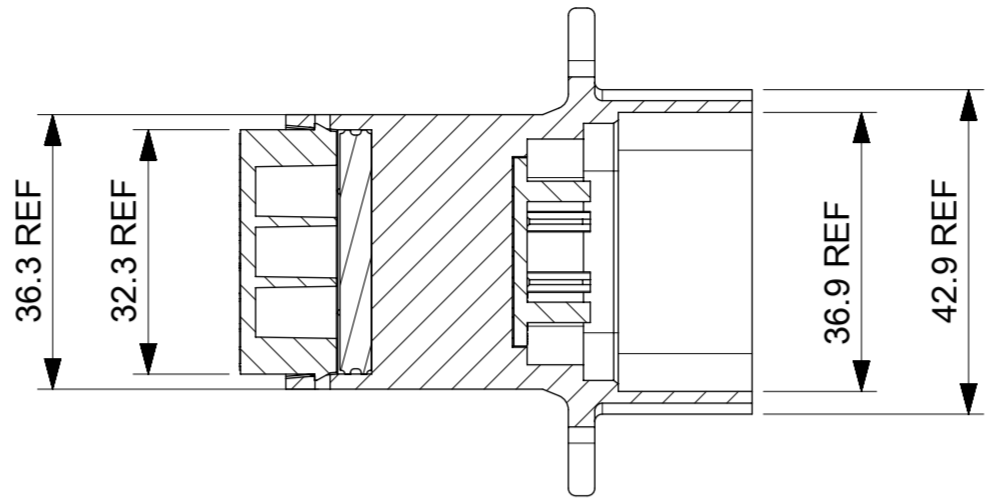
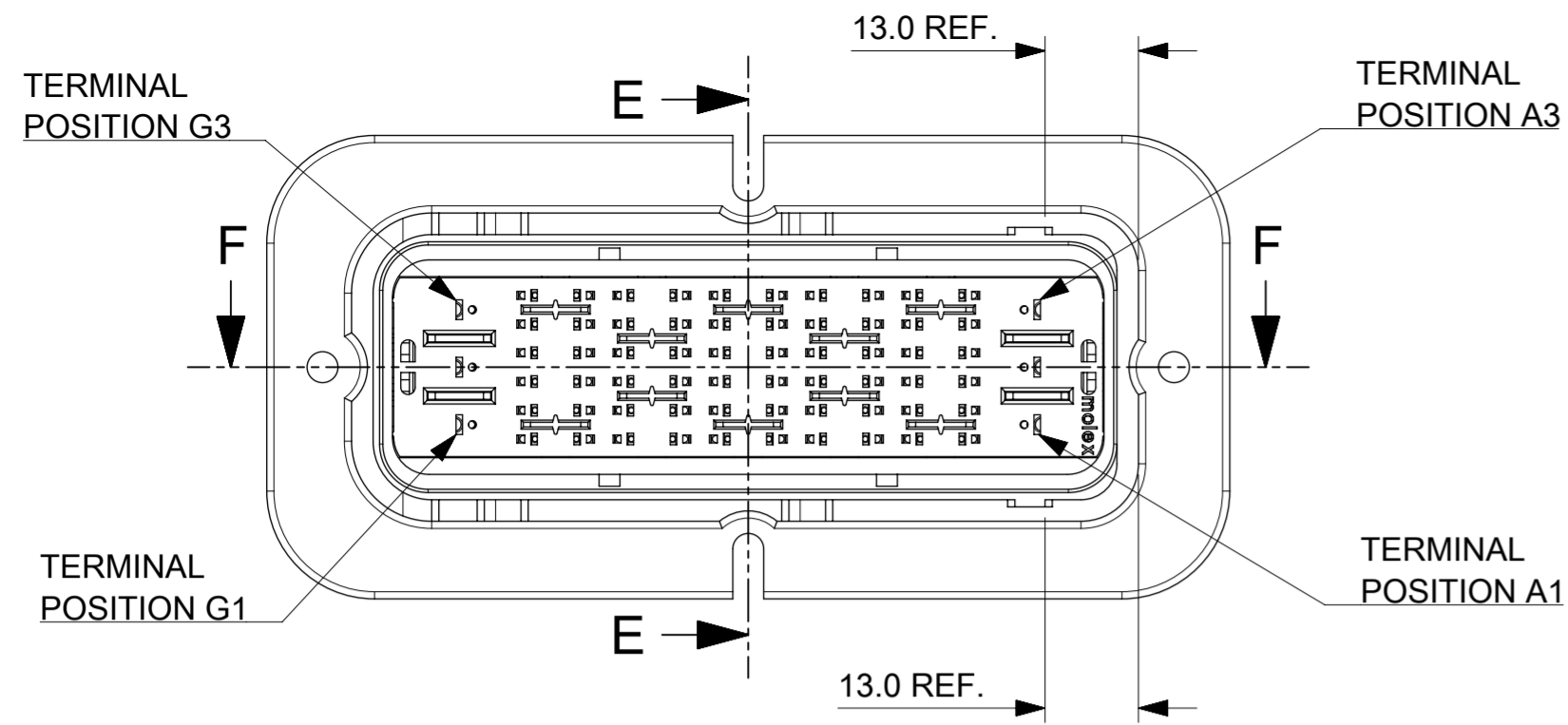


60+6AG MAIN HOUSING BLACK

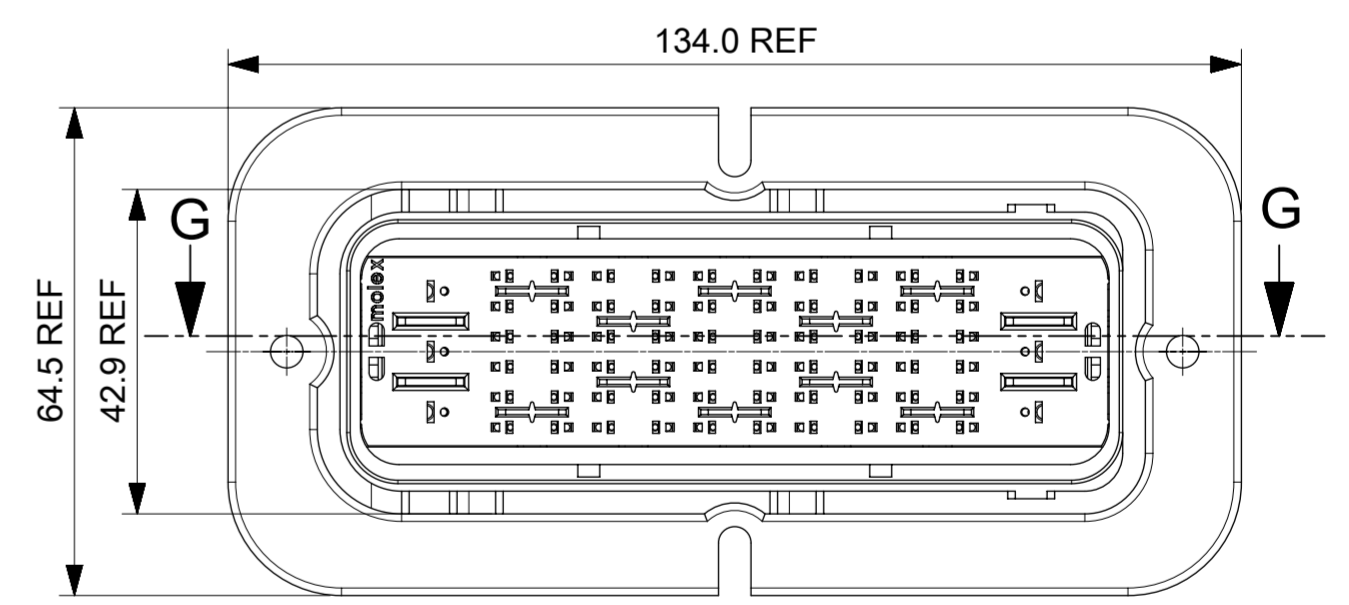
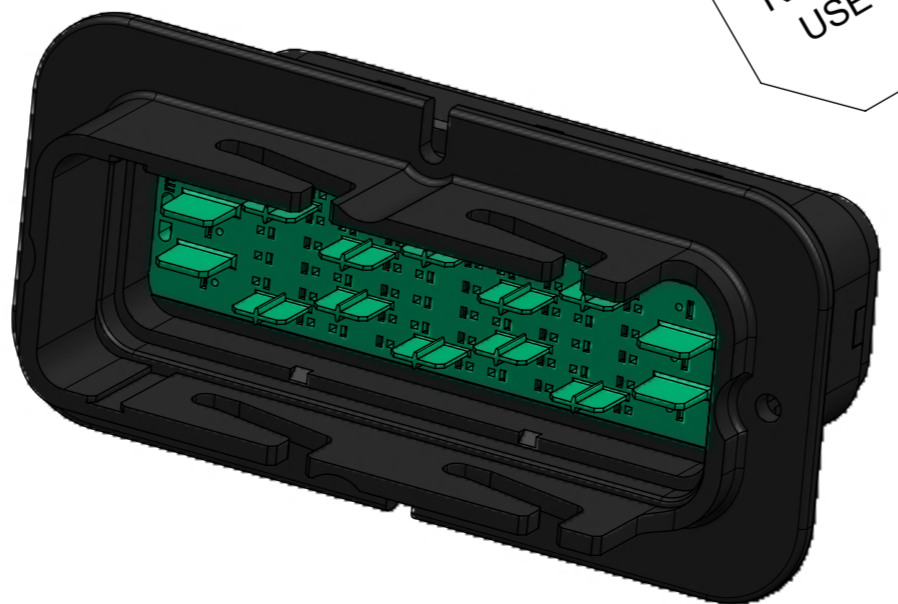


- NOTES:**
- MATERIALS:
HOUSINGS: SPS/NYLON BLEND, GLASS FILLED, UL 94 HB
SEAL: SILICONE RUBBER
 - EXTERNAL SURFACES CLASS C PER MOLEX STANDARD PS-45499-002. VARIATION OF SHADE WITHIN OR BETWEEN BATCHES, OR DISCOLOURATION IS ACCEPTABLE.
 - MX150 BLADE TERMINALS PER SD-33000-001 TO BE USED WITH THESE ASSEMBLIES IN CAVITIES B, C, D, E AND F, CRIMPED WITH CABLE INSULATION OUTER DIAMETER IN THE RANGE 1.5mm TO 2.7mm
 - MX150L BLADE TERMINALS PER SD-19431-00* TO BE USED WITH THESE ASSEMBLIES IN CAVITIES A AND G, CRIMPED WITH CABLE INSULATION OUTER DIAMETER IN THE RANGE 3.0mm TO 5.0mm
 - PRODUCT SPECIFICATION: 850830010 PSP
 - PACKAGING SPECIFICATION: 937921000 PSK
 - MATES WITH: SRC 60+6AG POWER RECEPTACLE HOUSING (BLACK) PART NUMBER 850840700 PER 850840700 PSD
 - APPLICATION SPECIFICATION: 850830010 PSA
 - FLANGE GASKET OPTION: REFER TO 850710017 PSD
 - SUGGESTED DIMENSIONS FOR FLAT PLATE. CUSTOMER SHOULD VERIFY FIT IN THEIR OWN APPLICATION. ALL DIMENSIONS SYMMETRIC ABOUT CENTRE LINES
 - CLEARANCE FOR M4 COUNTERSUNK HEADS RECOMMENDED FOR THESE HOLES

ACCEPTABLE CABLE INSULATION Ø RANGES (mm) - NOTES 3 & 4						
CAVITY SET						
G	F	E	D	C	B	A
3.0 - 5.0	1.5 - 2.7	1.5 - 2.7	1.5 - 2.7	1.5 - 2.7	1.5 - 2.7	3.0 - 5.0

No.	DESCRIPTION	QTY	COLOUR
4	MALE BACK SEAL	1	RUST RED
3	MALE REAR COVER	1	BLACK
2	MALE FRONT COVER	1	GREEN
1	MALE HOUSING	1	BLACK

BILL OF MATERIAL

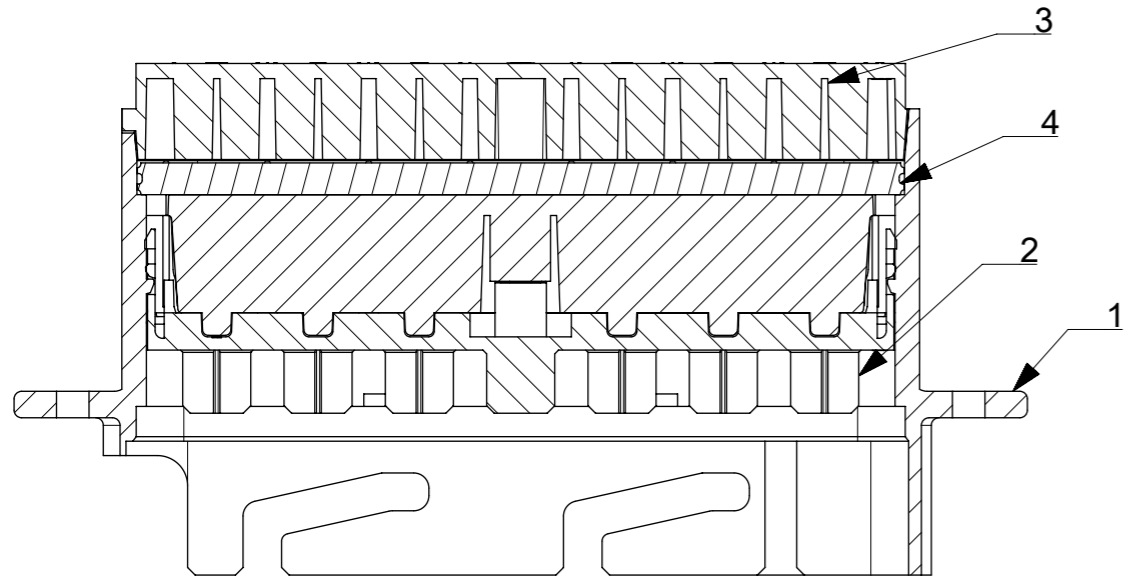


THIS DRAWING CONTAINS INFORMATION THAT IS PROPRIETARY TO MOLEX ELECTRONIC TECHNOLOGIES, LLC AND SHOULD NOT BE USED WITHOUT WRITTEN PERMISSION

DIMENSION UNITS	SCALE	CURRENT REV DESC: UPDATED CUT OUT	
mm	1:1		
GENERAL TOLERANCES (UNLESS SPECIFIED)		EC NO:	
ANGULAR TOL	± °	DRWN: AJOBRIEN	2018/05/21
4 PLACES	±	CHK'D: JFLETCHER	2019/05/07
3 PLACES	±	APPR:	
2 PLACES	± 0.2	INITIAL REVISION:	
1 PLACE	± 0.5	DRWN: AJOBRIEN	2015/08/07
0 PLACES	±	APPR: JDWALLACE	2015/09/03
DRAFT WHERE APPLICABLE MUST REMAIN WITHIN DIMENSIONS	THIRD ANGLE PROJECTION	DRAWING	SERIES
		A2-SIZE	93792
		MATERIAL NUMBER	CUSTOMER
		937926006	GENERAL MARKET
		DOC TYPE	DOC PART
		PSD	000
		REVISION	C
		SHEET NUMBER	1 OF 16

DOCUMENT STATUS	RV	RELEASE DATE
4	13	12

72+2D MAIN HOUSING BLACK



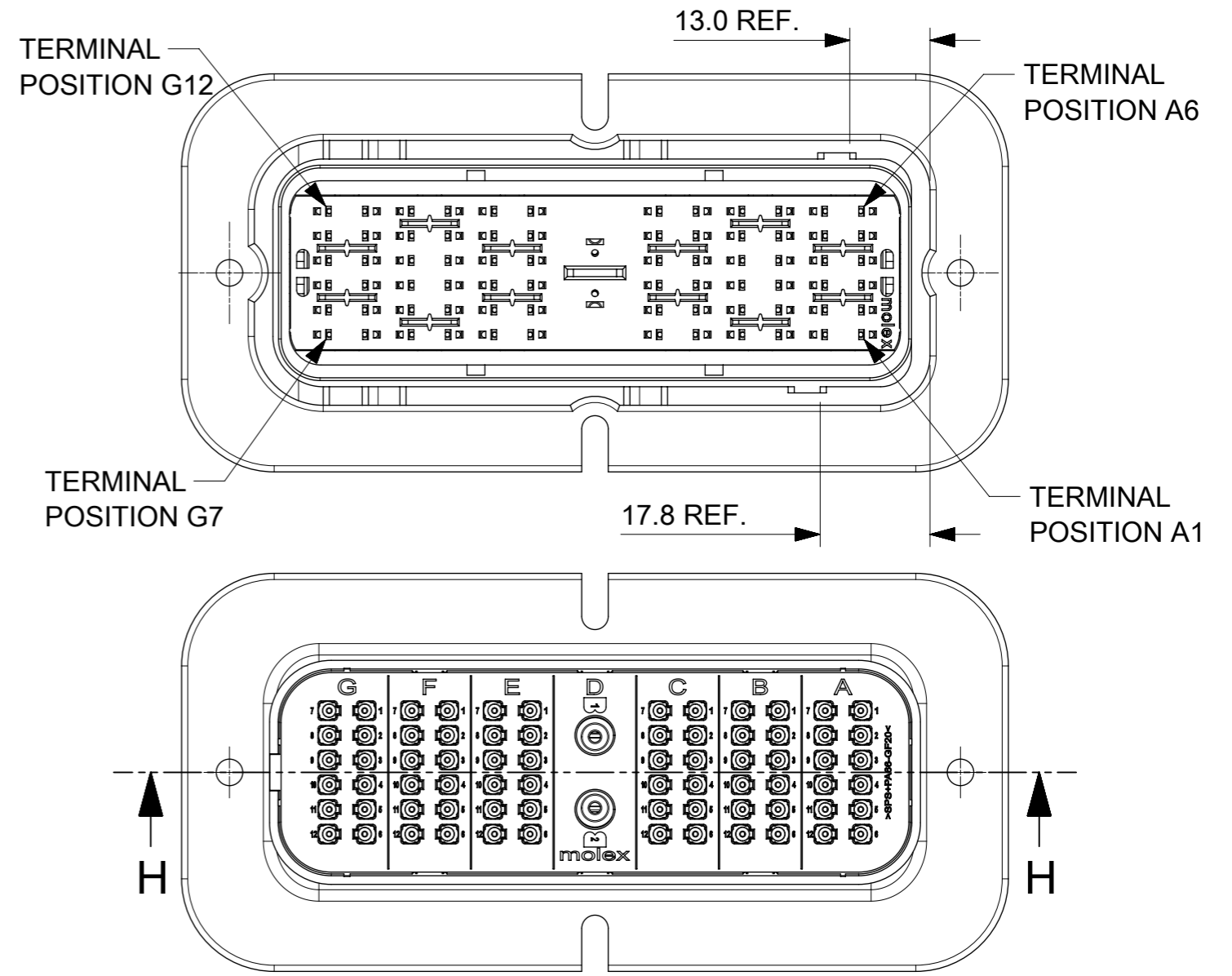
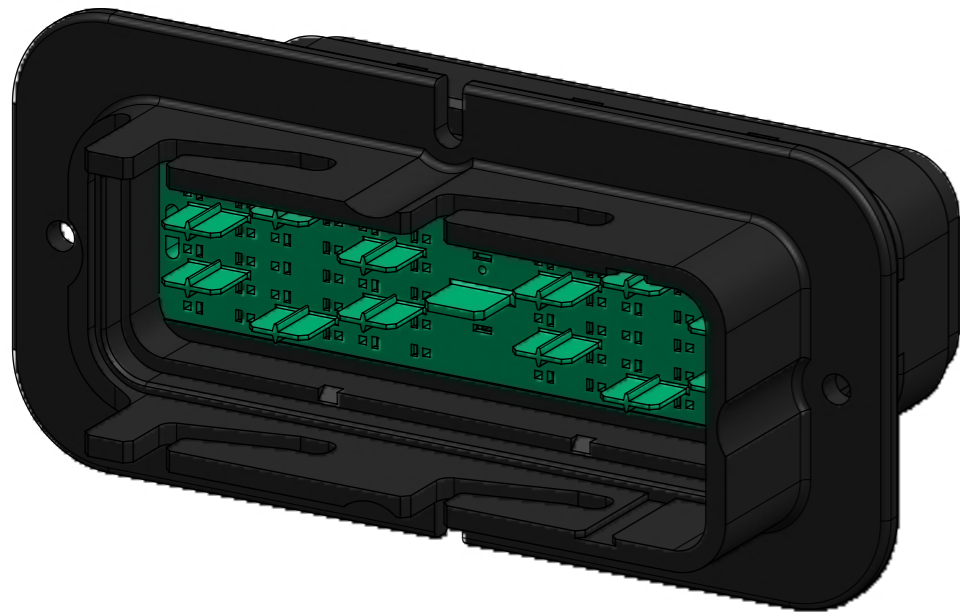
SECTION H-H

ACCEPTABLE CABLE INSULATION Ø RANGES (mm) - NOTES 2 & 3

CAVITY SET

G	F	E	D	C	B	A
1.5 - 2.7	1.5 - 2.7	1.5 - 2.7	3.0 - 5.0	1.5 - 2.7	1.5 - 2.7	1.5 - 2.7

No.	DESCRIPTION	QTY	COLOUR
4	MALE BACK SEAL	1	RUST RED
3	MALE REAR COVER	1	BLACK
2	MALE FRONT COVER	1	GREEN
1	MALE HOUSING	1	BLACK
BILL OF MATERIAL			



NOTES:

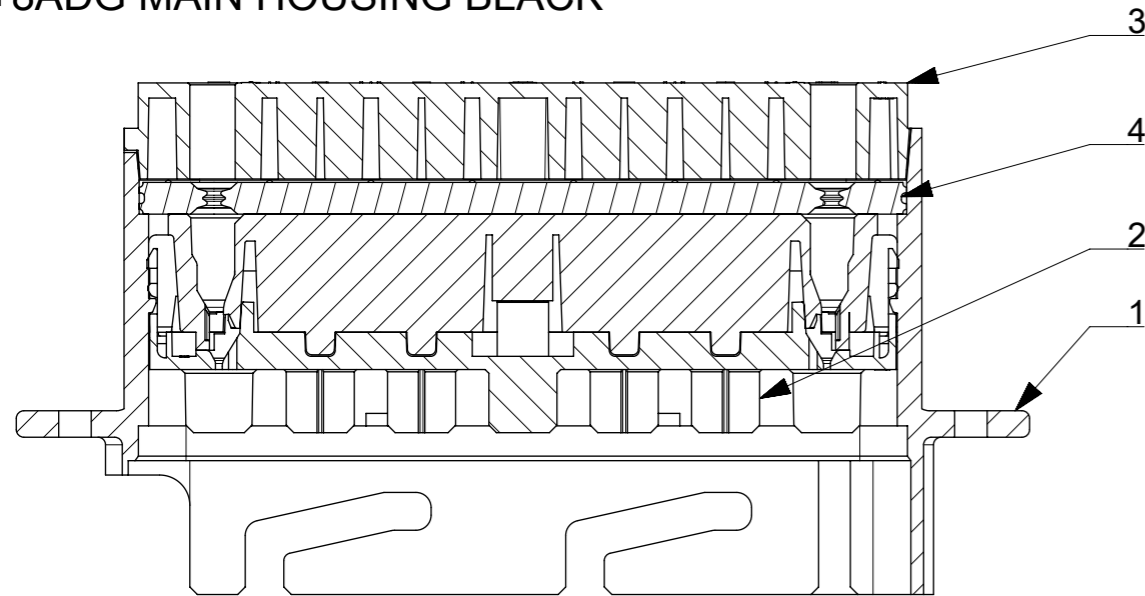
- REFERENCE SHEET 1 FOR UNSPECIFIED NOTES AND DIMENSIONS
 - MX150 BLADE TERMINALS PER SD-33000-001 TO BE USED WITH THIS ASSEMBLY IN CAVITIES A, B, C, E, F AND G, CRIMPED WITH CABLE INSULATION OUTER DIAMETER IN THE RANGE 1.5mm TO 2.7mm
 - MX150L BLADE TERMINALS PER SD-19431-00* TO BE USED WITH THIS ASSEMBLY IN CAVITY D CRIMPED WITH CABLE INSULATION OUTER DIAMETER IN THE RANGE 3.0mm TO 5.0mm
- COMPATIBLE WITH: SRC 72+2D POWER RECEPTACLE HOUSING ASSEMBLY (BLACK) PART NUMBER 850847202 PER 850840700 PSD

PRE-RELEASE
REFERENCE
USE ONLY

THIS DRAWING CONTAINS INFORMATION THAT IS PROPRIETARY TO MOLEX ELECTRONIC TECHNOLOGIES, LLC AND SHOULD NOT BE USED WITHOUT WRITTEN PERMISSION		CURRENT REV DESC: UPDATED CUT OUT		molex	
DIMENSION UNITS	SCALE	EC NO:			
mm	1:1	DRWN: AJOBRIEN 2018/05/21		SRC MIXED POWER MALE BLADE HOUSING ASSEMBLY	
GENERAL TOLERANCES (UNLESS SPECIFIED)		CHK'D: JFLETCHER 2019/05/07			
ANGULAR TOL	± °	APPR:		PRODUCT CUSTOMER DRAWING	
4 PLACES	±	INITIAL REVISION:		DOCUMENT NUMBER	DOC TYPE
3 PLACES	±	DRWN: AJOBRIEN 2015/08/07		937921000	PSD
2 PLACES	± 0.2	APPR: JDWALLACE 2015/09/03		DOC PART	REVISION
1 PLACE	± 0.5	MATERIAL NUMBER		000	C
0 PLACES	±	CUSTOMER		SHEET NUMBER	
DRAFT WHERE APPLICABLE MUST REMAIN WITHIN DIMENSIONS		THIRD ANGLE PROJECTION	DRAWING	SERIES	MATERIAL NUMBER
			A3-SIZE	93792	937927202
					GENERAL MARKET
					2 OF 16

DOCUMENT STATUS	RV	RELEASE DATE
-----------------	----	--------------

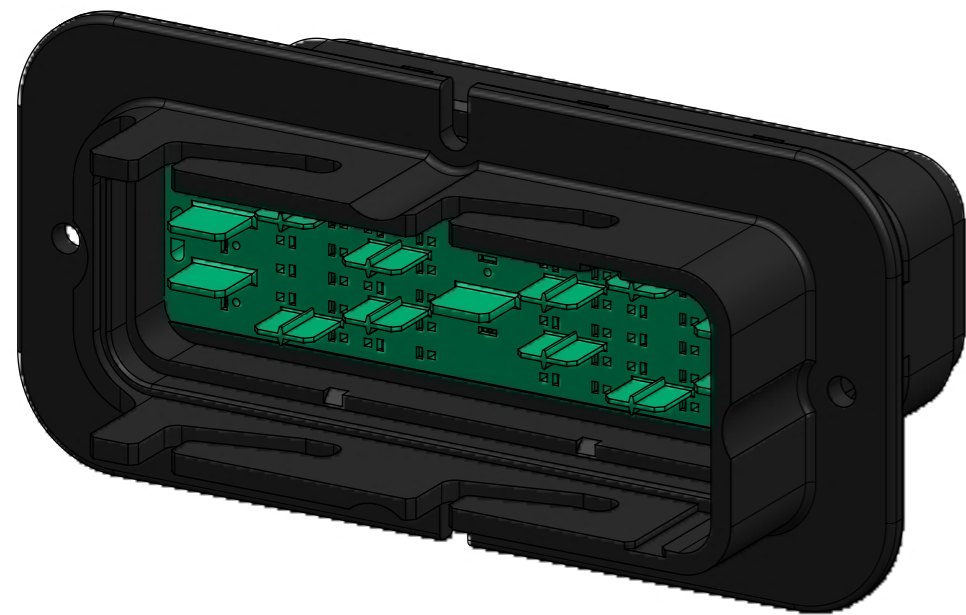
48+8ADG MAIN HOUSING BLACK



SECTION J-J

ACCEPTABLE CABLE INSULATION Ø RANGES (mm) - NOTES 2 & 3						
CAVITY SET						
G	F	E	D	C	B	A
3.0 - 5.0	1.5 - 2.7	1.5 - 2.7	3.0 - 5.0	1.5 - 2.7	1.5 - 2.7	3.0 - 5.0

No.	DESCRIPTION	QTY	COLOUR
4	MALE BACK SEAL	1	RUST RED
3	MALE REAR COVER	1	BLACK
2	MALE FRONT COVER	1	GREEN
1	MALE HOUSING	1	BLACK
BILL OF MATERIAL			



TERMINAL POSITION G3

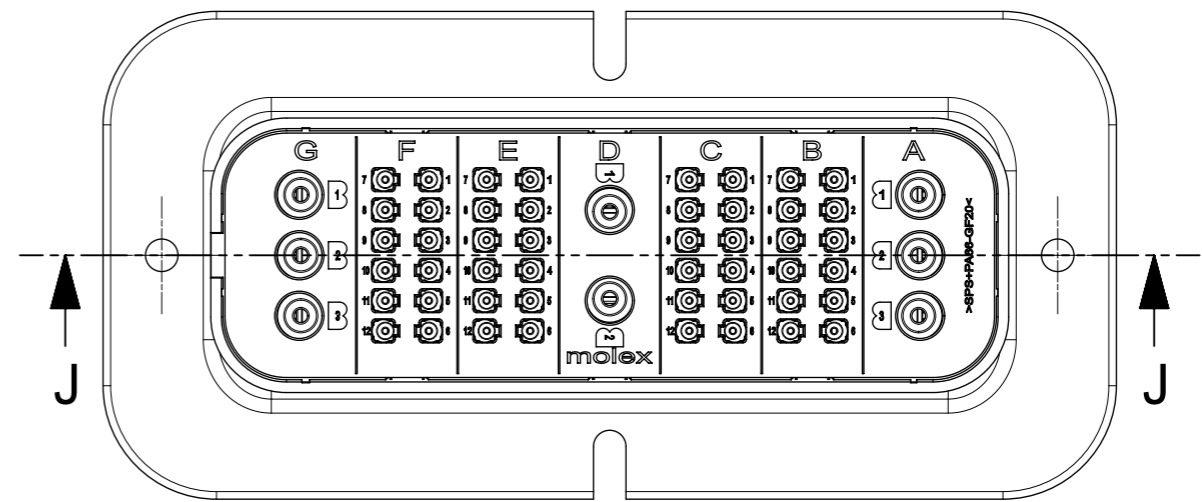
17.8 REF.

TERMINAL POSITION A3

TERMINAL POSITION G1

11.0 REF.

TERMINAL POSITION A1



NOTES:

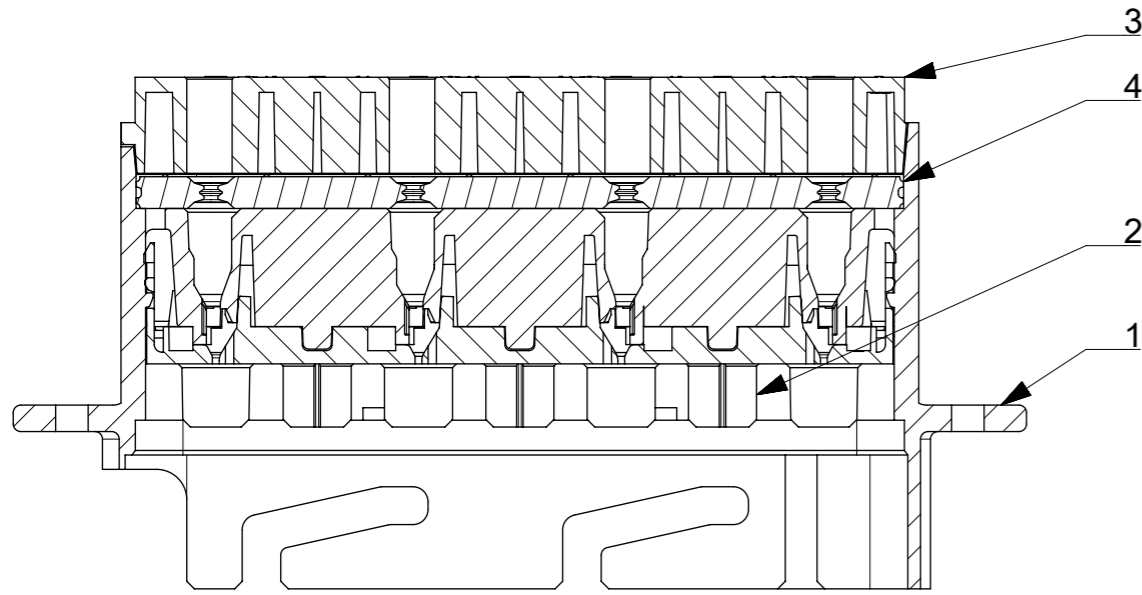
1. REFERENCE SHEET 1 FOR UNSPECIFIED NOTES AND DIMENSIONS
 2. MX150 BLADE TERMINALS PER SD-33000-001 TO BE USED WITH THIS ASSEMBLY IN CAVITIES B, C, E AND F, CRIMPED WITH CABLE INSULATION OUTER DIAMETER IN THE RANGE 1.5mm TO 2.7mm
 3. MX150L BLADE TERMINALS PER SD-19431-00* TO BE USED WITH THIS ASSEMBLY IN CAVITIES A, D AND G, CRIMPED WITH CABLE INSULATION OUTER DIAMETER IN THE RANGE 3.0mm TO 5.0mm
- COMPATIBLE WITH: SRC 48+8ADG POWER RECEPTACLE HOUSING ASSEMBLY (BLACK) PART NUMBER 850844808 PER 850840700 PSD

PRE-RELEASE
REFERENCE
USE ONLY

THIS DRAWING CONTAINS INFORMATION THAT IS PROPRIETARY TO MOLEX ELECTRONIC TECHNOLOGIES, LLC AND SHOULD NOT BE USED WITHOUT WRITTEN PERMISSION		CURRENT REV DESC: UPDATED CUT OUT		molex	
DIMENSION UNITS	SCALE				
mm	1:1			SRC MIXED POWER MALE BLADE HOUSING ASSEMBLY	
GENERAL TOLERANCES (UNLESS SPECIFIED)		EC NO:		PRODUCT CUSTOMER DRAWING	
ANGULAR TOL ± °		DRWN: AJOBRIEN 2018/05/21		DOCUMENT NUMBER	
4 PLACES ±		CHK'D: JFLETCHER 2019/05/07		937921000	
3 PLACES ±		APPR:		DOC TYPE	
2 PLACES ± 0.2		INITIAL REVISION:		PSD	
1 PLACE ± 0.5		DRWN: AJOBRIEN 2015/08/07		DOC PART	
0 PLACES ±		APPR: JDWALLACE 2015/09/03		000	
DRAFT WHERE APPLICABLE MUST REMAIN WITHIN DIMENSIONS		THIRD ANGLE PROJECTION	DRAWING	SERIES	MATERIAL NUMBER
			A3-SIZE	93792	937924808
				CUSTOMER	SHEET NUMBER
				GENERAL MARKET	3 OF 16

DOCUMENT STATUS	RV	RELEASE DATE	
-----------------	----	--------------	--

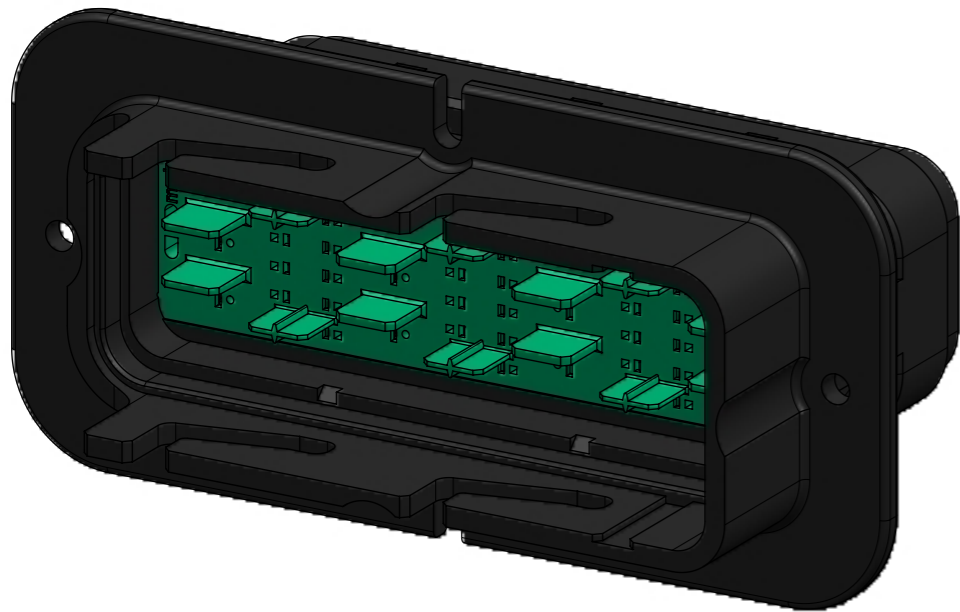
36+12ACEG MAIN HOUSING BLACK



SECTION K-K

ACCEPTABLE CABLE INSULATION Ø RANGES (mm) - NOTES 2 & 3						
CAVITY SET						
G	F	E	D	C	B	A
3.0 - 5.0	1.5 - 2.7	3.0 - 5.0	1.5 - 2.7	3.0 - 5.0	1.5 - 2.7	3.0 - 5.0

4	MALE BACK SEAL	1	RUST RED
3	MALE REAR COVER	1	BLACK
2	MALE FRONT COVER	1	GREEN
1	MALE HOUSING	1	BLACK
No.	DESCRIPTION	QTY	COLOUR
BILL OF MATERIAL			



TERMINAL POSITION G3

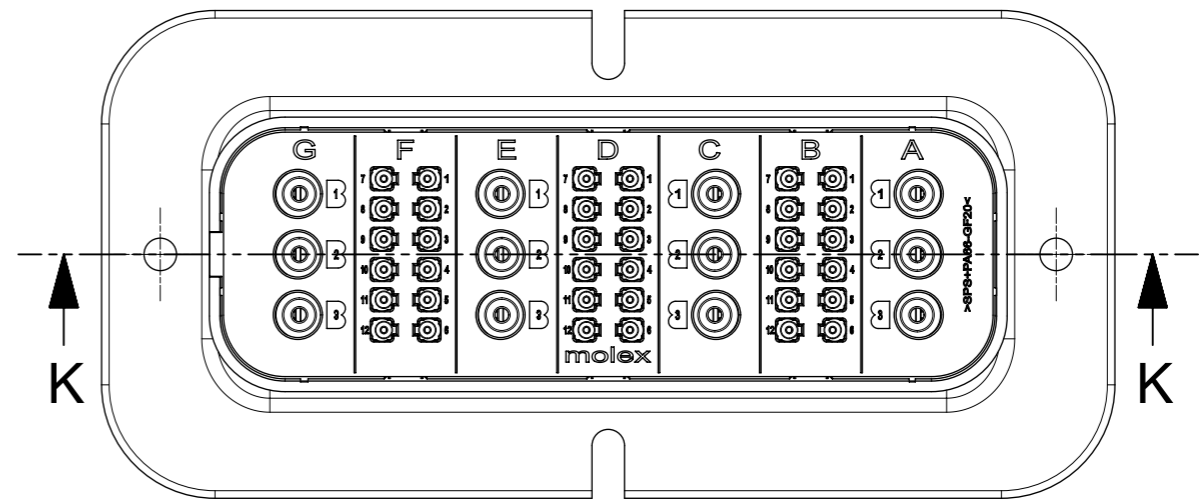
TERMINAL POSITION G1

15.0 REF.

TERMINAL POSITION A3

TERMINAL POSITION A1

15.0 REF.



NOTES:

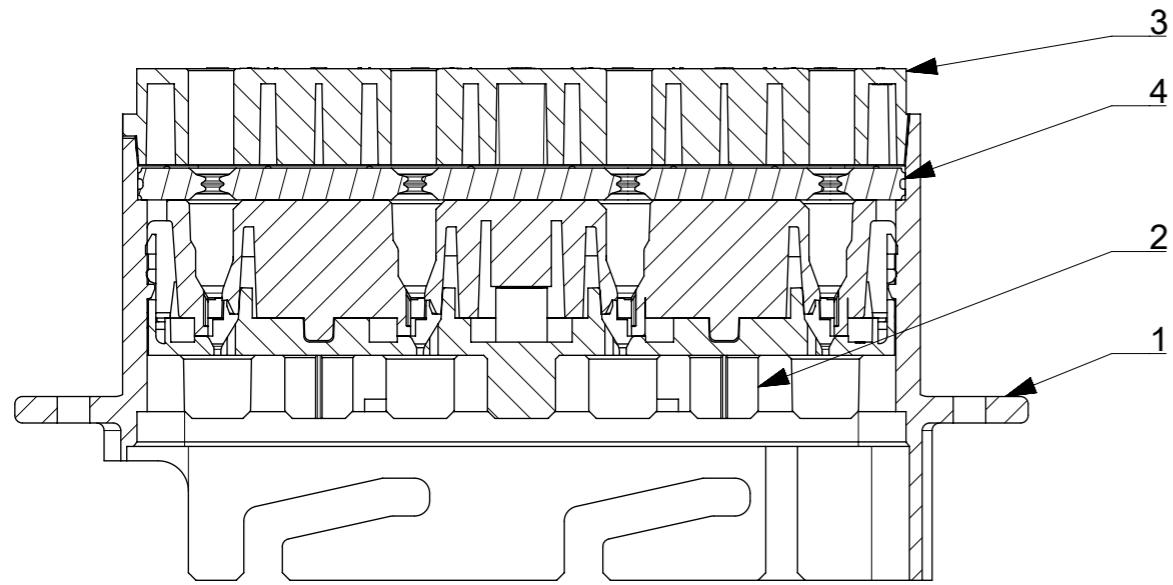
1. REFERENCE SHEET 1 FOR UNSPECIFIED NOTES AND DIMENSIONS
 2. MX150 BLADE TERMINALS PER SD-33000-001 TO BE USED WITH THIS ASSEMBLY IN CAVITIES B, D AND F, CRIMPED WITH CABLE INSULATION OUTER DIAMETER IN THE RANGE 1.5mm TO 2.7mm
 3. MX150L BLADE TERMINALS PER SD-19431-00* TO BE USED WITH THIS ASSEMBLY IN CAVITIES A, C, E AND G, CRIMPED WITH CABLE INSULATION OUTER DIAMETER IN THE RANGE 3.0mm TO 5.0mm
- COMPATIBLE WITH: SRC 36+12ACEG POWER RECEPTACLE HOUSING ASSEMBLY (BLACK) PART NUMBER 850843612 PER 850840700 PSD

PRE-RELEASED
 REFERENCE ONLY
 USE ONLY

THIS DRAWING CONTAINS INFORMATION THAT IS PROPRIETARY TO MOLEX ELECTRONIC TECHNOLOGIES, LLC AND SHOULD NOT BE USED WITHOUT WRITTEN PERMISSION		CURRENT REV DESC: UPDATED CUT OUT		molex	
DIMENSION UNITS	SCALE	EC NO:			
mm	1:1	DRWN: AJOBRIEN 2018/05/21		SRC MIXED POWER MALE BLADE HOUSING ASSEMBLY	
GENERAL TOLERANCES (UNLESS SPECIFIED)		CHK'D: JFLETCHER 2019/05/07		PRODUCT CUSTOMER DRAWING	
ANGULAR TOL	± °	APPR:		DOCUMENT NUMBER	
4 PLACES	±	INITIAL REVISION:		937921000	
3 PLACES	±	DRWN: AJOBRIEN 2015/08/07		DOC TYPE	
2 PLACES	± 0.2	APPR: JDWALLACE 2015/09/03		PSD	
1 PLACE	± 0.5	MATERIAL NUMBER		DOC PART	
0 PLACES	±	93792		000	
DRAFT WHERE APPLICABLE MUST REMAIN WITHIN DIMENSIONS		THIRD ANGLE PROJECTION	DRAWING	SERIES	CUSTOMER
			A3-SIZE	93792	GENERAL MARKET
		SHEET NUMBER		4 OF 16	

DOCUMENT STATUS	RV	RELEASE DATE
-----------------	----	--------------

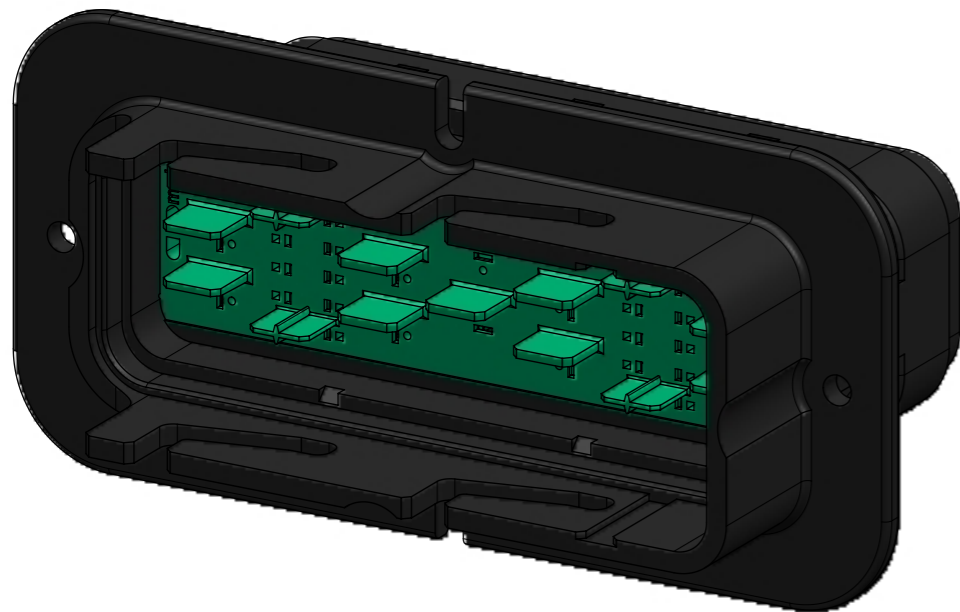
24+14ACDEG MAIN HOUSING BLACK



SECTION L-L

ACCEPTABLE CABLE INSULATION Ø RANGES (mm) - NOTES 2 & 3						
CAVITY SET						
G	F	E	D	C	B	A
3.0 - 5.0	1.5 - 2.7	3.0 - 5.0	3.0 - 5.0	3.0 - 5.0	1.5 - 2.7	3.0 - 5.0

4	MALE BACK SEAL	1	RUST RED
3	MALE REAR COVER	1	BLACK
2	MALE FRONT COVER	1	GREEN
1	MALE HOUSING	1	BLACK
No.	DESCRIPTION	QTY	COLOUR
BILL OF MATERIAL			

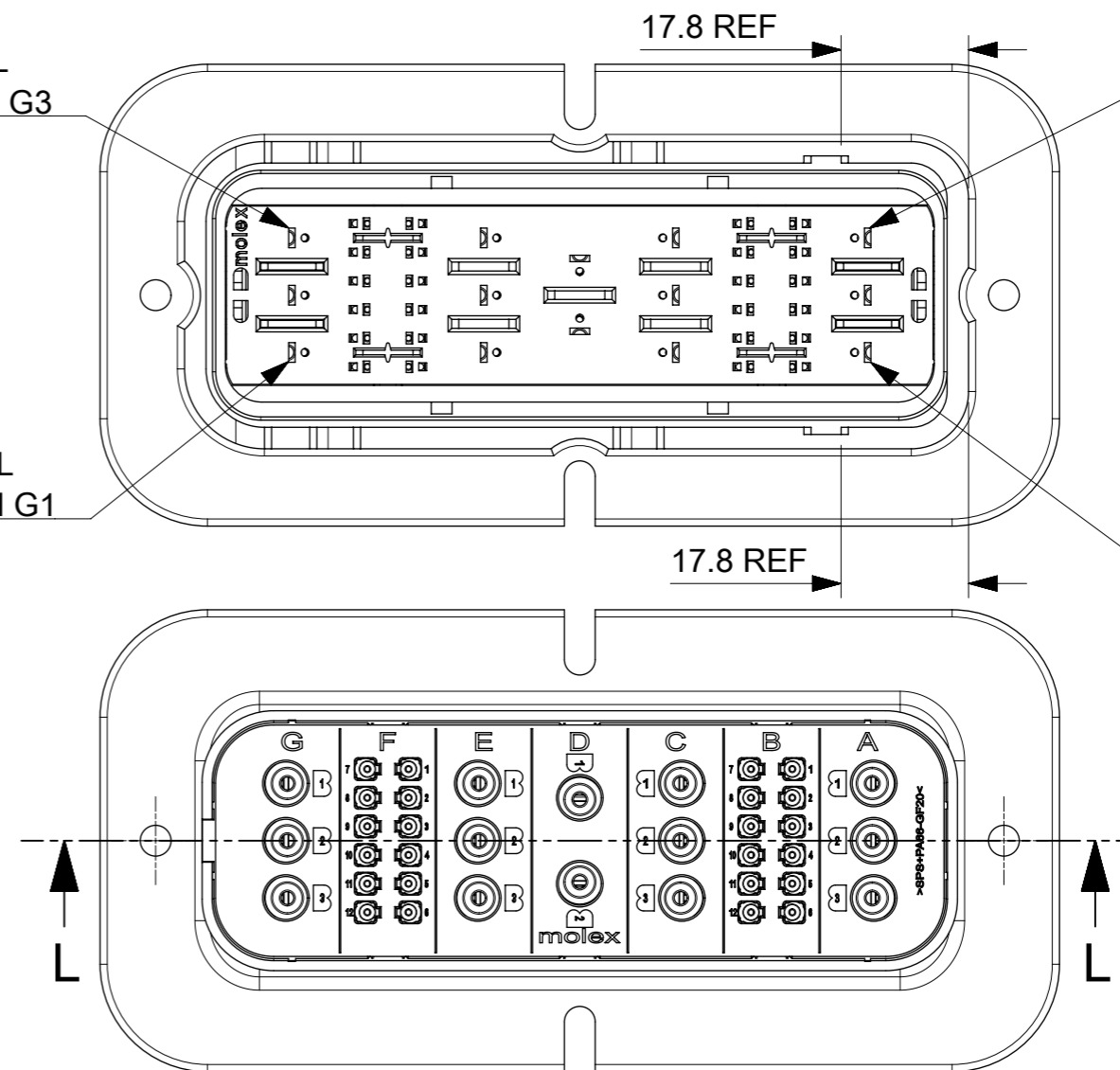


TERMINAL POSITION G3

TERMINAL POSITION A3

TERMINAL POSITION G1

TERMINAL POSITION A1



NOTES:

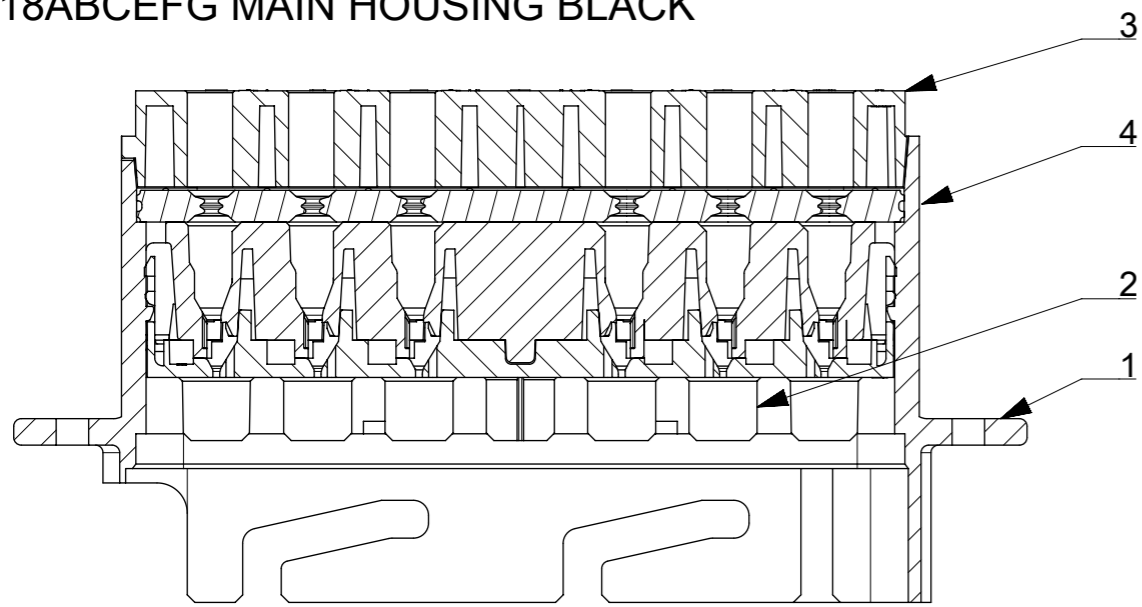
1. REFERENCE SHEET 1 FOR UNSPECIFIED NOTES AND DIMENSIONS
 2. MX150 BLADE TERMINALS PER SD-33000-001 TO BE USED WITH THIS ASSEMBLY IN CAVITIES B AND F, CRIMPED WITH CABLE INSULATION OUTER DIAMETER IN THE RANGE 1.5mm TO 2.7mm
 3. MX150L BLADE TERMINALS PER SD-19431-00* TO BE USED WITH THIS ASSEMBLY IN CAVITIES A, C, D, E AND G, CRIMPED WITH CABLE INSULATION OUTER DIAMETER IN THE RANGE 3.0mm TO 5.0mm
- ASSEMBLY WITH: SRC 24+14ACDEG POWER RECEPTACLE HOUSING ASSEMBLY (BLACK) PART NUMBER 850842414 PER 850840700 PSD

PRE-RELEASE
ASSEMBLY
REFERENCES
USING

THIS DRAWING CONTAINS INFORMATION THAT IS PROPRIETARY TO MOLEX ELECTRONIC TECHNOLOGIES, LLC AND SHOULD NOT BE USED WITHOUT WRITTEN PERMISSION		CURRENT REV DESC: UPDATED CUT OUT		molex		
DIMENSION UNITS	SCALE					
mm	1:1			SRC MIXED POWER MALE BLADE HOUSING ASSEMBLY		
GENERAL TOLERANCES (UNLESS SPECIFIED)		EC NO:		PRODUCT CUSTOMER DRAWING		
ANGULAR TOL	± °	DRWN: AJOBRIEN 2018/05/21		DOCUMENT NUMBER		
4 PLACES	±	CHK'D: JFLETCHER 2019/05/07		937921000		
3 PLACES	±	APPR:		DOC TYPE DOC PART REVISION		
2 PLACES	± 0.2	INITIAL REVISION:		PSD 000 C		
1 PLACE	± 0.5	DRWN: AJOBRIEN 2015/08/07		MATERIAL NUMBER		
0 PLACES	±	APPR: JDWALLACE 2015/09/03		937922414		
DRAFT WHERE APPLICABLE MUST REMAIN WITHIN DIMENSIONS		THIRD ANGLE PROJECTION	DRAWING	SERIES	CUSTOMER	SHEET NUMBER
			A3-SIZE	93792	GENERAL MARKET	5 OF 16

DOCUMENT STATUS	RV	RELEASE DATE	
-----------------	----	--------------	--

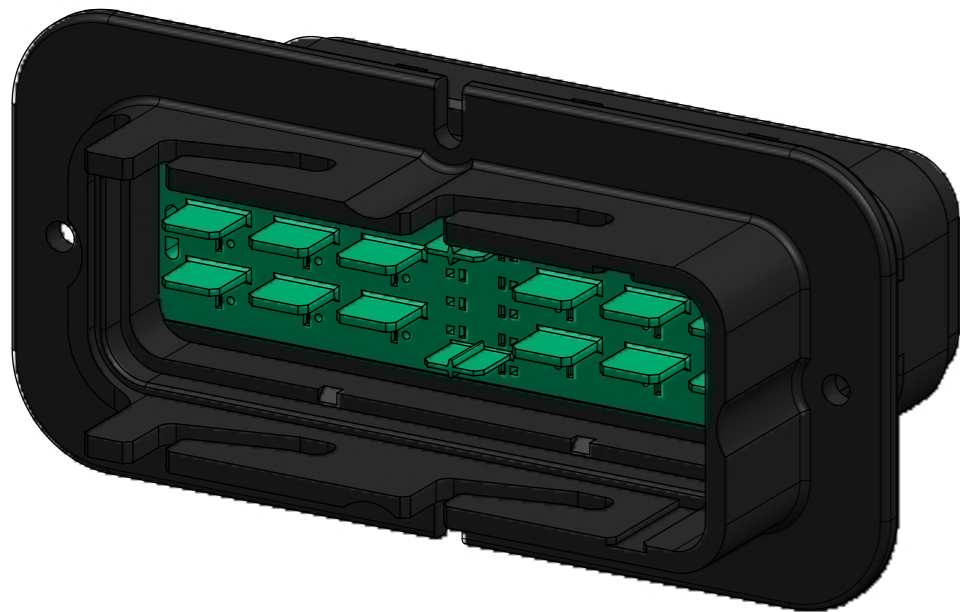
12+18ABCEFG MAIN HOUSING BLACK



SECTION M-M

ACCEPTABLE CABLE INSULATION Ø RANGES (mm) - NOTES 2 & 3						
CAVITY SET						
G	F	E	D	C	B	A
3.0 - 5.0	3.0 - 5.0	3.0 - 5.0	1.5 - 2.7	3.0 - 5.0	3.0 - 5.0	3.0 - 5.0

4	MALE BACK SEAL	1	RUST RED
3	MALE REAR COVER	1	BLACK
2	MALE FRONT COVER	1	GREEN
1	MALE HOUSING	1	BLACK
No.	DESCRIPTION	QTY	COLOUR
BILL OF MATERIAL			



TERMINAL POSITION G3

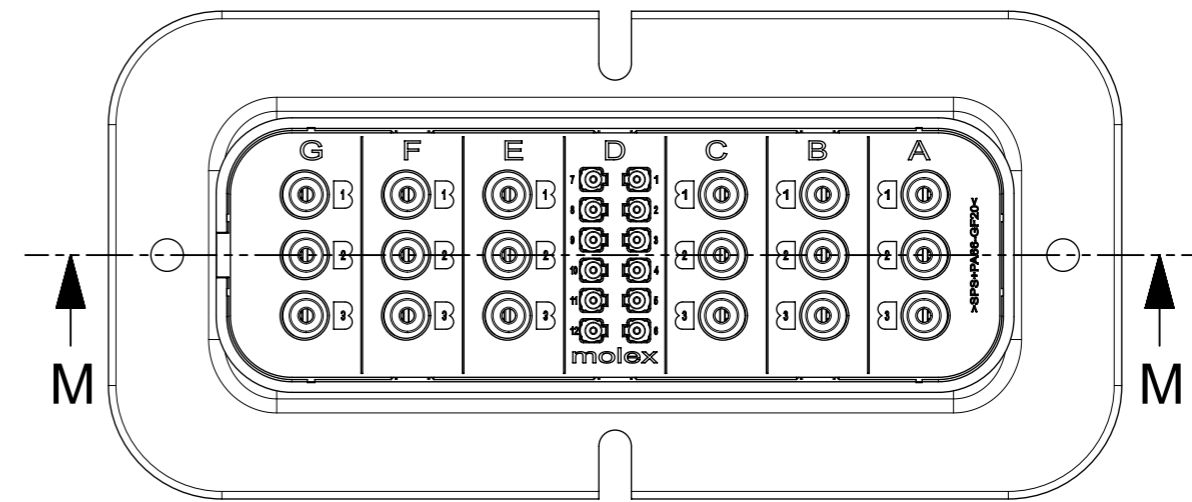
TERMINAL POSITION G1

15.0 REF

13.0 REF

TERMINAL POSITION A3

TERMINAL POSITION A1



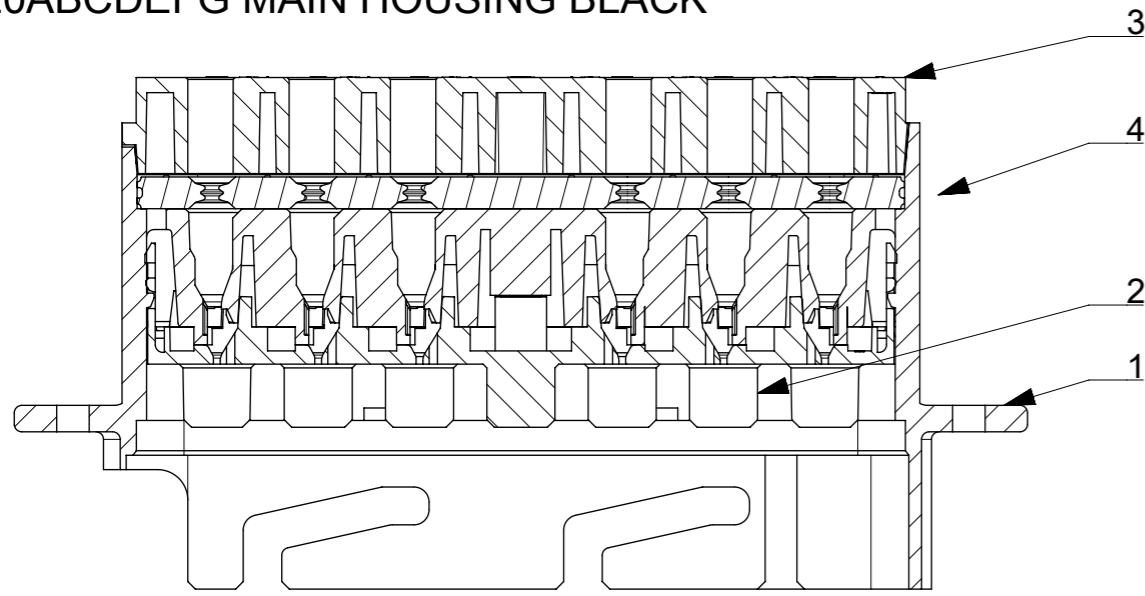
NOTES:

- REFERENCE SHEET 1 FOR UNSPECIFIED NOTES AND DIMENSIONS
 - MX150 BLADE TERMINALS PER SD-33000-001 TO BE USED WITH THIS ASSEMBLY IN CAVITY D CRIMPED, WITH CABLE INSULATION OUTER DIAMETER IN THE RANGE 1.5mm TO 2.7mm
 - MX150L BLADE TERMINALS PER SD-19431-00* TO BE USED WITH THIS ASSEMBLY IN CAVITY A, B, C, E, F AND G, CRIMPED WITH CABLE INSULATION OUTER DIAMETER IN THE RANGE 3.0mm TO 5.0mm
2. DATES WITH: SRC 12+18ABCEFG POWER RECEPTACLE HOUSING ASSEMBLY (BLACK) PART NUMBER 850841218 PER 850840700 PSD

PRE-REVIEWED
2. DATES WITH: SRC 12+18ABCEFG POWER RECEPTACLE HOUSING ASSEMBLY (BLACK) PART NUMBER 850841218 PER 850840700 PSD

THIS DRAWING CONTAINS INFORMATION THAT IS PROPRIETARY TO MOLEX ELECTRONIC TECHNOLOGIES, LLC AND SHOULD NOT BE USED WITHOUT WRITTEN PERMISSION		CURRENT REV DESC: UPDATED CUT OUT		molex	
DIMENSION UNITS	SCALE	EC NO:			
mm	1:1	DRWN: AJOBRIEN 2018/05/21		SRC MIXED POWER MALE BLADE HOUSING ASSEMBLY	
GENERAL TOLERANCES (UNLESS SPECIFIED)		CHK'D: JFLETCHER 2019/05/07		PRODUCT CUSTOMER DRAWING	
ANGULAR TOL	± °	APPR:		DOCUMENT NUMBER	
4 PLACES	±	INITIAL REVISION:		937921000	
3 PLACES	±	DRWN: AJOBRIEN 2015/08/07		DOC TYPE	DOC PART
2 PLACES	± 0.2	APPR: JDWALLACE 2015/09/03		PSD	000
1 PLACE	± 0.5	MATERIAL NUMBER		REVISION	C
0 PLACES	±	CUSTOMER		6 OF 16	
DRAFT WHERE APPLICABLE MUST REMAIN WITHIN DIMENSIONS		THIRD ANGLE PROJECTION	DRAWING	SERIES	SHEET NUMBER
			A3-SIZE	93792	937921218

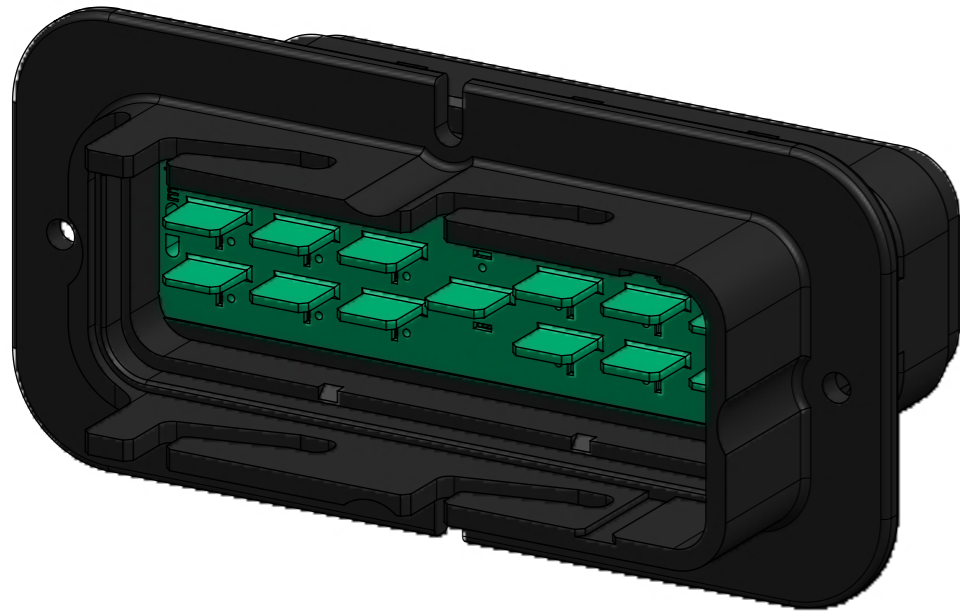
0+20ABCDEFGH MAIN HOUSING BLACK



SECTION N-N

ACCEPTABLE CABLE INSULATION Ø RANGES (mm) - NOTE 2						
CAVITY SET						
G	F	E	D	C	B	A
3.0 - 5.0	3.0 - 5.0	3.0 - 5.0	3.0 - 5.0	3.0 - 5.0	3.0 - 5.0	3.0 - 5.0

No.	DESCRIPTION	QTY	COLOUR
4	MALE BACK SEAL	1	RUST RED
3	MALE REAR COVER	1	BLACK
2	MALE FRONT COVER	1	GREEN
1	MALE HOUSING	1	BLACK
BILL OF MATERIAL			

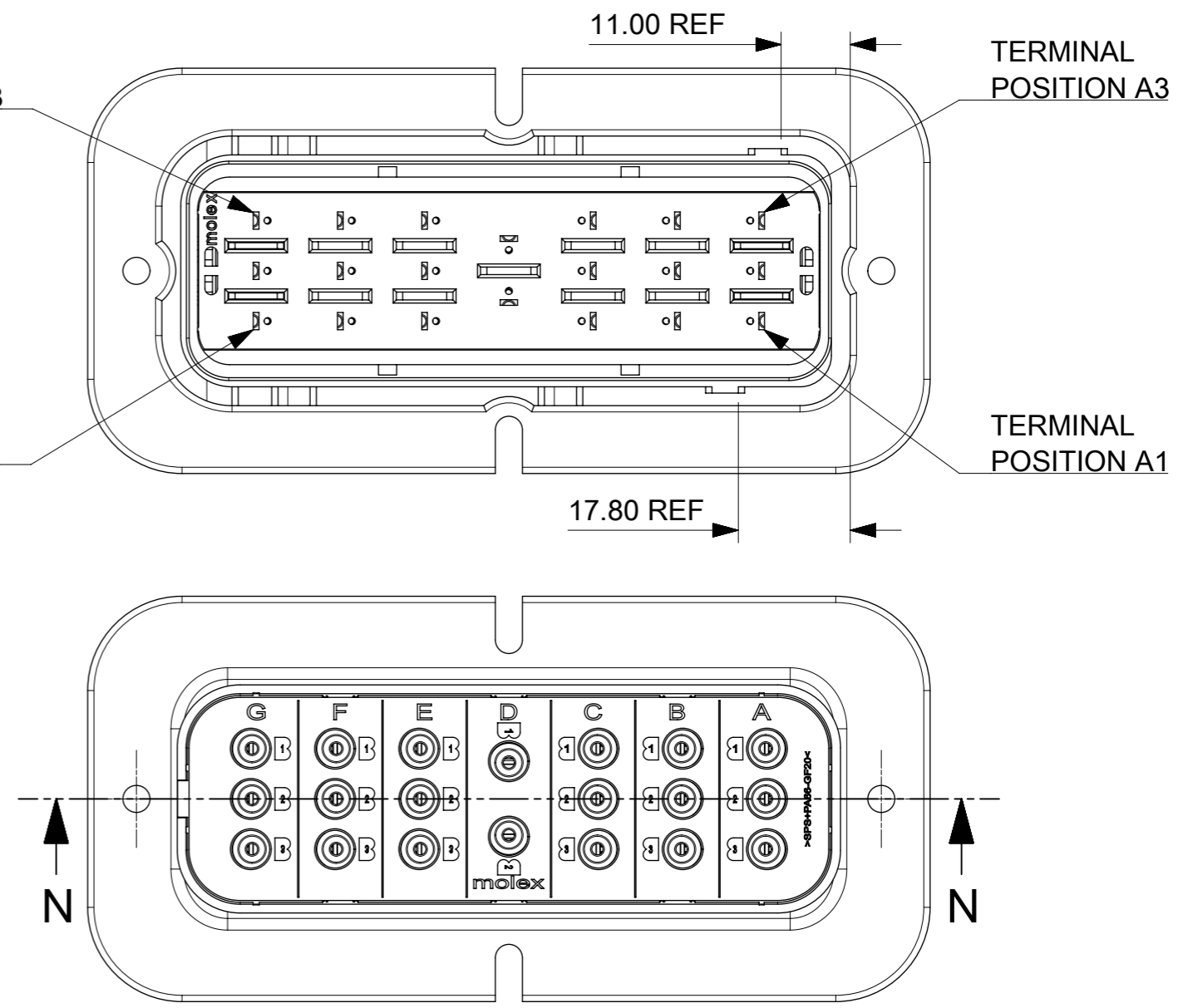


TERMINAL POSITION G3

TERMINAL POSITION A3

TERMINAL POSITION G1

TERMINAL POSITION A1



NOTES:

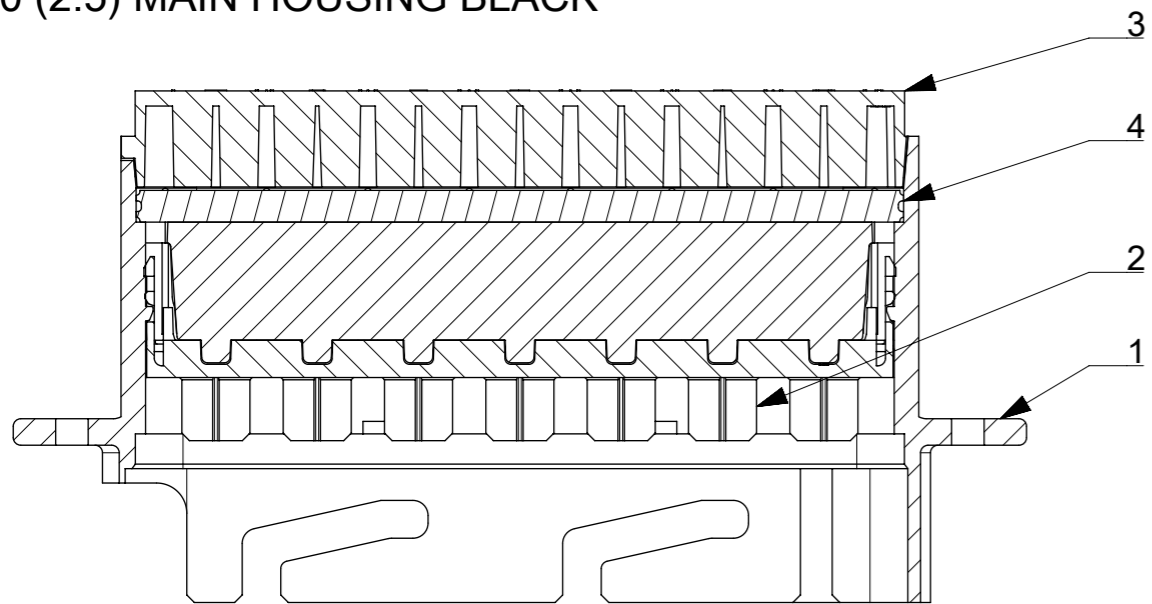
- REFERENCE SHEET 1 FOR UNSPECIFIED NOTES AND DIMENSIONS
 - MX150L BLADE TERMINALS PER SD-19431-00* TO BE USED WITH THIS ASSEMBLY IN ALL CAVITIES CRIMPED WITH CABLE INSULATION OUTER DIAMETER IN THE RANGE 3.0mm TO 5.0mm
- PLEASE REFER TO THE FOLLOWING NOTES WITH: SRC 0+20ABCDEFGH POWER RECEPTACLE HOUSING ASSEMBLY (BLACK) PART NUMBER 850840020 PER 850840700 PSD

PRE-RELEASE
MAY BE
REFERENCE
USE ONLY

THIS DRAWING CONTAINS INFORMATION THAT IS PROPRIETARY TO MOLEX ELECTRONIC TECHNOLOGIES, LLC AND SHOULD NOT BE USED WITHOUT WRITTEN PERMISSION		CURRENT REV DESC: UPDATED CUT OUT		molex	
DIMENSION UNITS	SCALE	EC NO:			
mm	1:1	DRWN: AJOBRIEN 2018/05/21		SRC MIXED POWER MALE BLADE HOUSING ASSEMBLY	
GENERAL TOLERANCES (UNLESS SPECIFIED)		CHK'D: JFLETCHER 2019/05/07			
ANGULAR TOL	± °	APPR:		PRODUCT CUSTOMER DRAWING	
4 PLACES	±	INITIAL REVISION:			
3 PLACES	±	DRWN: AJOBRIEN 2015/08/07		DOCUMENT NUMBER	
2 PLACES	± 0.2	APPR: JDWALLACE 2015/09/03			
1 PLACE	± 0.5	MATERIAL NUMBER		PSD 000 C	
0 PLACES	±	DRAWING			
DRAFT WHERE APPLICABLE MUST REMAIN WITHIN DIMENSIONS		THIRD ANGLE PROJECTION	SERIES	CUSTOMER	
			A3-SIZE 93792		
				SHEET NUMBER	

DOCUMENT STATUS	RV	RELEASE DATE	
-----------------	----	--------------	--

84+0 (2.5) MAIN HOUSING BLACK

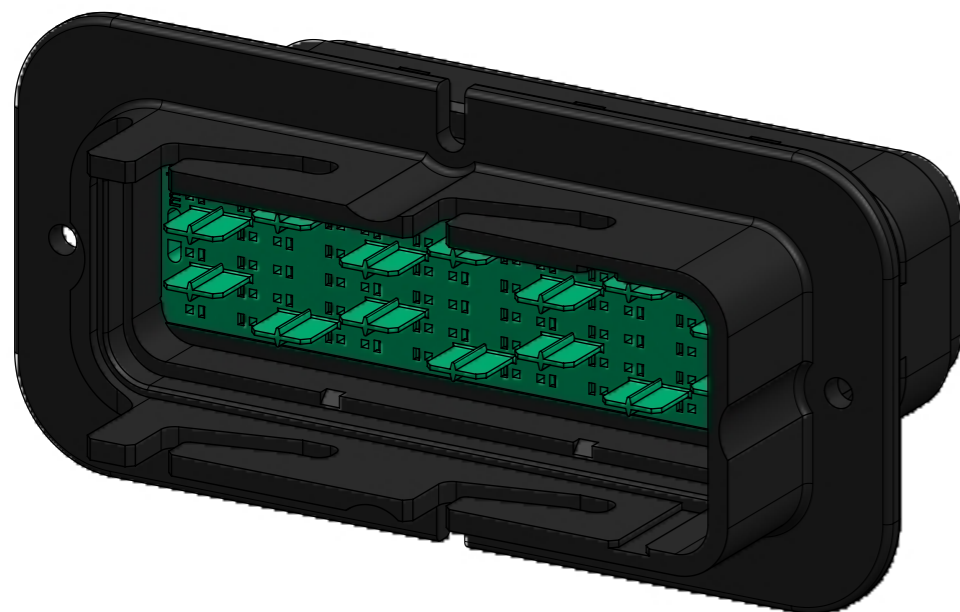


SECTION P-P

ACCEPTABLE CABLE INSULATION Ø RANGES (mm) - NOTES 2 & 3
(COMBINATIONS OF CABLES PER NOTES 2 & 3 ALLOWED IN B & F)

CAVITY SET						
G	F	E	D	C	B	A
1.5 - 2.7	1.5 - 3.0	1.5 - 2.7	1.5 - 2.7	1.5 - 2.7	1.5 - 3.0	1.5 - 2.7

No.	DESCRIPTION	QTY	COLOUR
4	MALE BACK SEAL	1	RUST RED
3	MALE REAR COVER	1	BLACK
2	MALE FRONT COVER	1	GREEN
1	MALE HOUSING	1	BLACK
BILL OF MATERIAL			

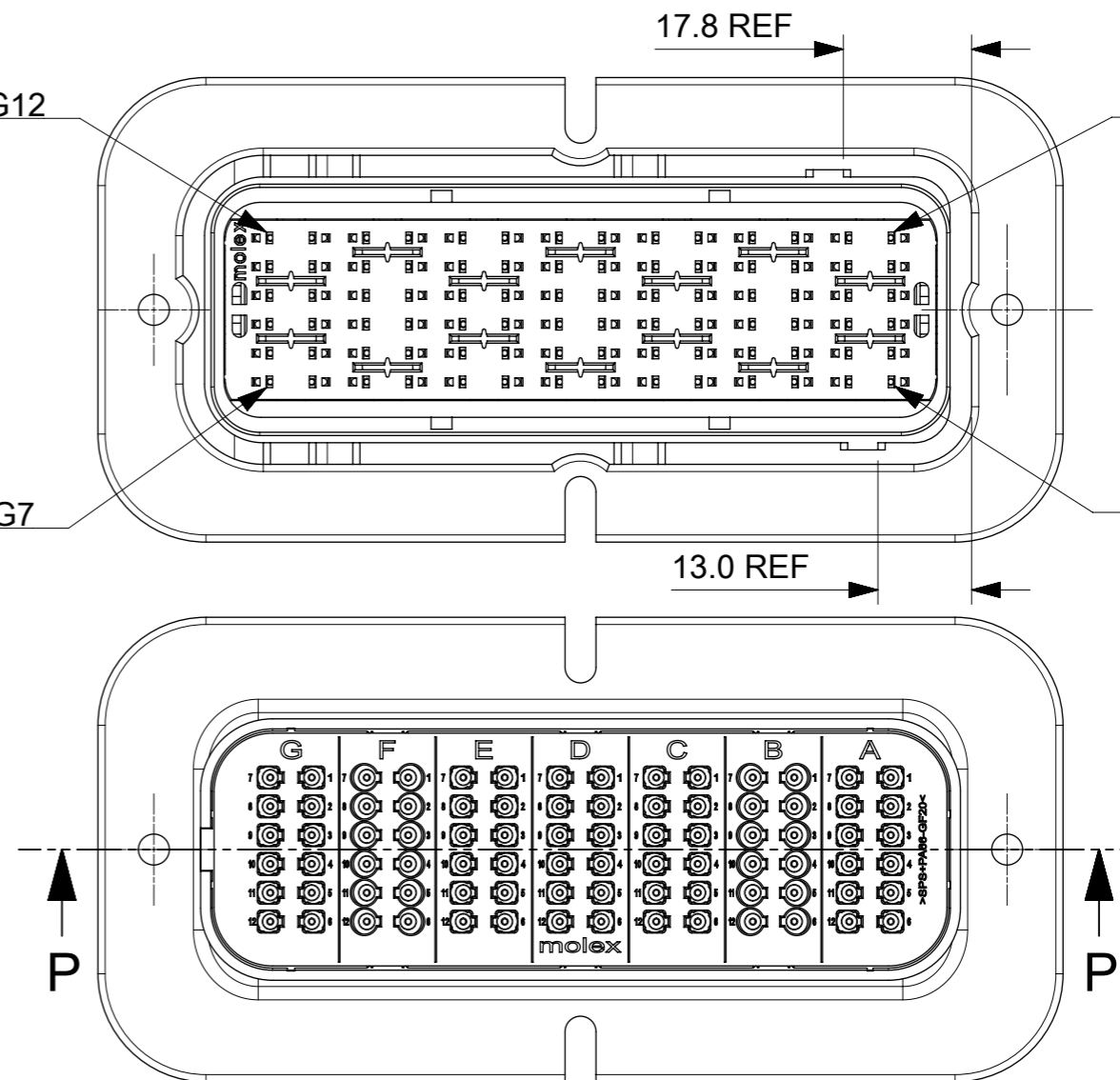


TERMINAL POSITION G12

TERMINAL POSITION A6

TERMINAL POSITION G7

TERMINAL POSITION A1



NOTES:

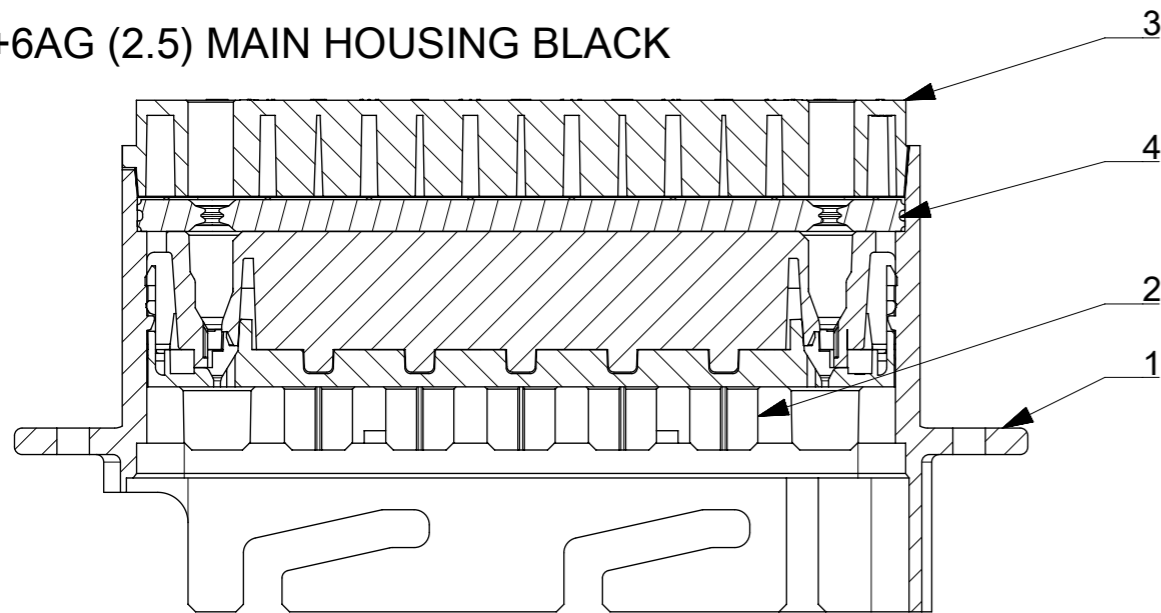
- REFERENCE SHEET ONE FOR UNSPECIFIED NOTES AND DIMENSIONS
 - MX150 BLADE TERMINAL PER SD-33000-001 TO BE USED WITH THIS ASSEMBLY IN ALL CAVITIES, CRIMPED WITH CABLE INSULATION OUTER DIAMETER IN THE RANGE 1.5mm TO 2.7mm
 - SRC BLADE TERMINALS PER 936420010 PSD MAY BE USED WITH THIS ASSEMBLY IN CAVITIES B AND F CRIMPED WITH 2.5mm² (13AWG) CABLE INSULATION OUTER DIAMETER IN THE RANGE 2.7mm TO 3.0mm
- CABLE INSULATION MUST REMAIN WITHIN DIMENSIONS WITH: SRC2 84 PIN 2.5 RECEPTACLE HOUSING ASSEMBLY (BLACK) PART NUMBER 932878425 PER 932870001 PSD

PRE-RELEASE
MAY BE
REFERENCE
USE ONLY

THIS DRAWING CONTAINS INFORMATION THAT IS PROPRIETARY TO MOLEX ELECTRONIC TECHNOLOGIES, LLC AND SHOULD NOT BE USED WITHOUT WRITTEN PERMISSION		CURRENT REV DESC: UPDATED CUT OUT		molex	
DIMENSION UNITS	SCALE	SRC MIXED POWER MALE BLADE HOUSING ASSEMBLY			
mm	1:1	PRODUCT CUSTOMER DRAWING		DOCUMENT NUMBER	
GENERAL TOLERANCES (UNLESS SPECIFIED)		EC NO:		937921000	
ANGULAR TOL ± °		DRWN: AJOBRIEN 2018/05/21		DOC TYPE	
4 PLACES ±		CHK'D: JFLETCHER 2019/05/07		PSD	
3 PLACES ±		APPR:		DOC PART	
2 PLACES ± 0.2		INITIAL REVISION:		000	
1 PLACE ± 0.5		DRWN: AJOBRIEN 2015/08/07		REVISION	
0 PLACES ±		APPR: JDWALLACE 2015/09/03		C	
DRAFT WHERE APPLICABLE MUST REMAIN WITHIN DIMENSIONS		THIRD ANGLE PROJECTION	DRAWING	SERIES	MATERIAL NUMBER
			A3-SIZE	93792	937928425
				CUSTOMER	SHEET NUMBER
				GENERAL MARKET	8 OF 16

DOCUMENT STATUS	RV	RELEASE DATE
-----------------	----	--------------

60+6AG (2.5) MAIN HOUSING BLACK

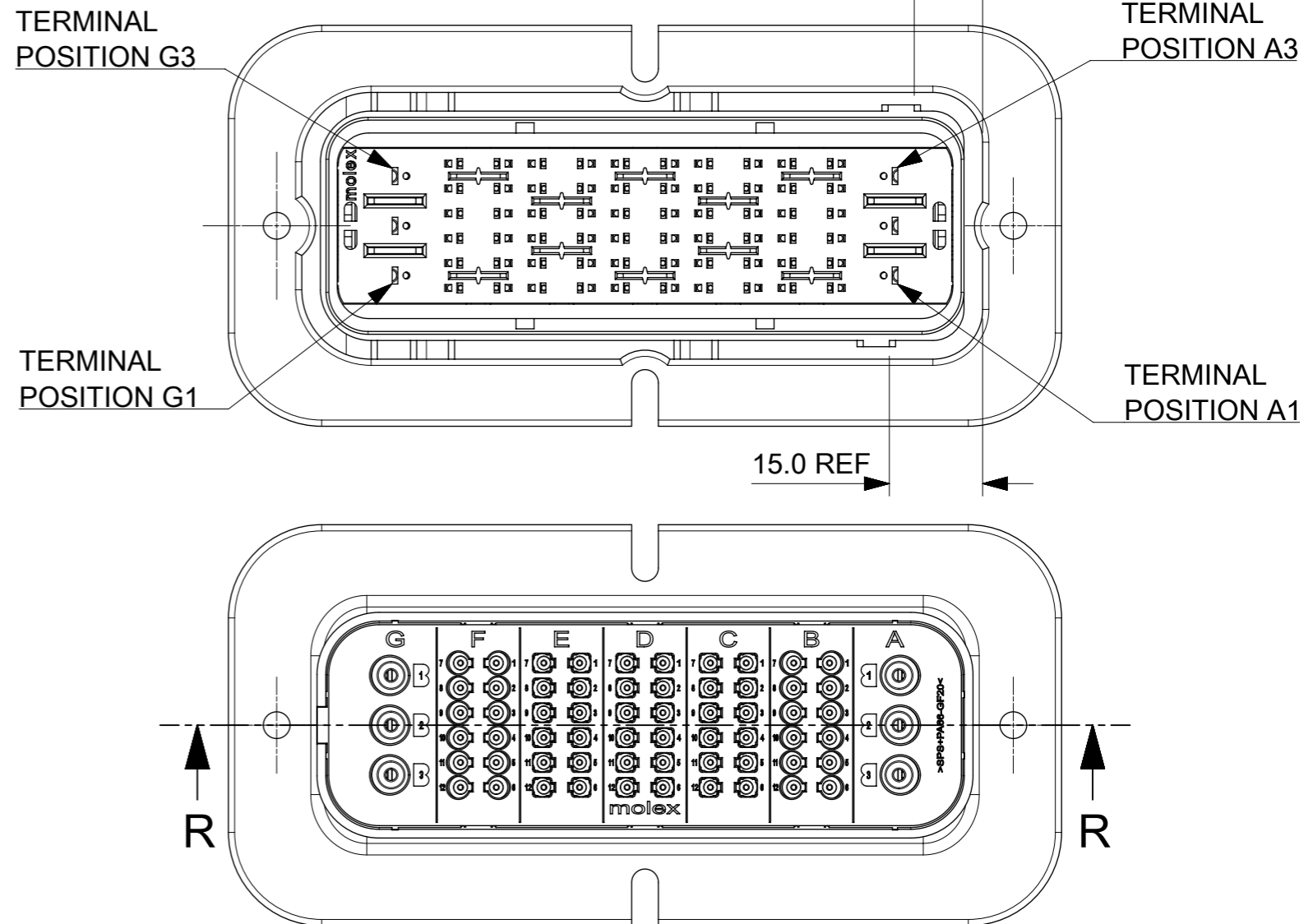
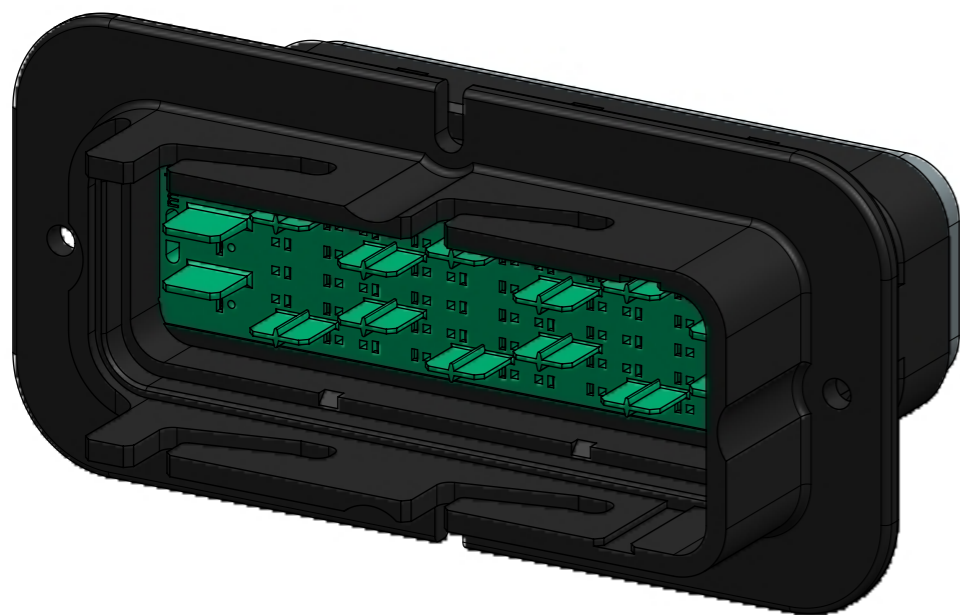


SECTION R-R

ACCEPTABLE CABLE INSULATION Ø RANGES (mm) - NOTES 2, 3 & 4
(COMBINATIONS OF CABLES PER NOTES 2 & 3 ALLOWED IN B & F)

CAVITY SET						
G	F	E	D	C	B	A
3.0 - 5.0	1.5 - 3.0	1.5 - 2.7	1.5 - 2.7	1.5 - 2.7	1.5 - 3.0	3.0 - 5.0

No.	DESCRIPTION	QTY	COLOUR
4	MALE BACK SEAL	1	RUST RED
3	MALE REAR COVER	1	BLACK
2	MALE FRONT COVER	1	GREEN
1	MALE HOUSING	1	BLACK
BILL OF MATERIAL			



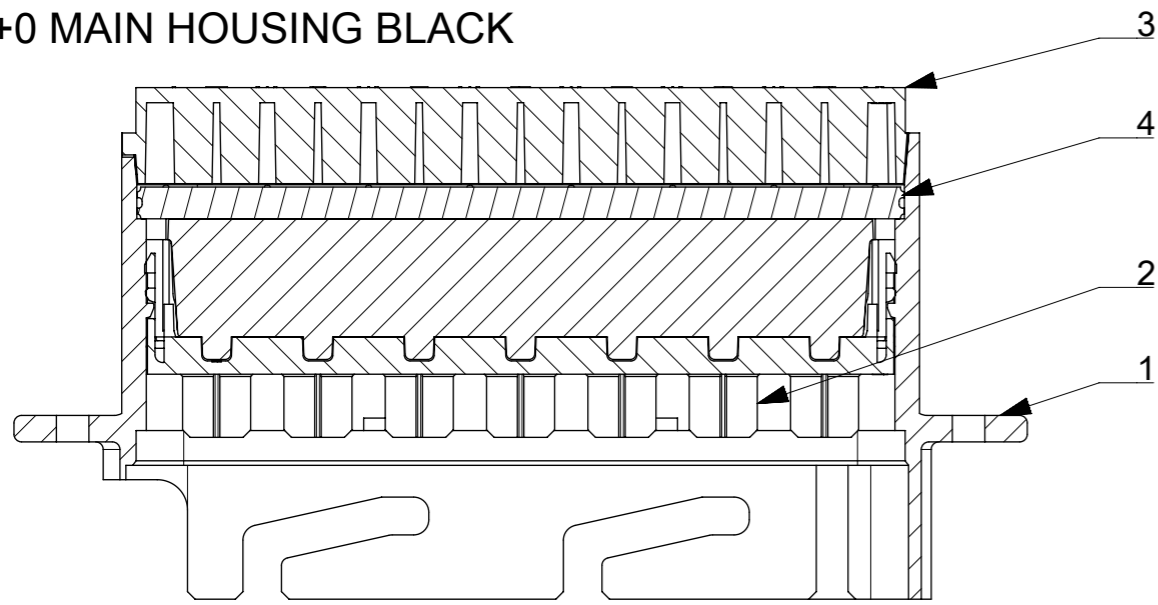
NOTES:

- REFERENCE SHEET 1 FOR UNSPECIFIED NOTES AND DIMENSIONS
- MX150 BLADE TERMINALS PER SD-33000-001 TO BE USED WITH THIS ASSEMBLY IN CAVITIES B, C, D, E AND F, CRIMPED WITH CABLE INSULATION OUTER DIAMETER IN THE RANGE 1.5mm TO 2.7mm
- SRC BLADE TERMINALS PER 936420010 PSD MAY BE USED WITH THIS ASSEMBLY IN CAVITIES B AND F, CRIMPED WITH 2.5mm² (13AWG) CABLE INSULATION OUTER DIAMETER IN THE RANGE 2.7mm TO 3.0mm
- MX150L BLADE TERMINALS PER SD-19431-00* TO BE USED WITH THIS ASSEMBLY IN CAVITIES A AND G, CRIMPED WITH CABLE INSULATION OUTER DIAMETER IN THE RANGE 3.0mm TO 5.0mm
- MATES WITH: SRC 60+6AG POWER 2.5 RECEPTACLE HOUSING ASSEMBLY (BLACK)
PART NUMBER 850846025 PER 850840700 PSD

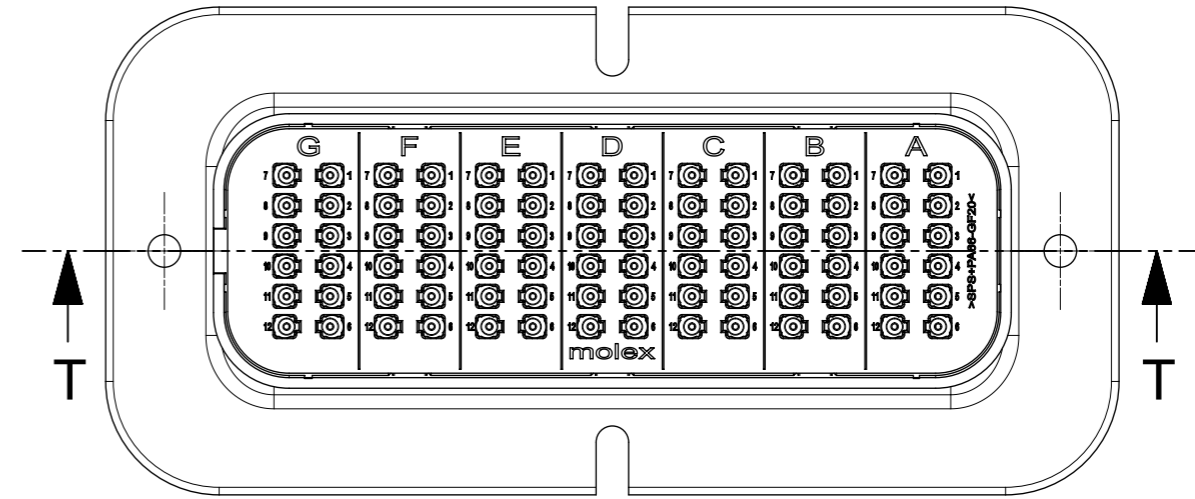
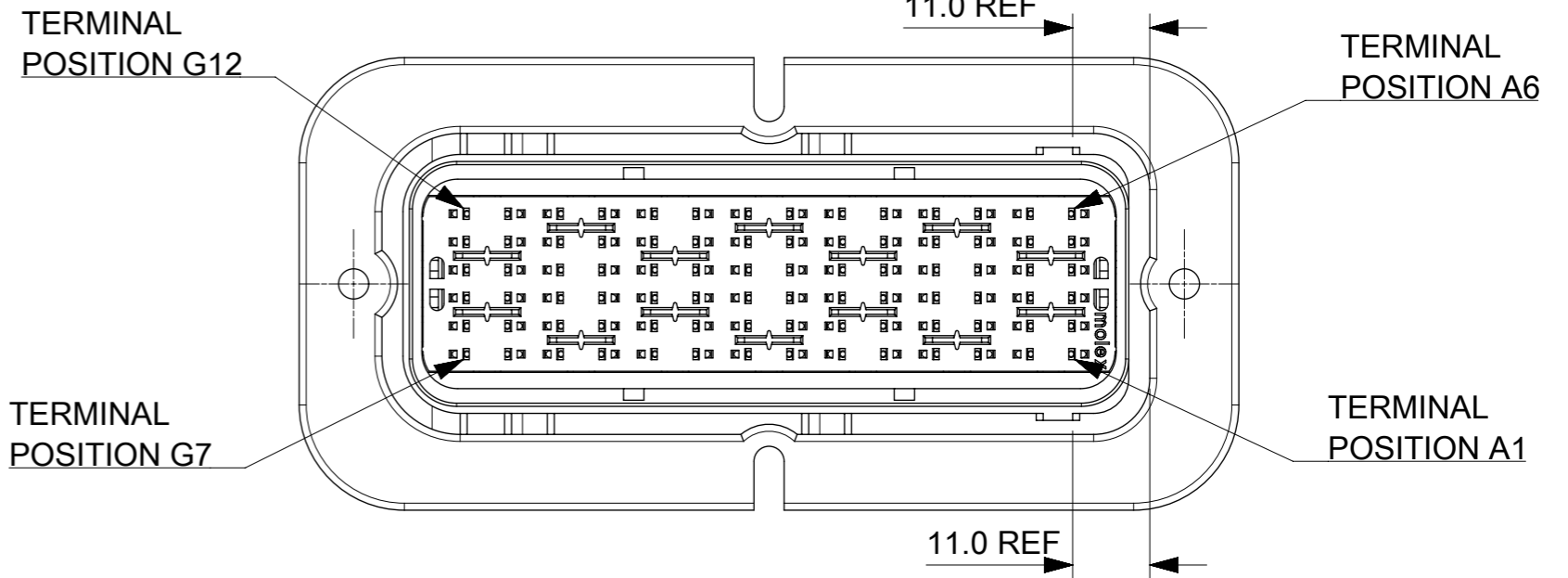
THIS DRAWING CONTAINS INFORMATION THAT IS PROPRIETARY TO MOLEX ELECTRONIC TECHNOLOGIES, LLC AND SHOULD NOT BE USED WITHOUT WRITTEN PERMISSION		CURRENT REV DESC: UPDATED CUT OUT		molex	
DIMENSION UNITS	SCALE	EC NO:			
mm	1:1	DRWN: AJOBRIEN 2018/05/21		SRC MIXED POWER MALE BLADE HOUSING ASSEMBLY	
GENERAL TOLERANCES (UNLESS SPECIFIED)		CHK'D: JFLETCHER 2019/05/07		PRODUCT CUSTOMER DRAWING	
ANGULAR TOL	± °	APPR:		DOCUMENT NUMBER	
4 PLACES	±	INITIAL REVISION:		937921000	
3 PLACES	±	DRWN: AJOBRIEN 2015/08/07		DOC TYPE	DOC PART
2 PLACES	± 0.2	APPR: JDWALLACE 2015/09/03		PSD	000
1 PLACE	± 0.5	MATERIAL NUMBER		REVISION	C
0 PLACES	±	CUSTOMER		9 OF 16	
DRAFT WHERE APPLICABLE MUST REMAIN WITHIN DIMENSIONS		THIRD ANGLE PROJECTION	DRAWING	SERIES	SHEET NUMBER
			A3-SIZE	93792	937926025

DOCUMENT STATUS	RV	RELEASE DATE
-----------------	----	--------------

84+0 MAIN HOUSING BLACK

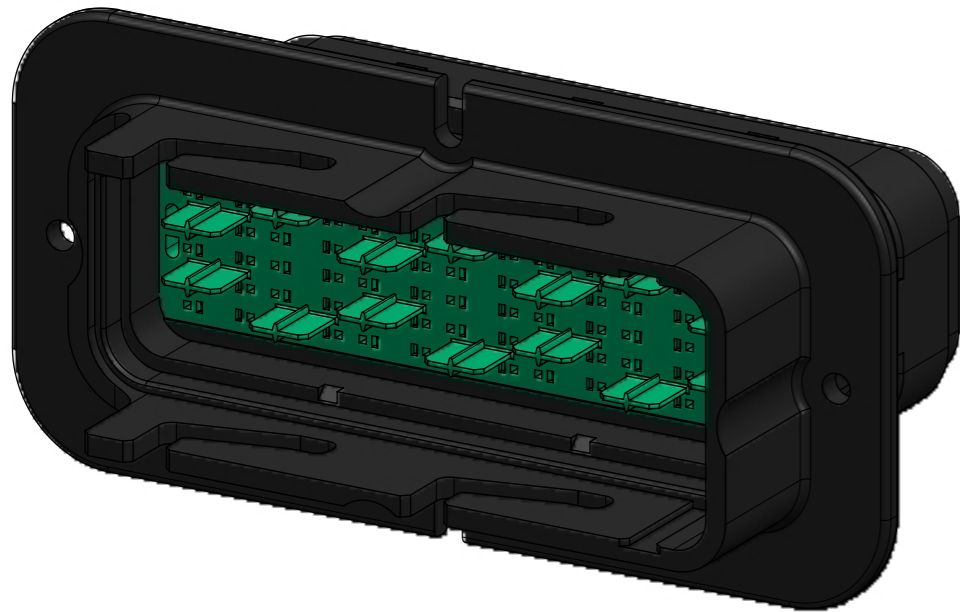


SECTION T-T



ACCEPTABLE CABLE INSULATION Ø RANGES (mm) - NOTE 2						
CAVITY SET						
G	F	E	D	C	B	A
1.5 - 2.7	1.5 - 2.7	1.5 - 2.7	1.5 - 2.7	1.5 - 2.7	1.5 - 2.7	1.5 - 2.7

No.	DESCRIPTION	QTY	COLOUR
4	MALE BACK SEAL	1	RUST RED
3	MALE REAR COVER	1	BLACK
2	MALE FRONT COVER	1	GREEN
1	MALE HOUSING	1	BLACK
BILL OF MATERIAL			

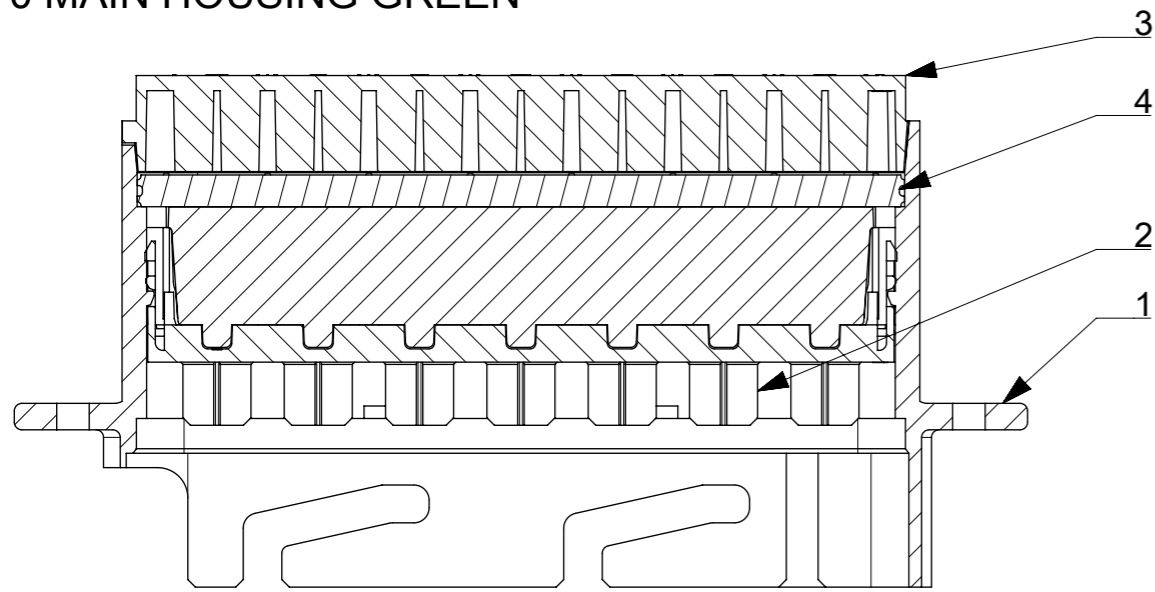


- NOTES:
1. REFERENCE SHEET 1 FOR UNSPECIFIED NOTES AND DIMENSIONS
 2. MX150 BLADE TERMINALS PER SD-33000-001 TO BE USED WITH THIS ASSEMBLY IN ALL CAVITIES CRIMPED WITH CABLE INSULATION OUTER DIAMETER IN THE RANGE 1.5mm TO 2.7mm
 3. MATES WITH SRC2 84 PIN RECEPTACLE HOUSING ASSEMBLY (BLACK) PART NUMBER 932870001 PER 932870001 PSD

PRE-RELEASE
REFERENCE
USE ONLY

THIS DRAWING CONTAINS INFORMATION THAT IS PROPRIETARY TO MOLEX ELECTRONIC TECHNOLOGIES, LLC AND SHOULD NOT BE USED WITHOUT WRITTEN PERMISSION		CURRENT REV DESC: UPDATED CUT OUT		molex		
DIMENSION UNITS	SCALE	EC NO:				
mm	1:1	DRWN: AJOBRIEN 2018/05/21		SRC MIXED POWER MALE BLADE HOUSING ASSEMBLY		
GENERAL TOLERANCES (UNLESS SPECIFIED)		CHK'D: JFLETCHER 2019/05/07		PRODUCT CUSTOMER DRAWING		
ANGULAR TOL	± °	APPR:		DOCUMENT NUMBER		
4 PLACES	±	INITIAL REVISION:		937921000		
3 PLACES	±	DRWN: AJOBRIEN 2015/08/07		DOC TYPE	DOC PART	
2 PLACES	± 0.2	APPR: JDWALLACE 2015/09/03		PSD	000	
1 PLACE	± 0.5	MATERIAL NUMBER		REVISION		
0 PLACES	±	937928400		C		
DRAFT WHERE APPLICABLE MUST REMAIN WITHIN DIMENSIONS		THIRD ANGLE PROJECTION	DRAWING	SERIES	CUSTOMER	SHEET NUMBER
			A3-SIZE	93792	GENERAL MARKET	10 OF 16

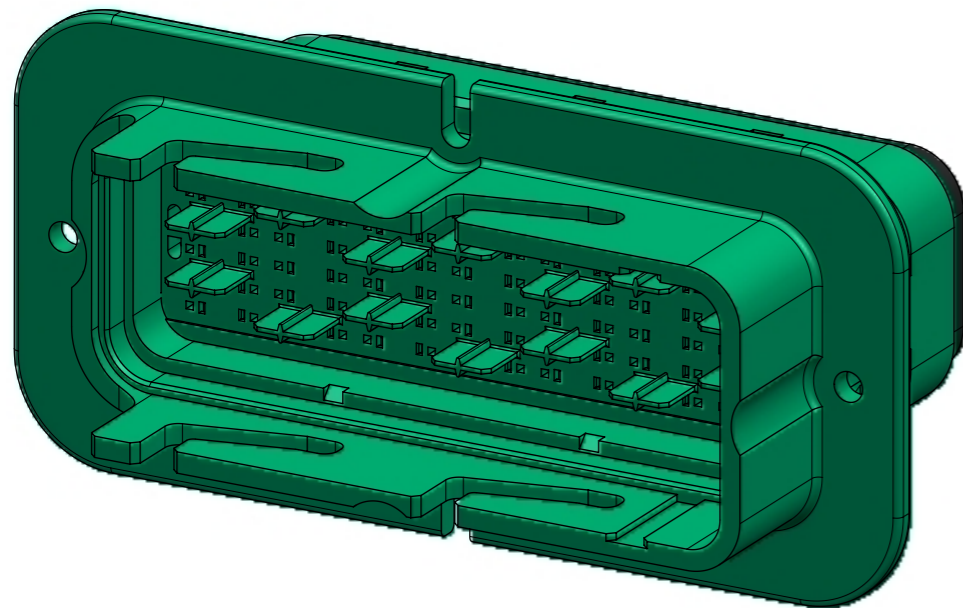
84+0 MAIN HOUSING GREEN



SECTION Y-Y

ACCEPTABLE CABLE INSULATION Ø RANGES (mm) - NOTE 2						
CAVITY SET						
G	F	E	D	C	B	A
1.5 - 2.7	1.5 - 2.7	1.5 - 2.7	1.5 - 2.7	1.5 - 2.7	1.5 - 2.7	1.5 - 2.7

4	MALE BACK SEAL	1	RUST RED
3	MALE REAR COVER	1	BLACK
2	MALE FRONT COVER	1	GREEN
1	MALE HOUSING	1	GREEN
No.	DESCRIPTION	QTY	COLOUR
BILL OF MATERIAL			



TERMINAL POSITION G12

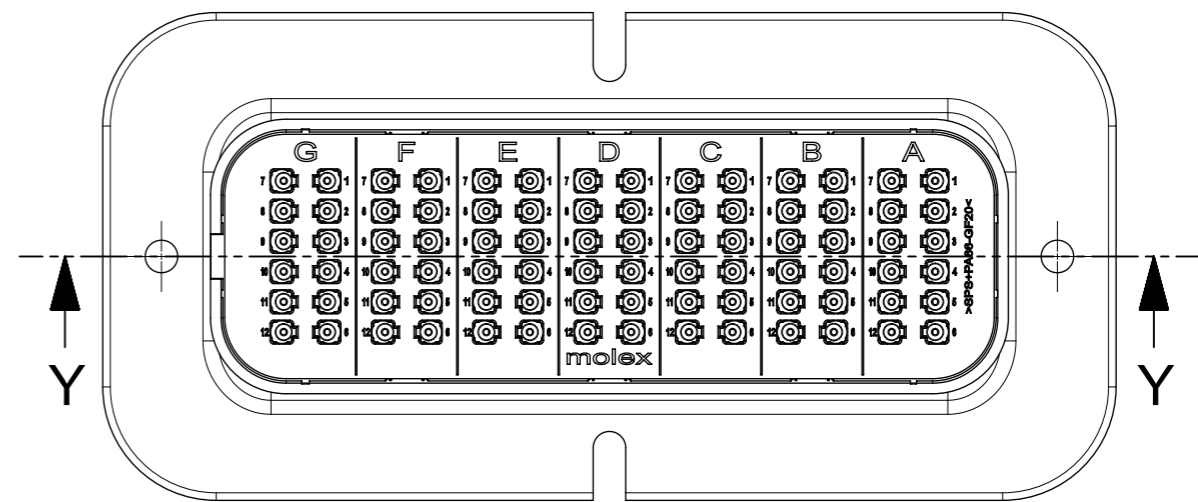
13.0 REF.

TERMINAL POSITION A6

TERMINAL POSITION G7

15.0 REF.

TERMINAL POSITION A1



NOTES:

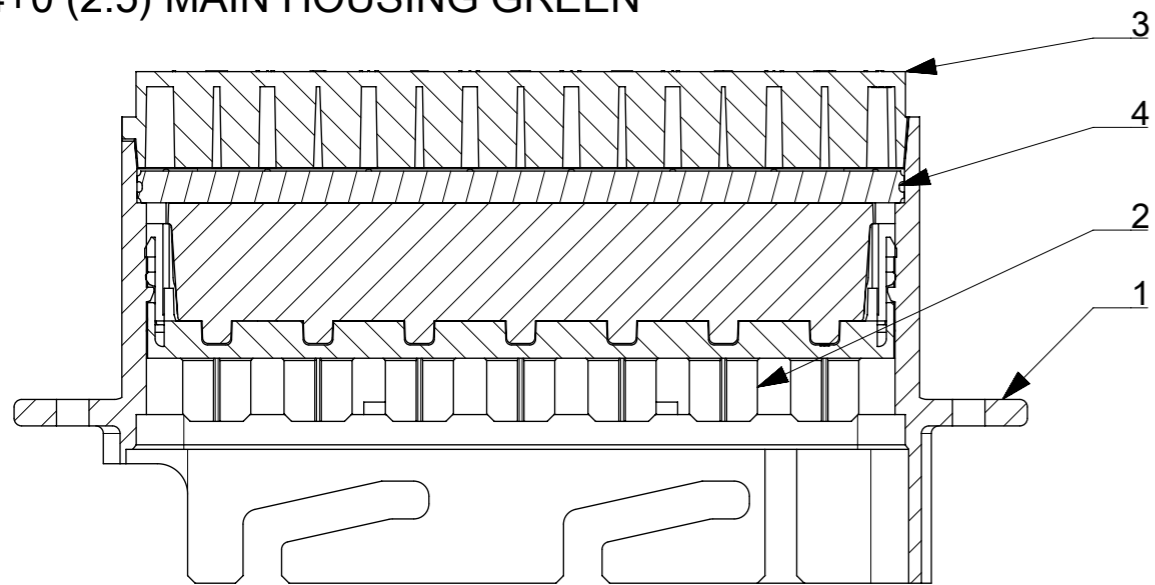
1. REFERENCE SHEET 1 FOR UNSPECIFIED NOTES AND DIMENSIONS
2. MX150 BLADE TERMINALS PER SD-33000-001 TO BE USED WITH THIS ASSEMBLY IN ALL CAVITIES CRIMPED WITH CABLE INSULATION OUTER DIAMETER IN THE RANGE 1.5mm TO 2.7mm MATES WITH SRC2 84 PIN RECEPTACLE HOUSING ASSEMBLY (GREEN) PART NUMBER 938498400 PER 932870001 PSD

PRE-RELEASE
REFERENCE
USE ONLY

THIS DRAWING CONTAINS INFORMATION THAT IS PROPRIETARY TO MOLEX ELECTRONIC TECHNOLOGIES, LLC AND SHOULD NOT BE USED WITHOUT WRITTEN PERMISSION		CURRENT REV DESC: UPDATED CUT OUT		molex	
DIMENSION UNITS	SCALE	EC NO:			
mm	1:1	DRWN: AJOBRIEN 2018/05/21		SRC MIXED POWER MALE BLADE HOUSING ASSEMBLY	
GENERAL TOLERANCES (UNLESS SPECIFIED)		CHK'D: JFLETCHER 2019/05/07			
ANGULAR TOL	± °	APPR:		PRODUCT CUSTOMER DRAWING	
4 PLACES	±	INITIAL REVISION:			
3 PLACES	±	DRWN: AJOBRIEN 2015/08/07		DOCUMENT NUMBER	
2 PLACES	± 0.2	APPR: JDWALLACE 2015/09/03			
1 PLACE	± 0.5	MATERIAL NUMBER		PSD 000 C	
0 PLACES	±	DRAWING			
DRAFT WHERE APPLICABLE MUST REMAIN WITHIN DIMENSIONS		THIRD ANGLE PROJECTION	SERIES	CUSTOMER	
		A3-SIZE	93792		
		SHEET NUMBER		11 OF 16	

DOCUMENT STATUS	RV	RELEASE DATE	
-----------------	----	--------------	--

84+0 (2.5) MAIN HOUSING GREEN



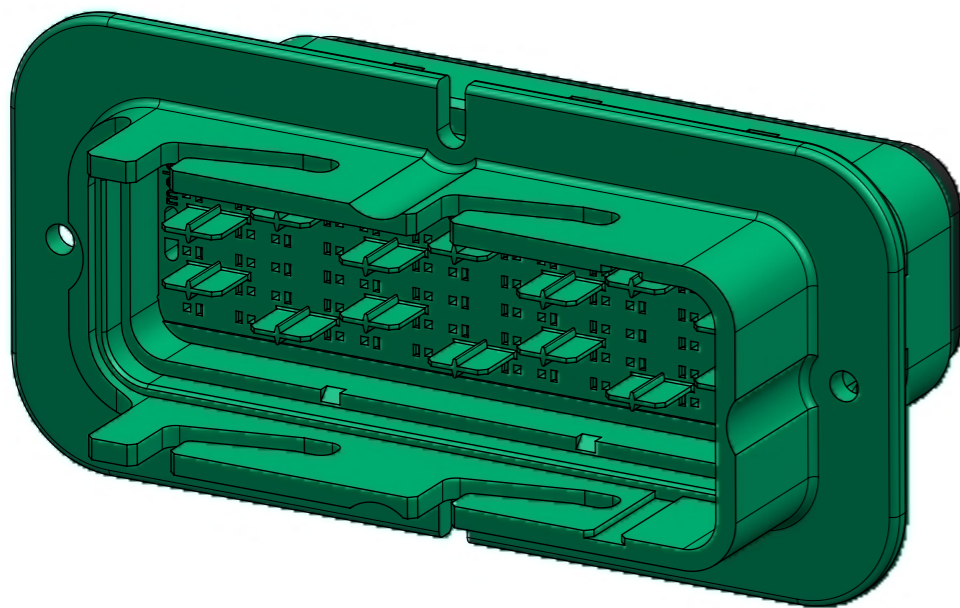
SECTION Z-Z

ACCEPTABLE CABLE INSULATION Ø RANGES (mm) - NOTES 2 & 3
(COMBINATIONS OF CABLES PER NOTES 2 & 3 ALLOWED IN B & F)

CAVITY SET

G	F	E	D	C	B	A
1.5 - 2.7	1.5 - 3.0	1.5 - 2.7	1.5 - 2.7	1.5 - 2.7	1.5 - 3.0	1.5 - 2.7

No.	DESCRIPTION	QTY	COLOUR
4	MALE BACK SEAL	1	RUST RED
3	MALE REAR COVER	1	BLACK
2	MALE FRONT COVER	1	GREEN
1	MALE HOUSING	1	GREEN
BILL OF MATERIAL			



TERMINAL POSITION G12

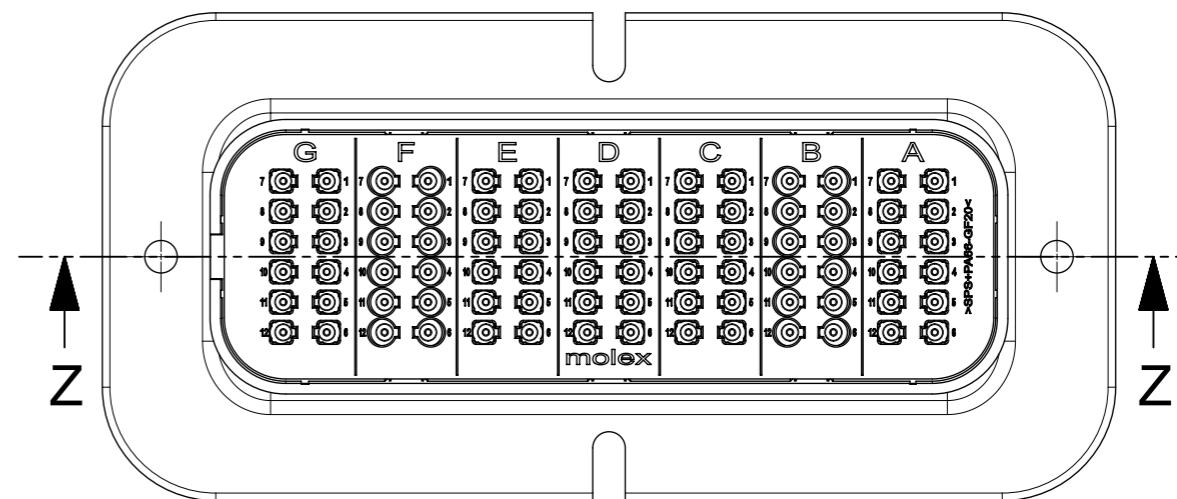
15.0 REF.

TERMINAL POSITION A6

TERMINAL POSITION G7

17.8 REF.

TERMINAL POSITION A1



NOTES:

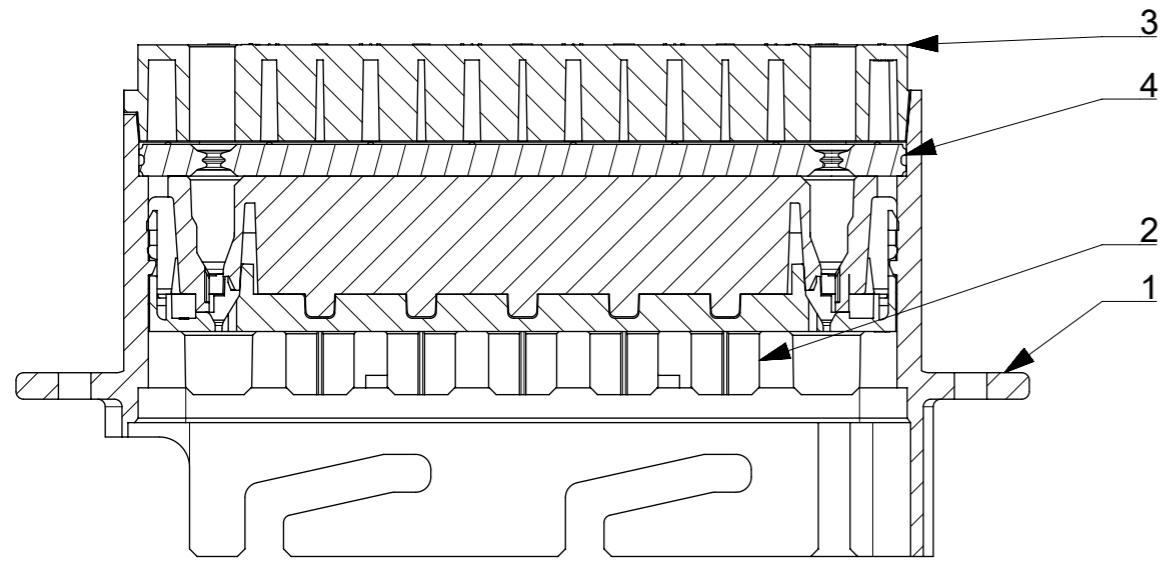
1. REFERENCE SHEET ONE FOR UNSPECIFIED NOTES AND DIMENSIONS
 2. MX150 BLADE TERMINAL PER SD-33000-001 TO BE USED WITH THIS ASSEMBLY IN ALL CAVITIES, CRIMPED WITH CABLE INSULATION OUTER DIAMETER IN THE RANGE 1.5mm TO 2.7mm
 3. SRC BLADE TERMINALS PER 936420010 PSD MAY BE USED WITH THIS ASSEMBLY IN CAVITIES B AND F CRIMPED WITH 2.5mm² (13AWG) CABLE INSULATION OUTER DIAMETER IN THE RANGE 2.7mm TO 3.0mm
- REPLACES WITH: SRC2 84 PIN 2.5 RECEPTACLE HOUSING ASSEMBLY (GREEN)
PART NUMBER 938498425 PER 932870001 PSD

PRE-RELEASE
REFERENCE
USE ONLY

THIS DRAWING CONTAINS INFORMATION THAT IS PROPRIETARY TO MOLEX ELECTRONIC TECHNOLOGIES, LLC AND SHOULD NOT BE USED WITHOUT WRITTEN PERMISSION		CURRENT REV DESC: UPDATED CUT OUT		molex		
DIMENSION UNITS	SCALE	EC NO:				
mm	1:1	DRWN: AJOBRIEN 2018/05/21		SRC MIXED POWER MALE BLADE HOUSING ASSEMBLY		
GENERAL TOLERANCES (UNLESS SPECIFIED)		CHK'D: JFLETCHER 2019/05/07				
ANGULAR TOL ± °		APPR:		PRODUCT CUSTOMER DRAWING		
4 PLACES ±		INITIAL REVISION:				
3 PLACES ±		DRWN: AJOBRIEN 2015/08/07		DOCUMENT NUMBER		
2 PLACES ± 0.2		APPR: JDWALLACE 2015/09/03				937921000
1 PLACE ± 0.5				DOC TYPE		
0 PLACES ±				PSD		
DRAFT WHERE APPLICABLE MUST REMAIN WITHIN DIMENSIONS		THIRD ANGLE PROJECTION	DRAWING	SERIES	MATERIAL NUMBER	CUSTOMER
			A3-SIZE	93792	938508425	GENERAL MARKET
					DOC PART	REVISION
					000	C
					SHEET NUMBER	
					12 OF 16	

DOCUMENT STATUS	RV	RELEASE DATE
-----------------	----	--------------

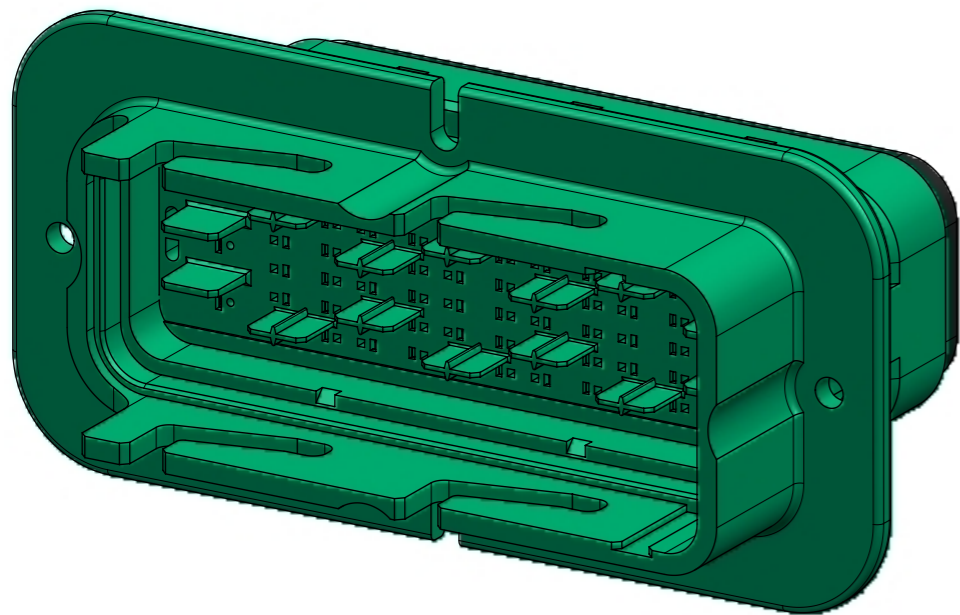
60+6AG MAIN HOUSING GREEN



SECTION V-V

ACCEPTABLE CABLE INSULATION Ø RANGES (mm) - NOTES 2 & 3						
CAVITY SET						
G	F	E	D	C	B	A
3.0 - 5.0	1.5 - 2.7	1.5 - 2.7	1.5 - 2.7	1.5 - 2.7	1.5 - 2.7	3.0 - 5.0

4	MALE BACK SEAL	1	RUST RED
3	MALE REAR COVER	1	BLACK
2	MALE FRONT COVER	1	GREEN
1	MALE HOUSING	1	GREEN
No.	DESCRIPTION	QTY	COLOUR
BILL OF MATERIAL			



TERMINAL POSITION G3

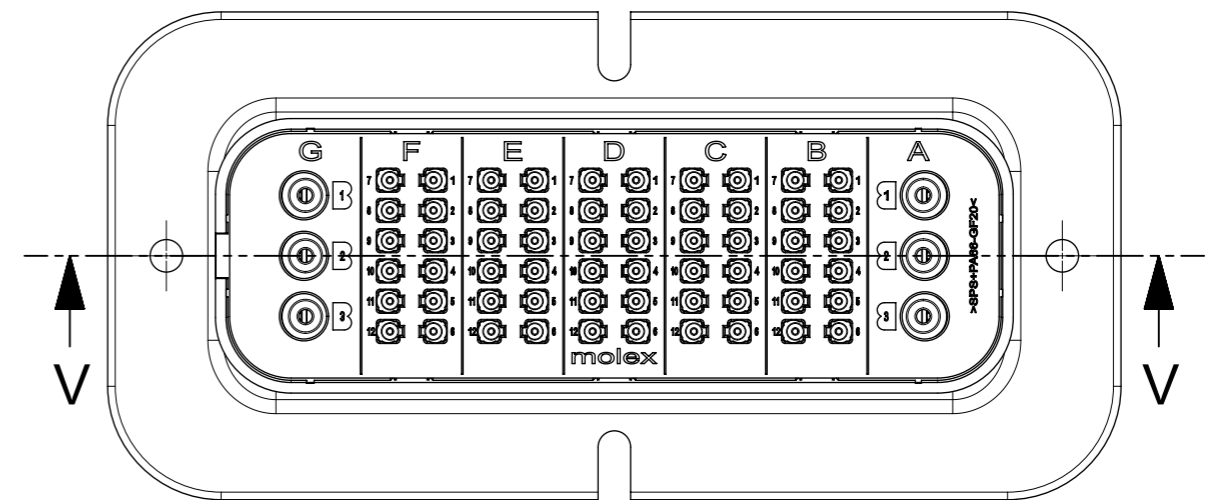
15.0 REF.

TERMINAL POSITION A3

TERMINAL POSITION G1

11.0 REF.

TERMINAL POSITION A1



NOTES:

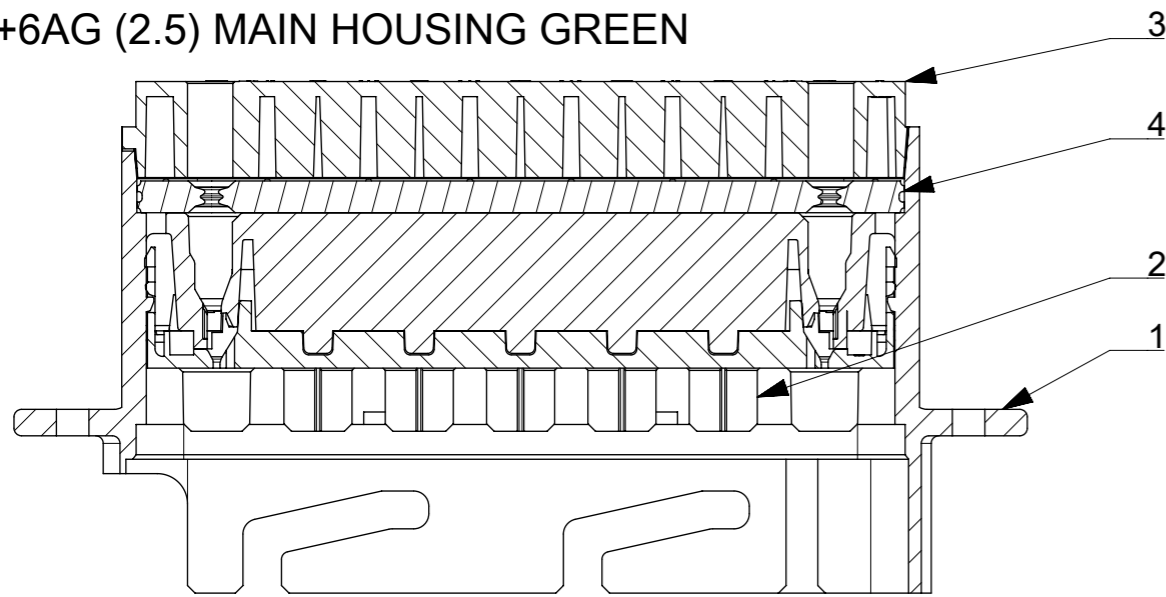
1. REFERENCE SHEET 1 FOR UNSPECIFIED NOTES AND DIMENSIONS
 2. MX150 BLADE TERMINALS PER SD-33000-001 TO BE USED WITH THIS ASSEMBLY IN CAVITIES B, C, D, E AND F, CRIMPED WITH CABLE INSULATION OUTER DIAMETER IN THE RANGE 1.5mm TO 2.7mm
 3. MX150L BLADE TERMINALS PER SD-19431-00* TO BE USED WITH THIS ASSEMBLY IN CAVITIES A AND G, CRIMPED WITH CABLE INSULATION OUTER DIAMETER IN THE RANGE 3.0mm TO 5.0mm
- ALL PARTS WITH: SRC 60+6AG POWER RECEPTACLE HOUSING ASSEMBLY (GREEN)
PART NUMBER 938496006 PER 850840700 PSD

THIS DRAWING CONTAINS INFORMATION THAT IS PROPRIETARY TO MOLEX ELECTRONIC TECHNOLOGIES, LLC AND SHOULD NOT BE USED WITHOUT WRITTEN PERMISSION		CURRENT REV DESC: UPDATED CUT OUT		molex	
DIMENSION UNITS	SCALE	EC NO:			
mm	1:1	DRWN: AJOBRIEN 2018/05/21		SRC MIXED POWER MALE BLADE HOUSING ASSEMBLY	
GENERAL TOLERANCES (UNLESS SPECIFIED)		CHK'D: JFLETCHER 2019/05/07			
ANGULAR TOL	± °	APPR:		PRODUCT CUSTOMER DRAWING	
4 PLACES	±	INITIAL REVISION:		DOCUMENT NUMBER	DOC TYPE
3 PLACES	±	DRWN: AJOBRIEN 2015/08/07		937921000	PSD
2 PLACES	± 0.2	APPR: JDWALLACE 2015/09/03		DOC PART	REVISION
1 PLACE	± 0.5			000	C
0 PLACES	±			MATERIAL NUMBER	CUSTOMER
DRAFT WHERE APPLICABLE MUST REMAIN WITHIN DIMENSIONS		THIRD ANGLE PROJECTION	DRAWING	SERIES	SHEET NUMBER
			A3-SIZE	93792	13 OF 16
				938506006	GENERAL MARKET

DOCUMENT STATUS	RV	RELEASE DATE
-----------------	----	--------------

10	9	8	7	6	5	4	3	2	1
----	---	---	---	---	---	---	---	---	---

60+6AG (2.5) MAIN HOUSING GREEN

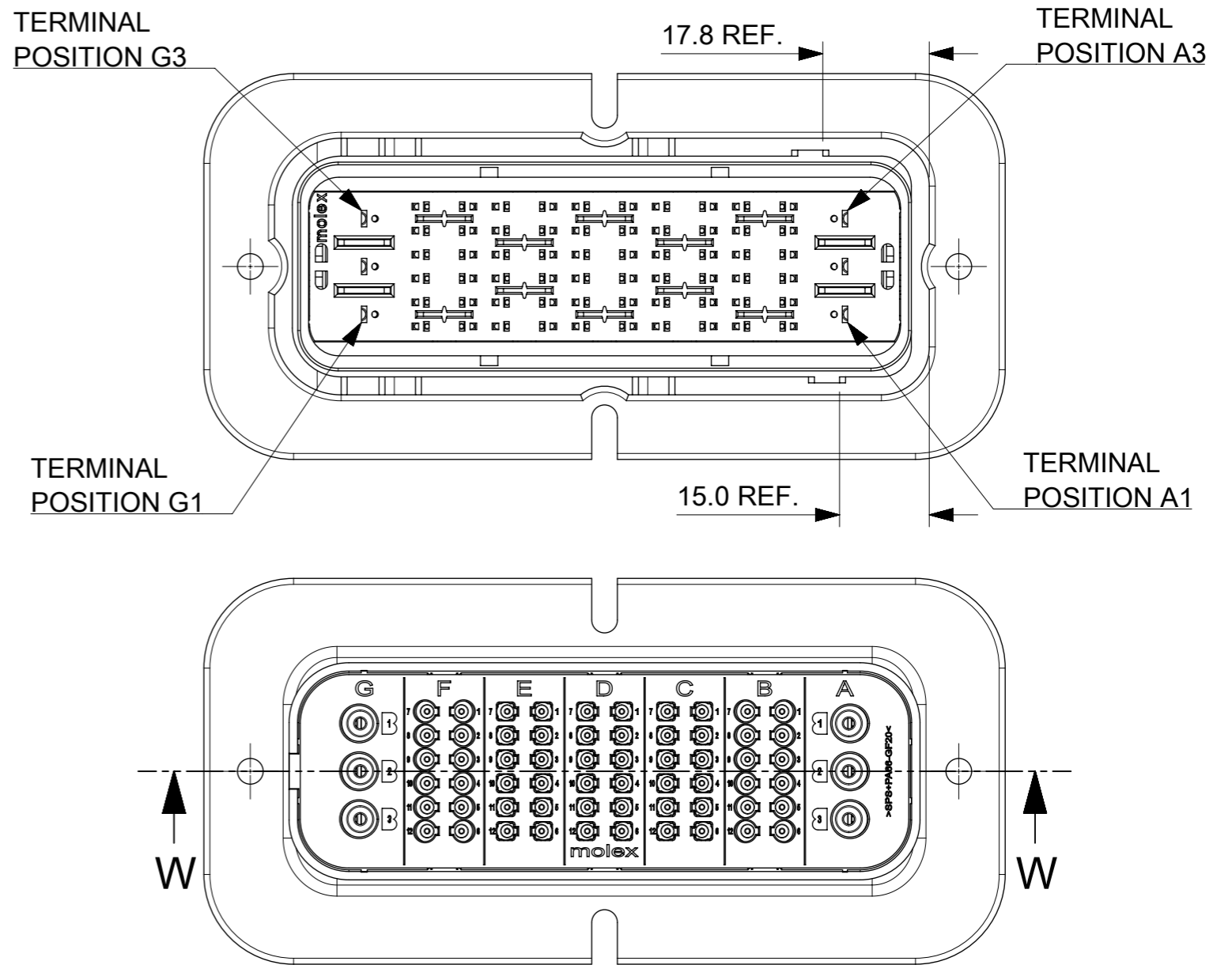
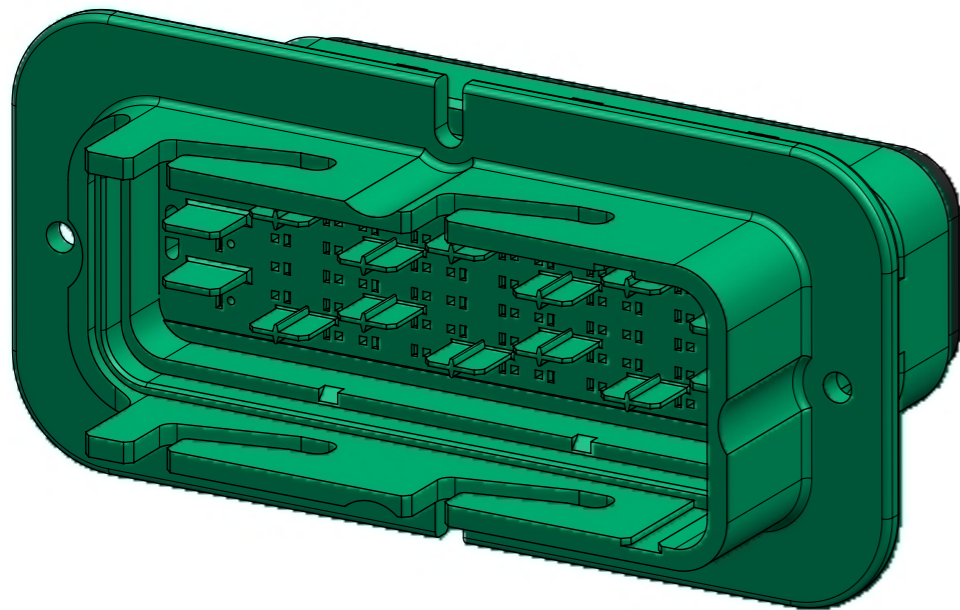


SECTION W-W

ACCEPTABLE CABLE INSULATION Ø RANGES (mm) - NOTES 2, 3 & 4
(COMBINATIONS OF CABLES PER NOTES 2 & 3 ALLOWED IN B & F)

CAVITY SET						
G	F	E	D	C	B	A
3.0 - 5.0	1.5 - 3.0	1.5 - 2.7	1.5 - 2.7	1.5 - 2.7	1.5 - 3.0	3.0 - 5.0

No.	DESCRIPTION	QTY	COLOUR
4	MALE BACK SEAL	1	RUST RED
3	MALE REAR COVER	1	BLACK
2	MALE FRONT COVER	1	GREEN
1	MALE HOUSING	1	GREEN
BILL OF MATERIAL			



NOTES:

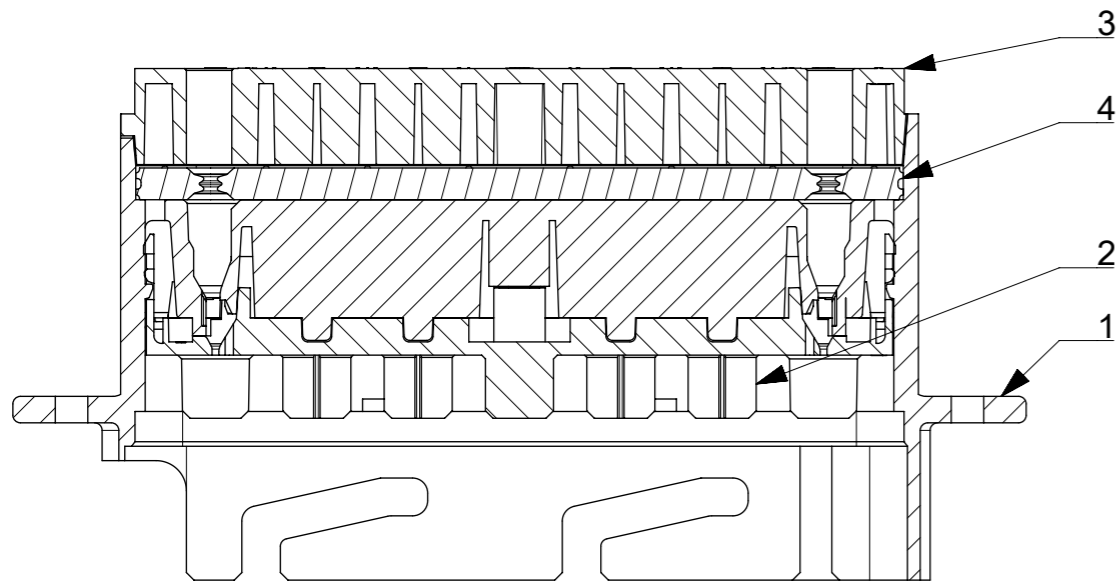
- REFERENCE SHEET 1 FOR UNSPECIFIED NOTES AND DIMENSIONS
- MX150 BLADE TERMINALS PER SD-33000-001 TO BE USED WITH THIS ASSEMBLY IN CAVITIES B, C, D, E AND F, CRIMPED WITH CABLE INSULATION OUTER DIAMETER IN THE RANGE 1.5mm TO 2.7mm
- SRC BLADE TERMINALS PER 936420010 PSD MAY BE USED WITH THIS ASSEMBLY IN CAVITIES B AND F, CRIMPED WITH 2.5mm² (13AWG) CABLE INSULATION OUTER DIAMETER IN THE RANGE 2.7mm TO 3.0mm
- MX150L BLADE TERMINALS PER SD-19431-00* TO BE USED WITH THIS ASSEMBLY IN CAVITIES A AND G, CRIMPED WITH CABLE INSULATION OUTER DIAMETER IN THE RANGE 3.0mm TO 5.0mm
- MATES WITH: SRC 60+6AG POWER 2.5 RECEPTACLE HOUSING ASSEMBLY (GREEN)
PART NUMBER 938496025 PER 850840700 PSD

PRE-RELEASE
REFERENCE
USE ONLY

THIS DRAWING CONTAINS INFORMATION THAT IS PROPRIETARY TO MOLEX ELECTRONIC TECHNOLOGIES, LLC AND SHOULD NOT BE USED WITHOUT WRITTEN PERMISSION		CURRENT REV DESC: UPDATED CUT OUT		molex	
DIMENSION UNITS mm	SCALE 1:1	EC NO: DRWN: AJOBRIEN 2018/05/21 CHK'D: JFLETCHER 2019/05/07 APPR:		SRC MIXED POWER MALE BLADE HOUSING ASSEMBLY	
GENERAL TOLERANCES (UNLESS SPECIFIED)		INITIAL REVISION: DRWN: AJOBRIEN 2015/08/07 APPR: JDWALLACE 2015/09/03		PRODUCT CUSTOMER DRAWING	
ANGULAR TOL ± °	4 PLACES ±	DOCUMENT NUMBER 937921000		DOC TYPE PSD	DOC PART 000
3 PLACES ±	2 PLACES ± 0.2	MATERIAL NUMBER 938506025		CUSTOMER GENERAL MARKET	REVISION C
1 PLACE ± 0.5	0 PLACES ±	DRAFT WHERE APPLICABLE MUST REMAIN WITHIN DIMENSIONS	THIRD ANGLE PROJECTION 	DRAWING A3-SIZE	SHEET NUMBER 14 OF 16

DOCUMENT STATUS	RV	RELEASE DATE
-----------------	----	--------------

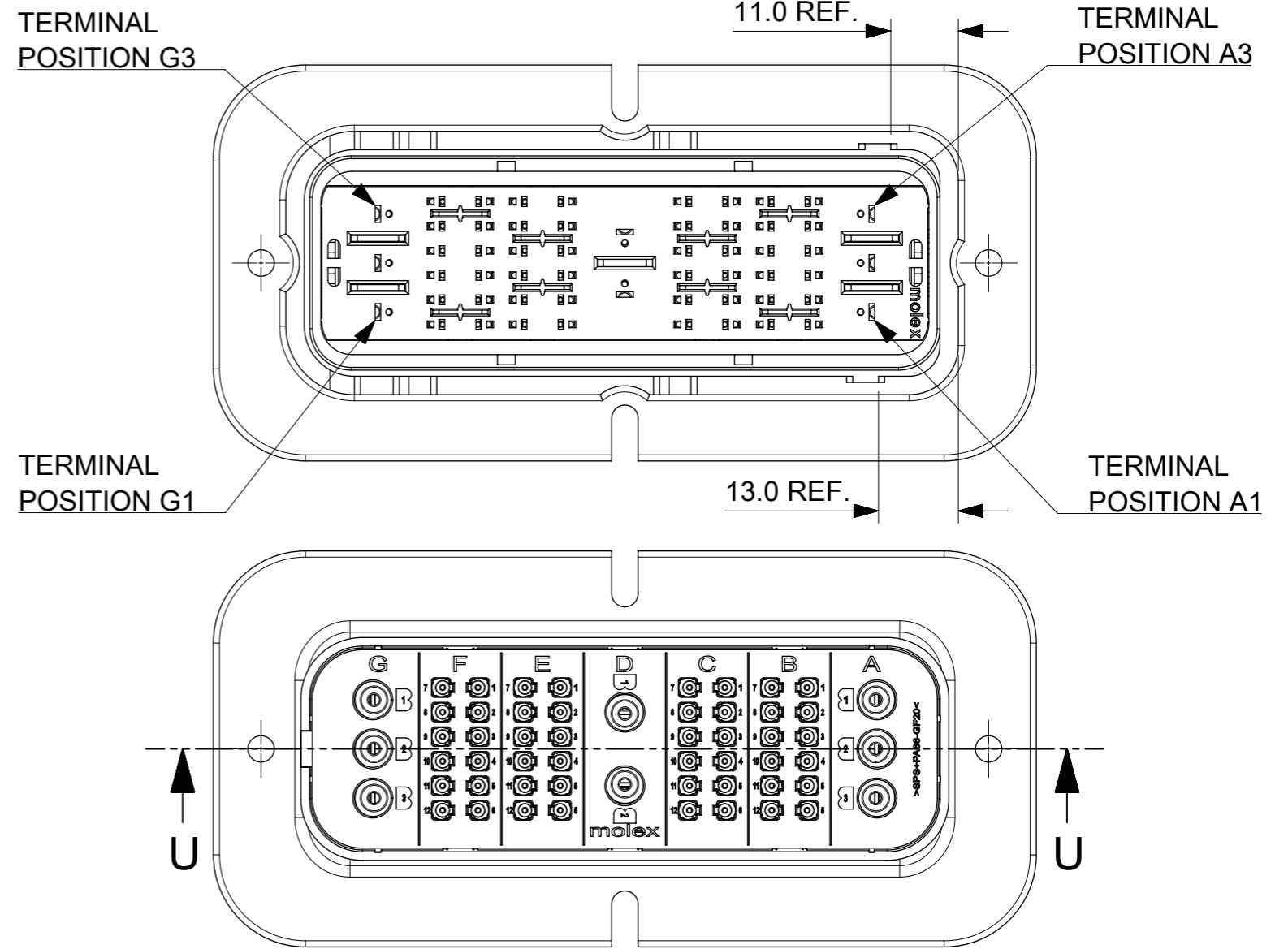
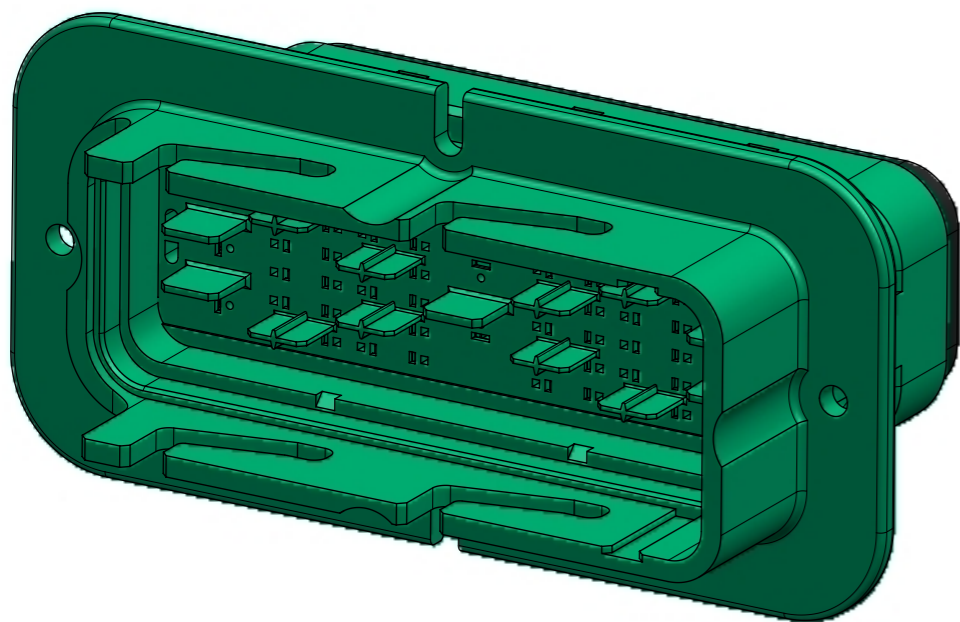
48+8ADG MAIN HOUSING GREEN



SECTION U-U

ACCEPTABLE CABLE INSULATION Ø RANGES (mm) - NOTES 2 & 3						
CAVITY SET						
G	F	E	D	C	B	A
3.0 - 5.0	1.5 - 2.7	1.5 - 2.7	3.0 - 5.0	1.5 - 2.7	1.5 - 2.7	3.0 - 5.0

4	MALE BACK SEAL	1	RUST RED
3	MALE REAR COVER	1	BLACK
2	MALE FRONT COVER	1	GREEN
1	MALE HOUSING	1	GREEN
No.	DESCRIPTION	QTY	COLOUR
BILL OF MATERIAL			



NOTES:

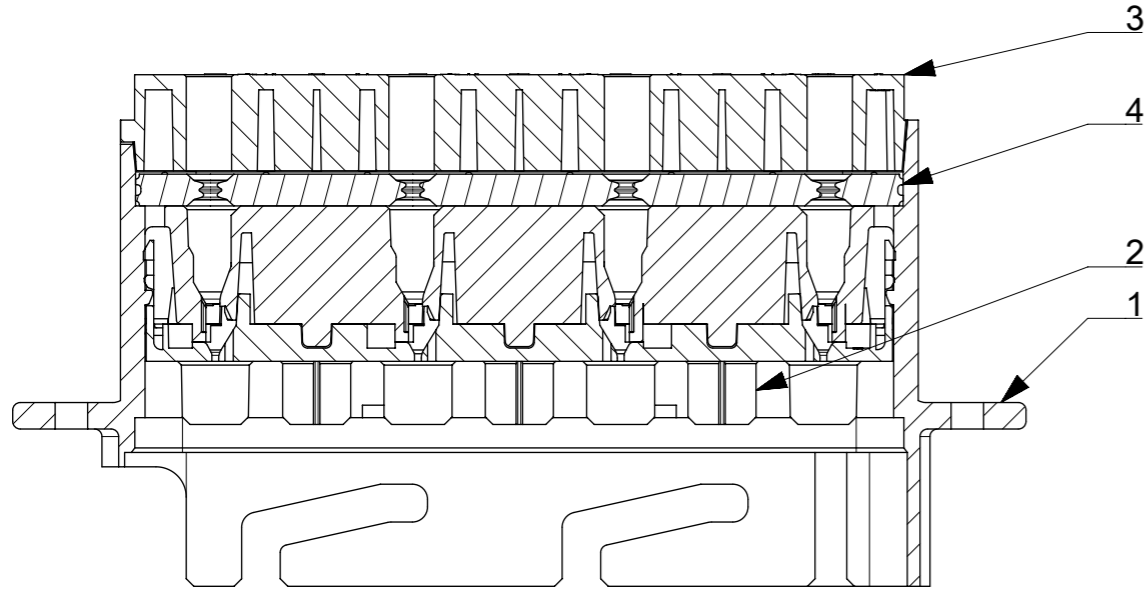
1. REFERENCE SHEET 1 FOR UNSPECIFIED NOTES AND DIMENSIONS
 2. MX150 BLADE TERMINALS PER SD-33000-001 TO BE USED WITH THIS ASSEMBLY IN CAVITIES B, C, E AND F, CRIMPED WITH CABLE INSULATION OUTER DIAMETER IN THE RANGE 1.5mm TO 2.7mm
 3. MX150L BLADE TERMINALS PER SD-19431-00* TO BE USED WITH THIS ASSEMBLY IN CAVITIES A, D AND G, CRIMPED WITH CABLE INSULATION OUTER DIAMETER IN THE RANGE 3.0mm TO 5.0mm
- COMPATIBLE WITH: SRC 48+8ADG POWER RECEPTACLE HOUSING ASSEMBLY (GREEN) PART NUMBER 938494808 PER 850840700 PSD

PRE-RELEASE
REFERENCE ONLY
USE ONLY

THIS DRAWING CONTAINS INFORMATION THAT IS PROPRIETARY TO MOLEX ELECTRONIC TECHNOLOGIES, LLC AND SHOULD NOT BE USED WITHOUT WRITTEN PERMISSION		CURRENT REV DESC: UPDATED CUT OUT		molex	
DIMENSION UNITS	SCALE			SRC MIXED POWER MALE BLADE HOUSING ASSEMBLY	
mm	1:1				
GENERAL TOLERANCES (UNLESS SPECIFIED)		EC NO:		PRODUCT CUSTOMER DRAWING	
ANGULAR TOL ± °		DRWN: AJOBRIEN 2018/05/21			
4 PLACES ±		CHK'D: JFLETCHER 2019/05/07		DOCUMENT NUMBER: 937921000 DOC TYPE: PSD DOC PART: 000 REVISION: C	
3 PLACES ±		APPR:			
2 PLACES ± 0.2		INITIAL REVISION:		MATERIAL NUMBER: 938504808 CUSTOMER: GENERAL MARKET SHEET NUMBER: 15 OF 16	
1 PLACE ± 0.5		DRWN: AJOBRIEN 2015/08/07			
0 PLACES ±		APPR: JDWALLACE 2015/09/03			
DRAFT WHERE APPLICABLE MUST REMAIN WITHIN DIMENSIONS		THIRD ANGLE PROJECTION	DRAWING	SERIES	
		⊕	A3-SIZE	93792	

DOCUMENT STATUS	RV	RELEASE DATE	
-----------------	----	--------------	--

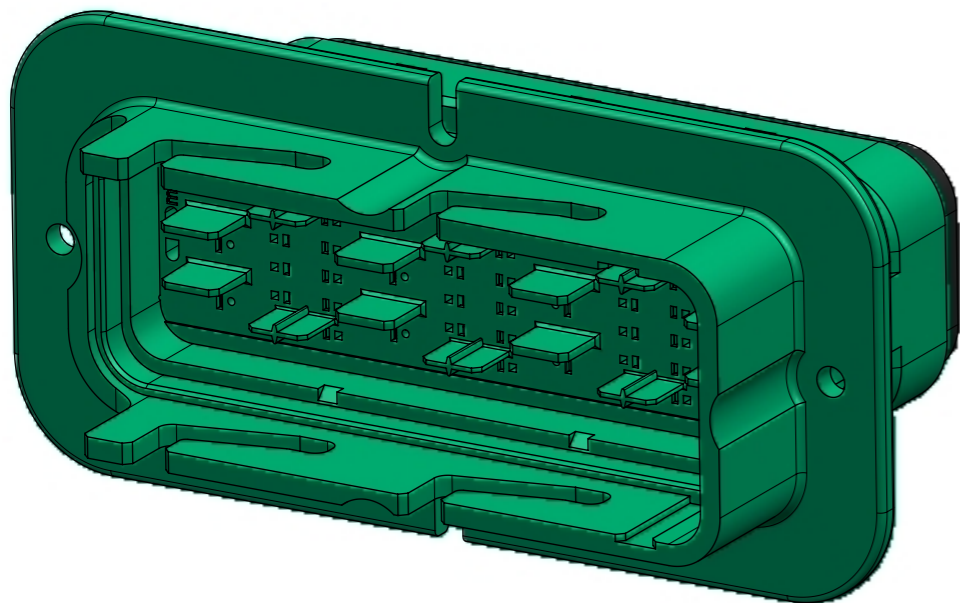
36+12ACEG MAIN HOUSING GREEN



SECTION X-X

ACCEPTABLE CABLE INSULATION Ø RANGES (mm) - NOTES 2 & 3						
CAVITY SET						
G	F	E	D	C	B	A
3.0 - 5.0	1.5 - 2.7	3.0 - 5.0	1.5 - 2.7	3.0 - 5.0	1.5 - 2.7	3.0 - 5.0

4	MALE BACK SEAL	1	RUST RED
3	MALE REAR COVER	1	BLACK
2	MALE FRONT COVER	1	GREEN
1	MALE HOUSING	1	GREEN
No.	DESCRIPTION	QTY	COLOUR
BILL OF MATERIAL			



TERMINAL POSITION G3

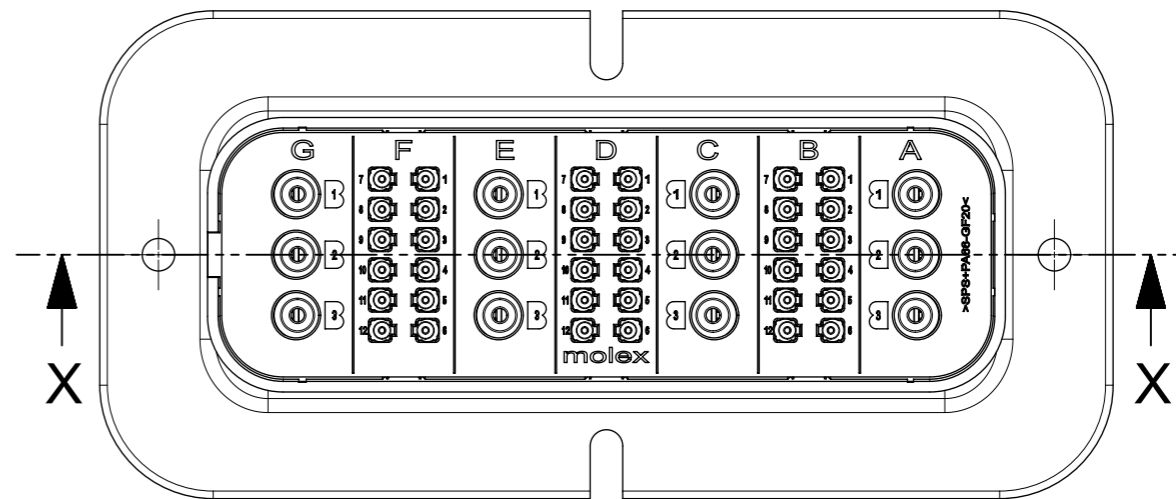
13.0 REF.

TERMINAL POSITION A3

TERMINAL POSITION G1

11.0 REF.

TERMINAL POSITION A1



NOTES:

1. REFERENCE SHEET 1 FOR UNSPECIFIED NOTES AND DIMENSIONS
 2. MX150 BLADE TERMINALS PER SD-33000-001 TO BE USED WITH THIS ASSEMBLY IN CAVITIES B, D AND F, CRIMPED WITH CABLE INSULATION OUTER DIAMETER IN THE RANGE 1.5mm TO 2.7mm
 3. MX150L BLADE TERMINALS PER SD-19431-00* TO BE USED WITH THIS ASSEMBLY IN CAVITIES A, C, E AND G, CRIMPED WITH CABLE INSULATION OUTER DIAMETER IN THE RANGE 3.0mm TO 5.0mm
- TERMINALS MATES WITH: SRC 36+12ACEG POWER RECEPTACLE HOUSING ASSEMBLY (GREEN) PART NUMBER 938493612 PER 850840700 PSD

PRE-RELEASE
REFERENCE
USE ONLY

THIS DRAWING CONTAINS INFORMATION THAT IS PROPRIETARY TO MOLEX ELECTRONIC TECHNOLOGIES, LLC AND SHOULD NOT BE USED WITHOUT WRITTEN PERMISSION		CURRENT REV DESC: UPDATED CUT OUT		molex		
DIMENSION UNITS	SCALE	EC NO:				
mm	1:1	DRWN: AJOBRIEN 2018/05/21		SRC MIXED POWER MALE BLADE HOUSING ASSEMBLY		
GENERAL TOLERANCES (UNLESS SPECIFIED)		CHK'D: JFLETCHER 2019/05/07				
ANGULAR TOL ± °		APPR:		PRODUCT CUSTOMER DRAWING		
4 PLACES ±		INITIAL REVISION:				
3 PLACES ±		DRWN: AJOBRIEN 2015/08/07		DOCUMENT NUMBER		
2 PLACES ± 0.2		APPR: JDWALLACE 2015/09/03				937921000
1 PLACE ± 0.5				DOC TYPE		
0 PLACES ±				PSD		
DRAFT WHERE APPLICABLE MUST REMAIN WITHIN DIMENSIONS		THIRD ANGLE PROJECTION	DRAWING	SERIES	MATERIAL NUMBER	CUSTOMER
			A3-SIZE	93792	938503612	GENERAL MARKET
					DOC PART	REVISION
					000	C
					SHEET NUMBER	
					16 OF 16	

DOCUMENT STATUS	RV	RELEASE DATE
-----------------	----	--------------