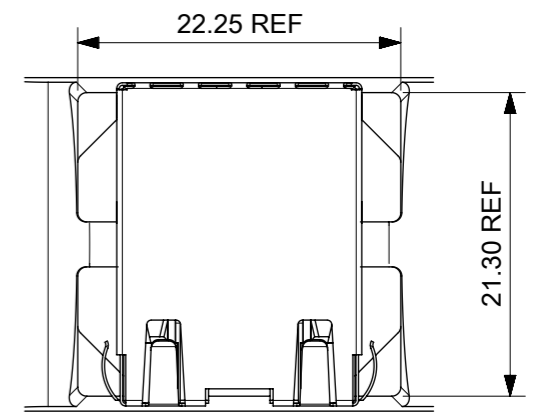
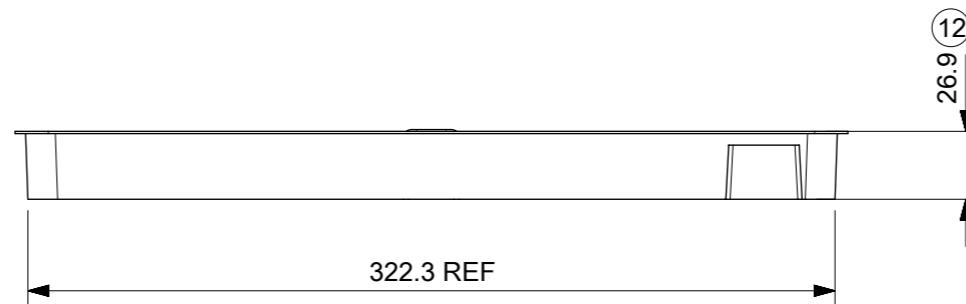
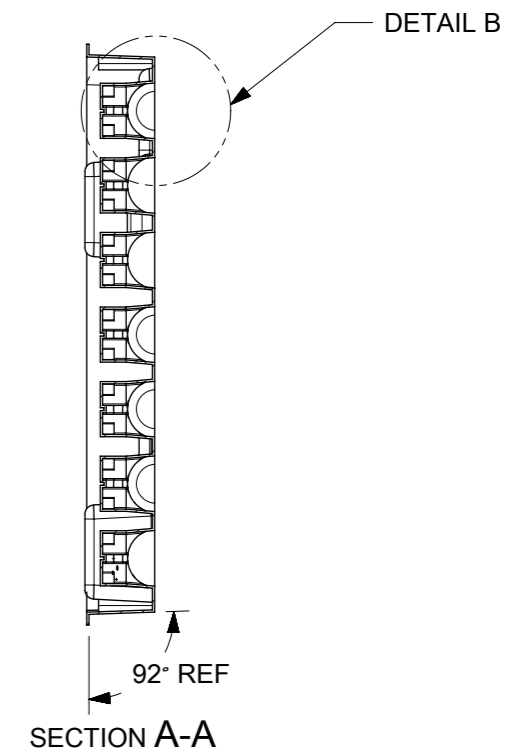
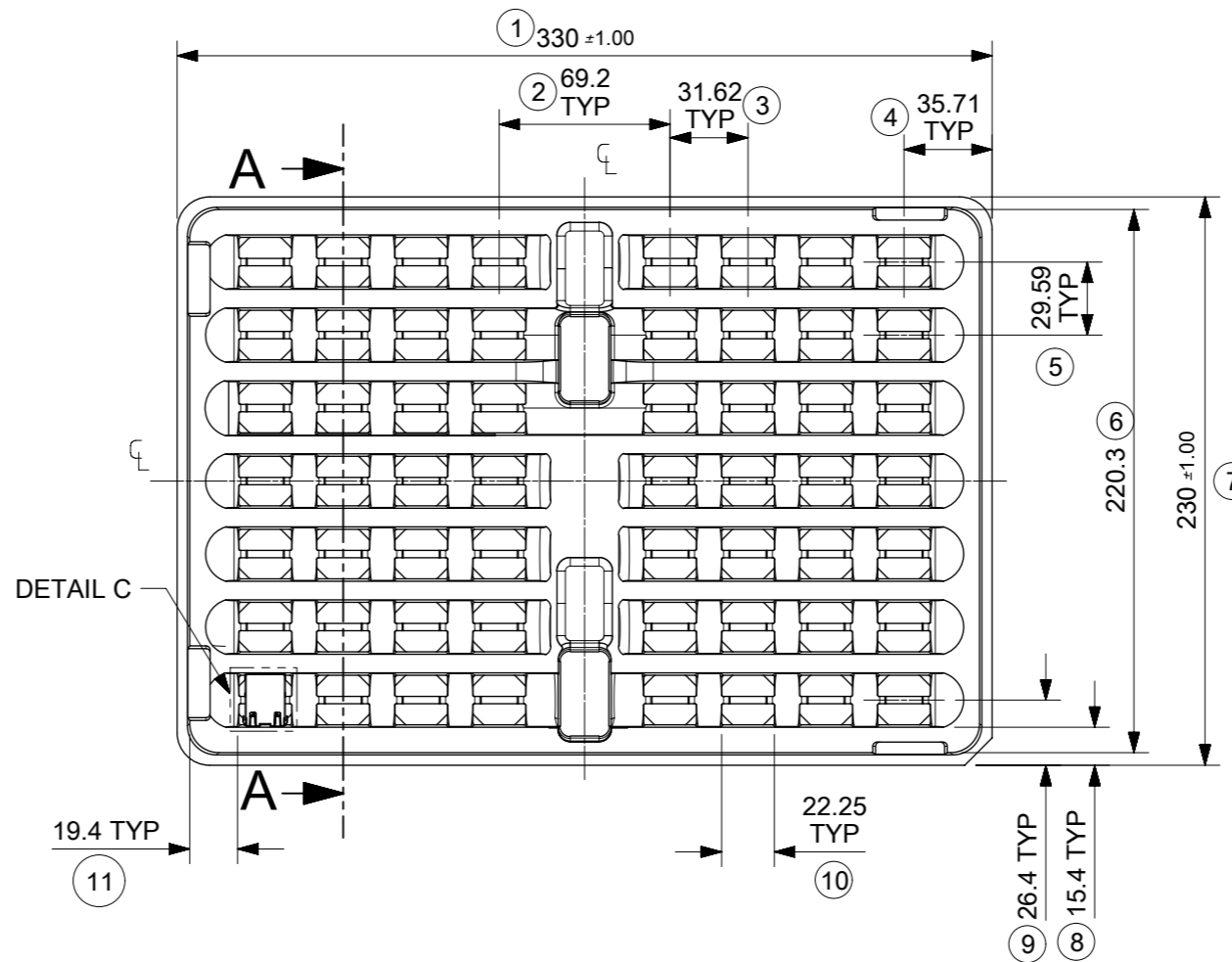


DETAIL B



DETAIL C
SCALE 2:1



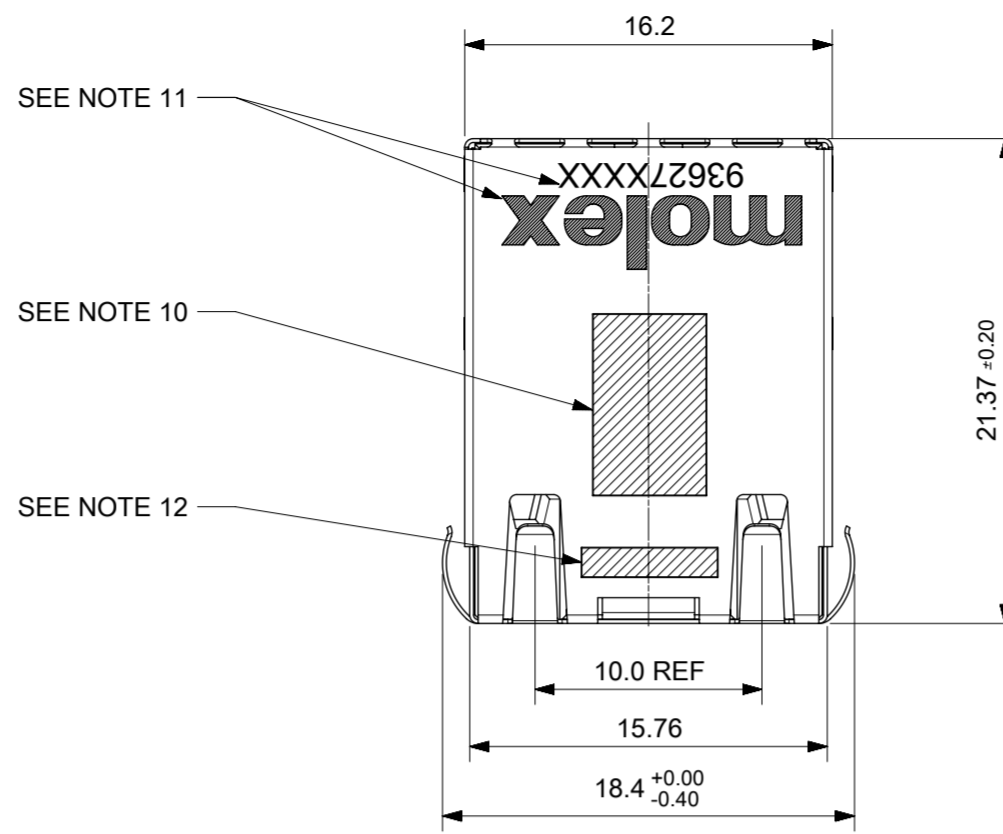
NOTES:

1. MATERIAL: PETA ANTISTATIC
2. THICKNESS: 0.9 mm ± 0.05 mm
3. COLOUR: CLEAR
4. BOW 2 mm MAXIMUM PER 330 mm
5. TWIST 2 mm MAXIMUM PER 330 mm
6. TRAY PART NO. AND RECYCLE LOGO TO BE CLEARLY MARKED ON TRAY
RECYCLE LOGO SHOULD BE APPROPRIATE TO MATERIAL USED
7. WHERE RELEVANT, DIMENSIONS SHOULD BE SYMMETRICAL ABOUT THE CENTRELINE
8. GENERAL PROFILE TOLERANCE 0.40 ON NON DIMENSIONED FEATURES

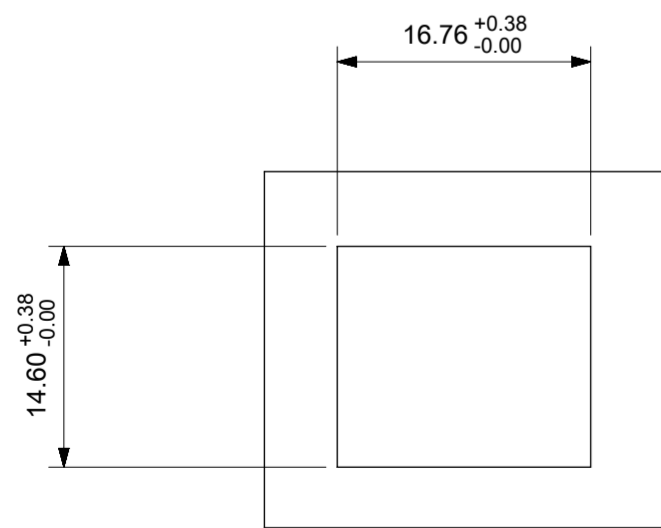
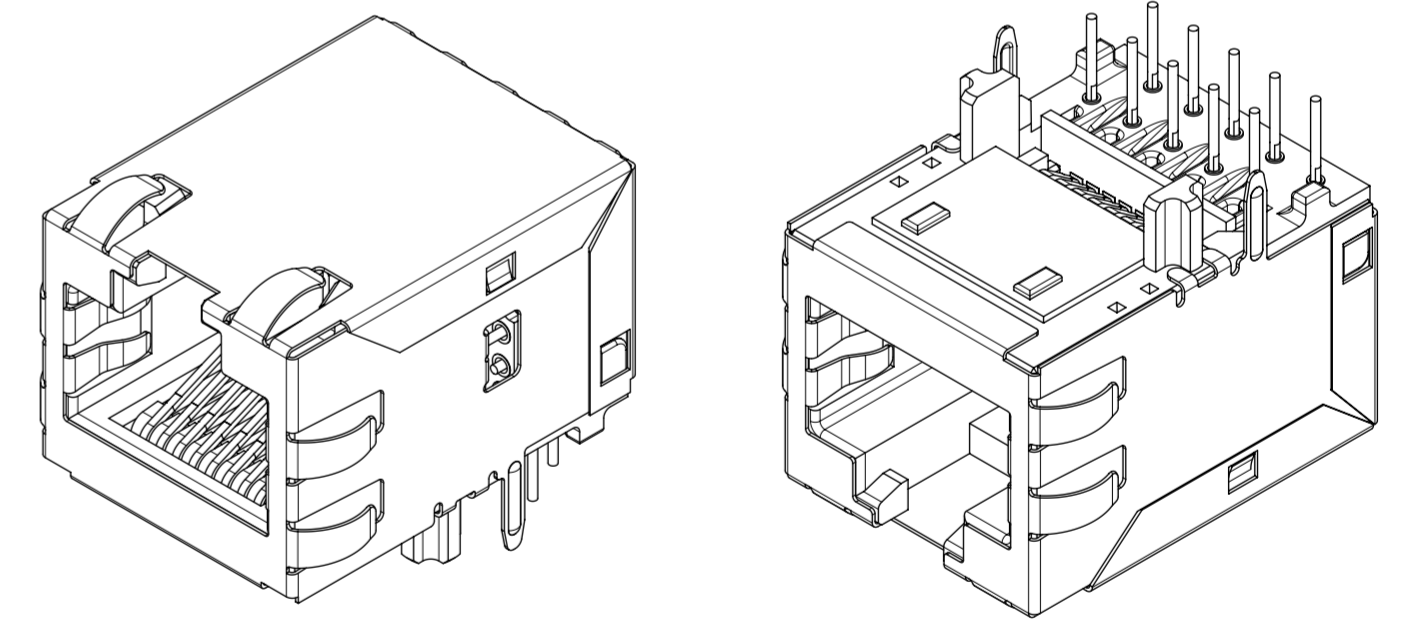
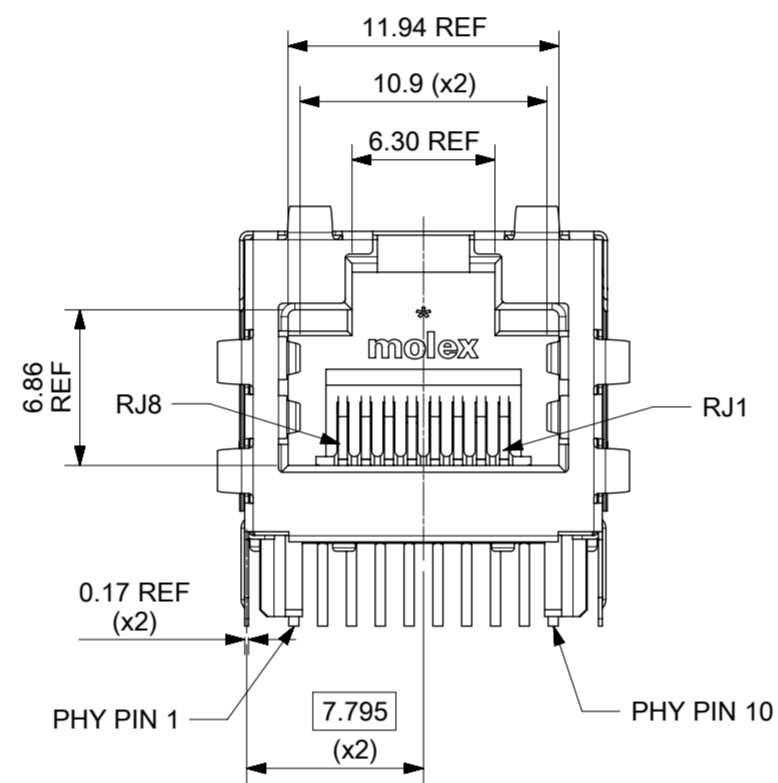
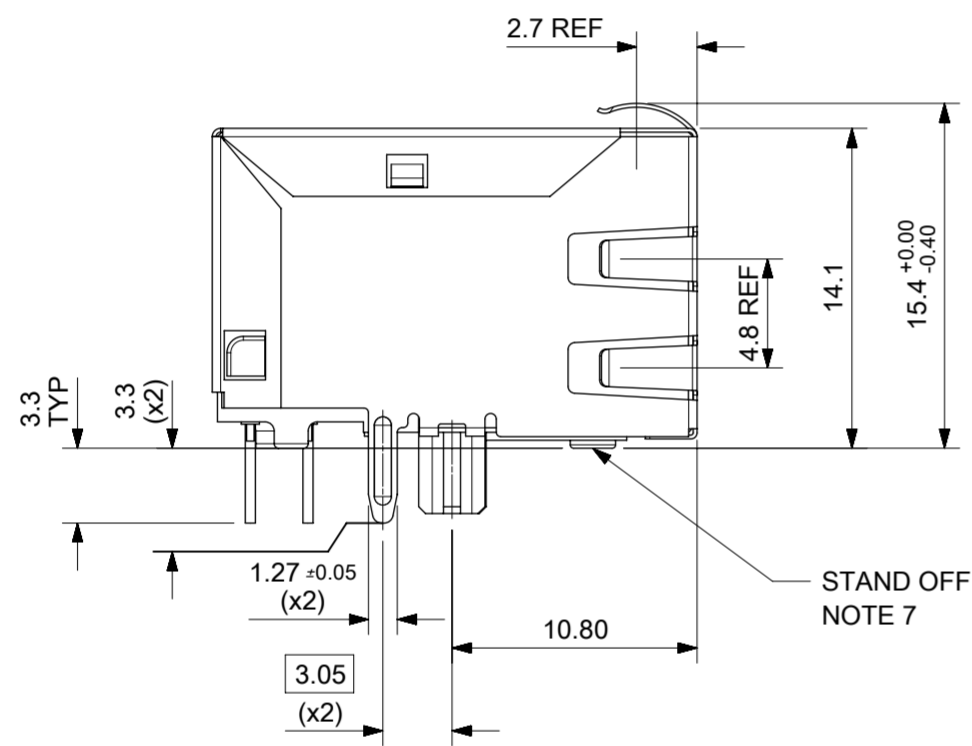
LAST INSPECTION NUMBER USED: 12

THIS DRAWING CONTAINS INFORMATION THAT IS PROPRIETARY TO MOLEX ELECTRONIC TECHNOLOGIES, LLC AND SHOULD NOT BE USED WITHOUT WRITTEN PERMISSION										
DIMENSION UNITS		SCALE		CURRENT REV DESC: REMOVED REFERENCE TO QUANTITY OF TRAYS PER STACK				molex		
mm		1:3								
GENERAL TOLERANCES (UNLESS SPECIFIED)				EC NO: 602124						
ANGULAR TOL ± 1.0°				DRWN: DSHEA		2018/09/07		MXMAG STANDARD AND INVERTED TRAY		
4 PLACES ±				CHK'D: DBYRNES		2019/01/25				
3 PLACES ±				APPR: DBYRNES		2019/01/25		PRODUCT CUSTOMER DRAWING		
2 PLACES ± 0.2				INITIAL REVISION:						
1 PLACE ± 0.5				DRWN: KREILLY		2016/05/06		DOCUMENT NUMBER 934620003		
0 PLACES ±				APPR: STGRIFFIN		2016/12/07				DOC TYPE PSD
DRAFT WHERE APPLICABLE MUST REMAIN WITHIN DIMENSIONS		THIRD ANGLE PROJECTION 		DRAWING A3-SIZE	SERIES 93462	MATERIAL NUMBER 990250150	CUSTOMER GENERAL MARKET		SHEET NUMBER 1 OF 1	

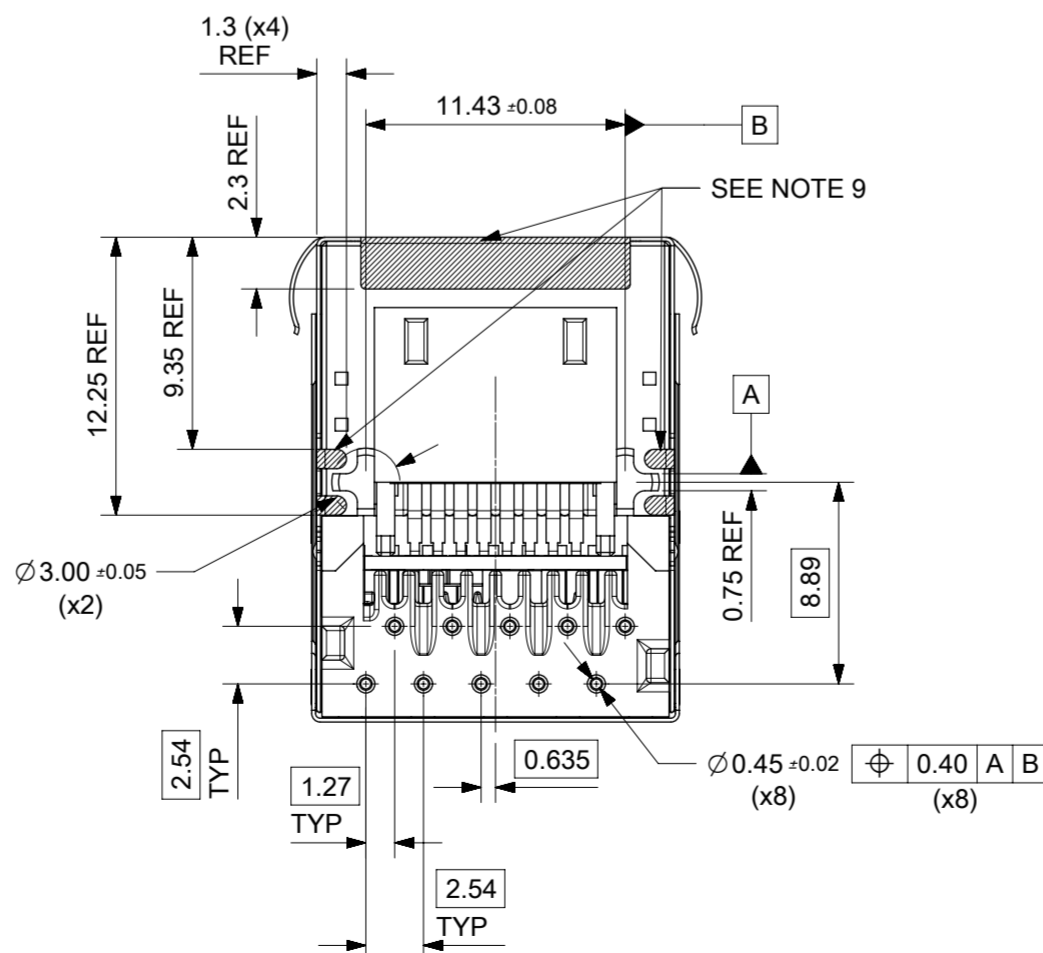
INVERTED PROFILE MAGNETIC JACK
GIGABIT ETHERNET W/SHIELD TABS



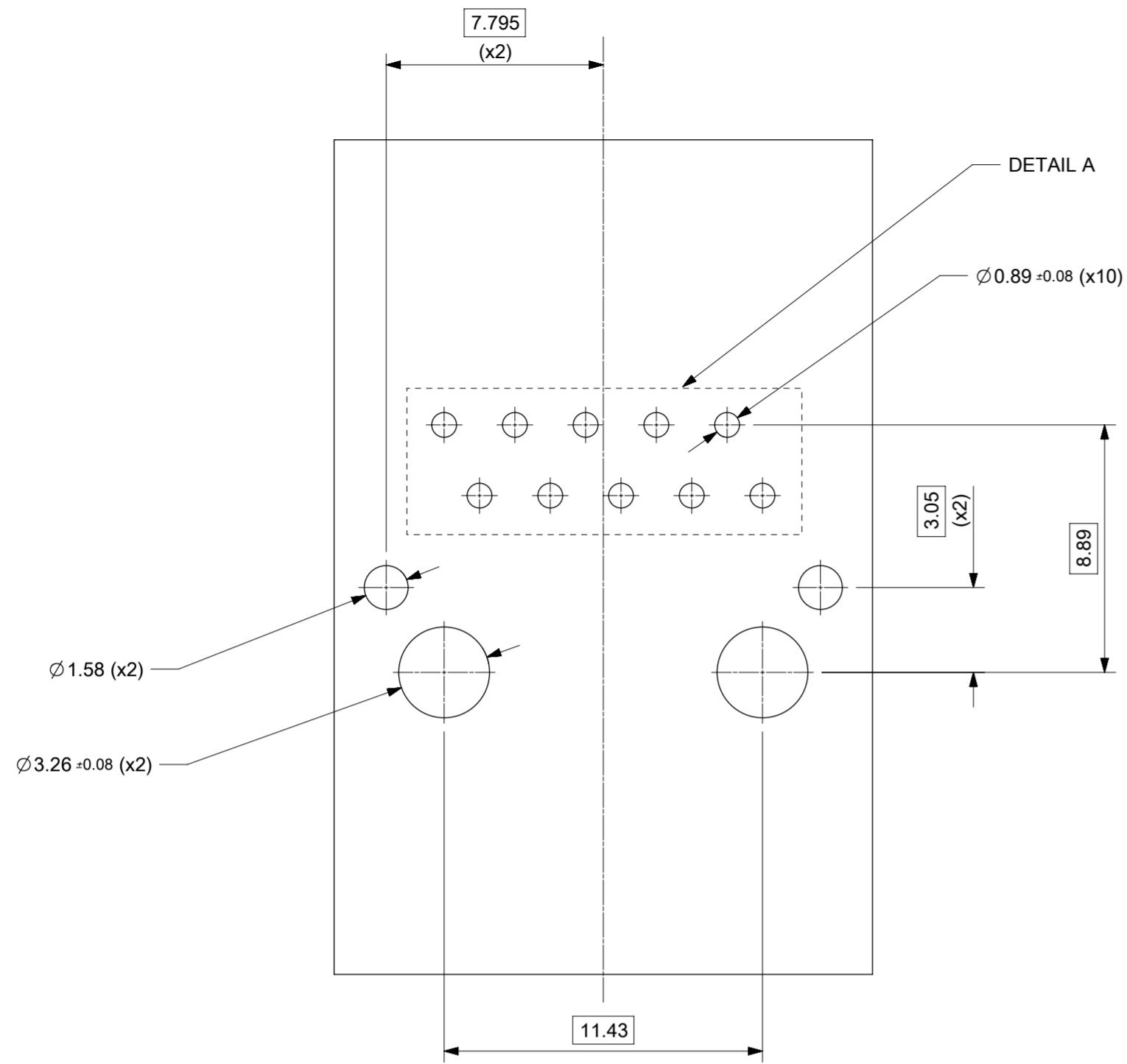
- NOTES:
- 1 - SHIELD MATERIAL: 0.17 mm THICK BRASS PRE-PLATED WITH NICKEL
SOLDER TABS POST DIPPED WITH MIN 1.27 μm TIN
 - 2 - HOUSING MATERIAL: LCP, BLACK, UL 94V-0
 - 3 - TERMINALS MATERIAL: PHOSPHOR BRONZE
RJ45 CONTACTS PLATING: BASE NICKEL PLATED WITH GOLD
FLASH OVER PALLADIUM NICKEL. REFER TO 934620001 PSP
PHY SOLDER TAILS: COPPER ALLOY
 - 4 - MATING INTERFACE ACCORDING TO IEC 60603-7 & TIA-1096-A
 - 5 - PRODUCT SPECIFICATION: 934620001 PSP
 - 6 - PACKAGING SPECIFICATION: 934620001 PSK - TRAY
 - 7 - STAND OFF TO SYSTEM BOARD 0.30 mm MIN
 - 8 - RECOMMENDED PCB THICKNESS: 1.57 mm
 - 9 - SHIELD: AVOID ROUTING TRACES
OR PLACING ANY VIAS BELOW THESE AREAS
 - 10 - AREA FOR PICK AND PLACE: 5.0 mm X 8.0 mm
 - 11 - INSCRIPTION MARKED BY LASER:
1st : MOLEX
2nd : P/N (SEE BOM)
 - 12 - INSCRIPTION MARKED BY LASER:
DATE CODE(DAY/WEEK/YEAR)
 - 13 - MATERIAL COMPLIANT TO RoHS DIRECTIVE 2002/95/EC



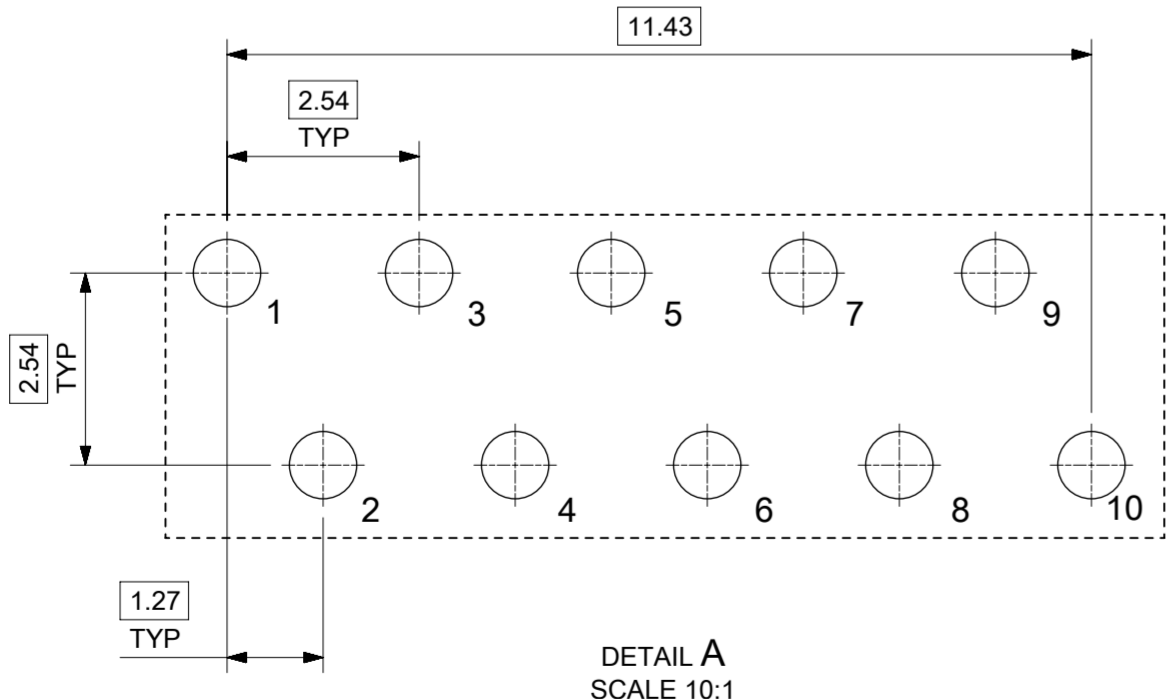
SUGGESTED PANEL CUT-OUT



THIS DRAWING CONTAINS INFORMATION THAT IS PROPRIETARY TO MOLEX ELECTRONIC TECHNOLOGIES, LLC AND SHOULD NOT BE USED WITHOUT WRITTEN PERMISSION		GENERAL TOLERANCES (UNLESS SPECIFIED)		DIMENSION UNITS		SCALE		molex		
mm		3:1		mm		3:1				
REVISED EC NO: 116686 DRWN: KREILLY CHKD: DSHEA REV APPR: DBYRNES	2017/05/09	ANGULAR TOL ± 2.0 °		DRWN BY		DATE		PRODUCT CUSTOMER DRAWING		
	2017/09/12	4 PLACES ±	JKEARNS		2015/11/05		SERIES MATERIAL NUMBER CUSTOMER			
	2017/09/26	3 PLACES ±	JKEARNS		2015/12/17					93627 SEE TABLE ON SHEET 2 GENERAL MARKET
		2 PLACES ± 0.1	STGRIFFIN		2015/11/19		DOCUMENT NUMBER DOC TYPE DOC PART SHEET NUMBER			
		1 PLACE ± 0.2	DRAFT WHERE APPLICABLE MUST REMAIN WITHIN DIMENSIONS		A2					936270004 PSD 000 1 OF 3
	0 PLACES ±									



SUGGESTED BOARD LAYOUT
GIGABIT VERSION
COMPONENT SIDE
ALL DIMS REFERENCE DIMS

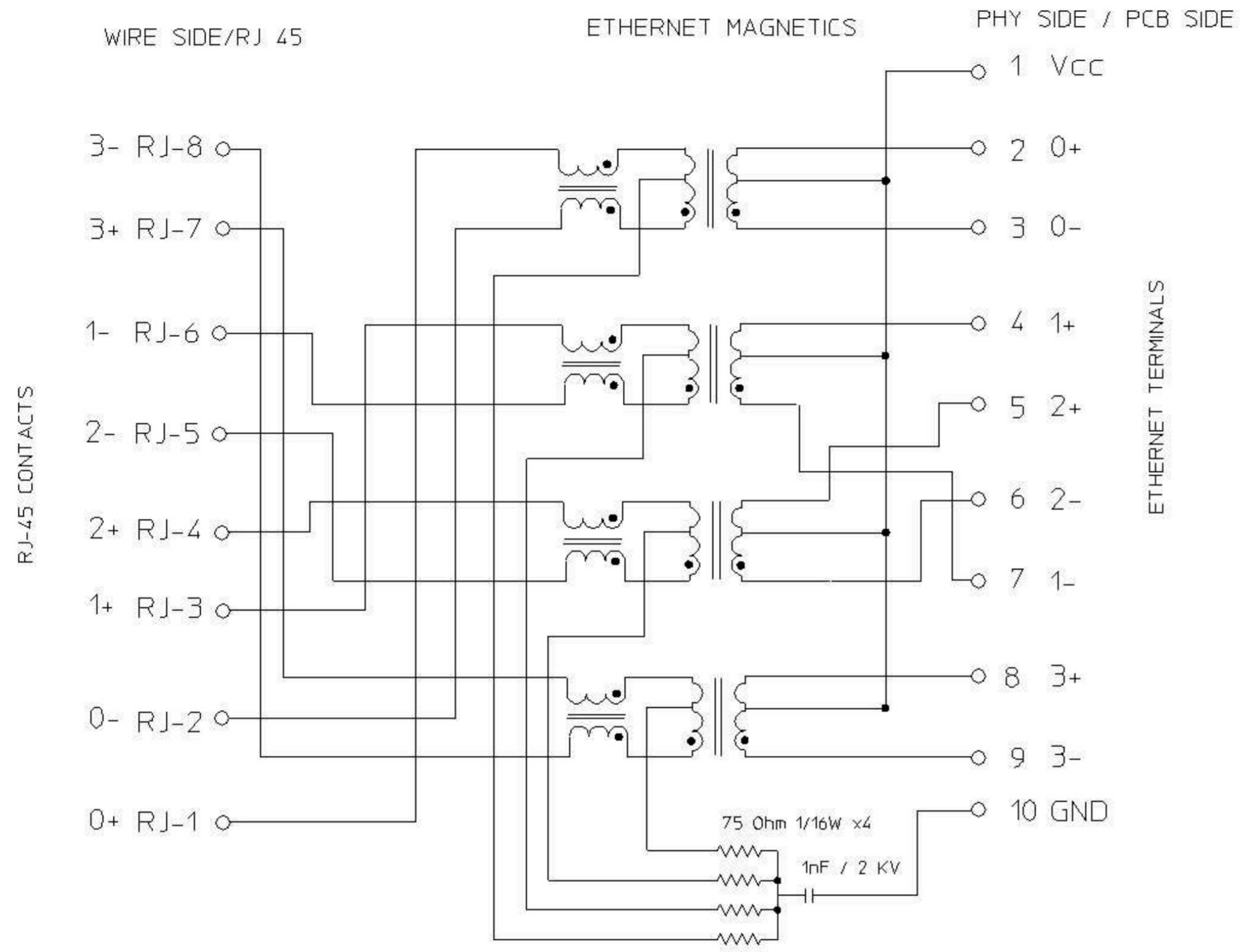


DETAIL A
SCALE 10:1

PIN CONFIGURATION
FOR GIGABIT VERSION

PART NUMBER	LEFT LED	RIGHT LED
93627-8020	N/A	N/A

THIS DRAWING CONTAINS INFORMATION THAT IS PROPRIETARY TO MOLEX ELECTRONIC TECHNOLOGIES, LLC AND SHOULD NOT BE USED WITHOUT WRITTEN PERMISSION												
REVISED	EC NO: 116686	2017/05/09	GENERAL TOLERANCES (UNLESS SPECIFIED)	DIMENSION UNITS	SCALE	molex INV MX-MAG 8CORE GIG NO LED W/SHIELD TAB						
	DRWN: KREILLY	2017/09/12	(UNLESS SPECIFIED)	mm	5:1							
	CHKD: DSHEA	2017/09/26	ANGULAR TOL ± 2.0 °	DRWN BY	DATE	PRODUCT CUSTOMER DRAWING						
	REV	APPR: DBYRNES		JKEARNS	2015/11/05	SERIES	MATERIAL NUMBER	CUSTOMER				
	C			CHK'D BY	DATE	93627	SEE TABLE	GENERAL MARKET				
			APPR BY	DATE	DRAWING SIZE		THIRD ANGLE PROJECTION		DOCUMENT NUMBER	DOC TYPE	DOC PART	SHEET NUMBER
			STGRIFFIN	2015/11/19	A2			936270004	PSD	000	2 OF 3	
			DRAFT WHERE APPLICABLE MUST REMAIN WITHIN DIMENSIONS									



Description	Value	
OCL @ 100 kHz, 0.1 V 8 mA DC bias (-40°C to +85°C)	350 μH min.	
Turns ratio	1CT:1CT	
Transmission characteristics @ 25°C, all four pairs		
Insertion Loss		
Frequency f, (MHz)	Limits (dB max.)	Typical Values (dB max.)
1.0-9.9	0.4+0.1*log(f)	0.5 @ 10 MHz
10-49.9	0.5+0.3*log(f/10)	0.7 @ 50 MHz
50-79.9	1+1.4*log(f/80)	1.0 @ 80 MHz
80-100	1.3+3*log(f/100)	1.3 @ 100 MHz
Return Loss		
Frequency f, (MHz)	Limits (dB min.)	Typical Values (dB min.)
1.0-39.9	18	18 @ 40 MHz
40-100	12-20*log(f/80)	10 @ 100 MHz
CMR		
Frequency f, (MHz)	Limits (dB min.)	Typical Values (dB min.)
1.0-100	30	30 @ 100 MHz
Next		
Frequency f, (MHz)	Limits (dB min.)	Typical Values (dB min.)
1.0-39.9	35	35 @ 40 MHz
40-100	33-20*log(f/50)	27 @ 100 MHz
Isolation PHY to wire side	2.25 kVDC/60sec	

THIS DRAWING CONTAINS INFORMATION THAT IS PROPRIETARY TO MOLEX ELECTRONIC TECHNOLOGIES, LLC AND SHOULD NOT BE USED WITHOUT WRITTEN PERMISSION

REVISED EC NO: 116686 DRWN: KREILLY CHKD: DSHEA REV APPR: DBYRNES	2017/05/09	GENERAL TOLERANCES (UNLESS SPECIFIED)	DIMENSION UNITS	SCALE				
	2017/09/12	ANGULAR TOL ± 2.0 °	mm	1:1				
	2017/09/26	4 PLACES ±	DRWN BY	DATE		INV MX-MAG 8CORE GIG NO LED W/SHIELD TAB		
		3 PLACES ±	JKEARNS	2015/11/05				
		2 PLACES ± 0.1	CHK'D BY	DATE		PRODUCT CUSTOMER DRAWING		
	1 PLACE ± 0.2	JKEARNS	2015/12/17					
	0 PLACES ±	APPR BY	DATE	SERIES	MATERIAL NUMBER	CUSTOMER		
	DRAFT WHERE APPLICABLE MUST REMAIN WITHIN DIMENSIONS	STGRIFFIN	2015/11/19	93627	SEE TABLE ON SHEET 2	GENERAL MARKET		
		DRAWING SIZE	THIRD ANGLE PROJECTION	DOCUMENT NUMBER		DOC TYPE	DOC PART	SHEET NUMBER
		A2		936270004		PSD	000	3 OF 3