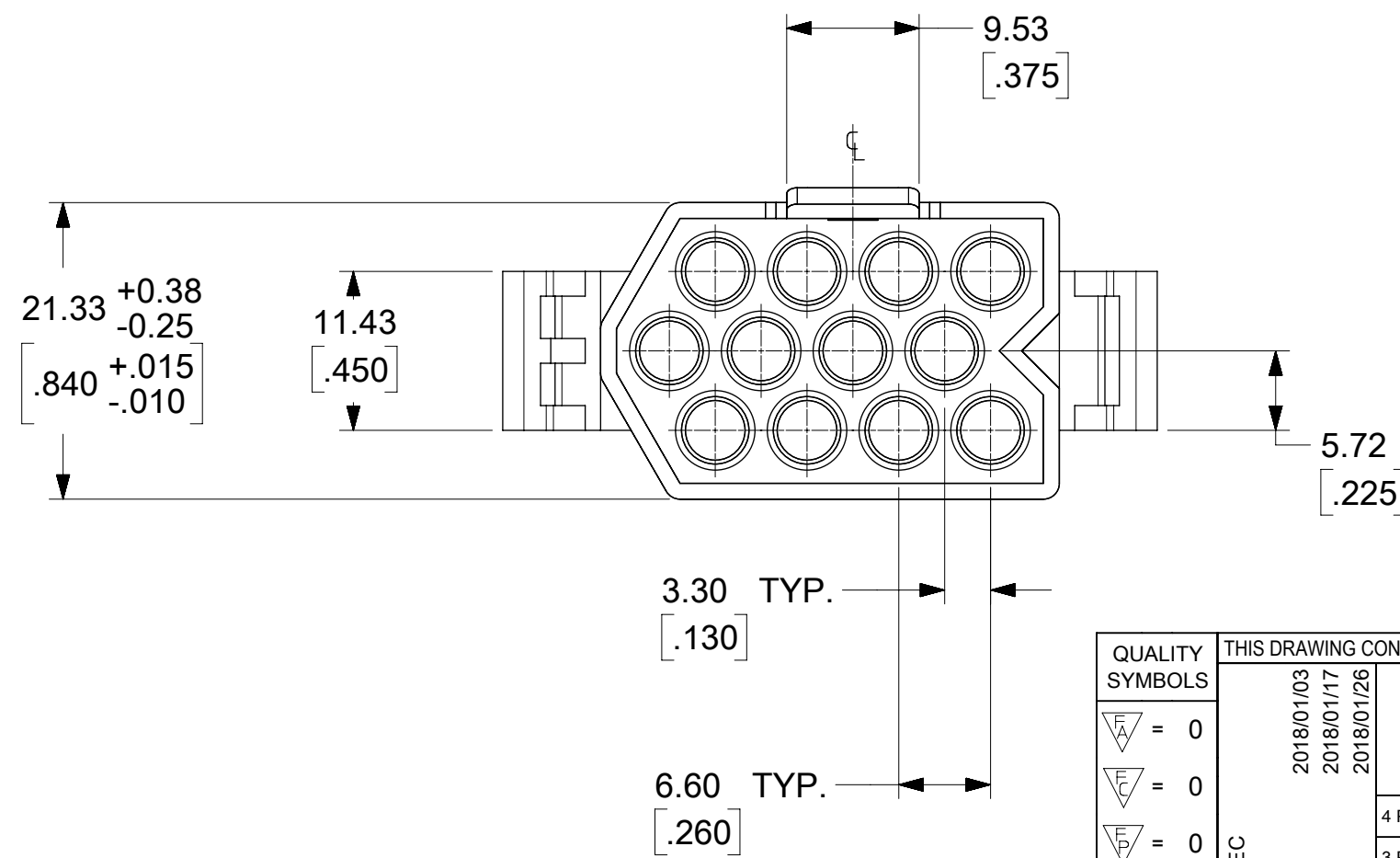
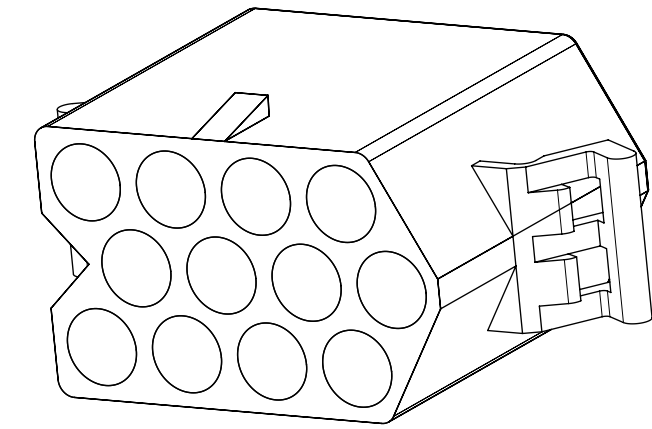
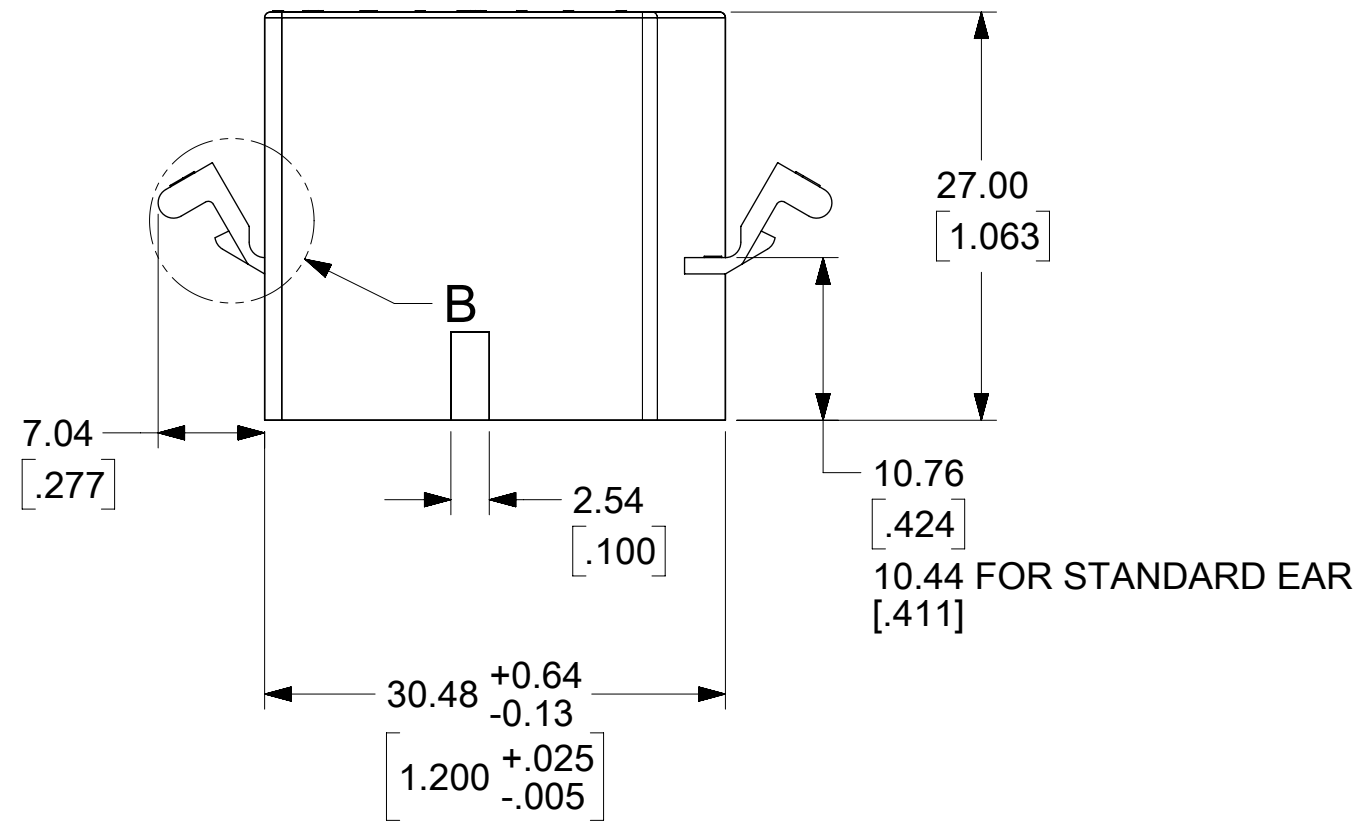
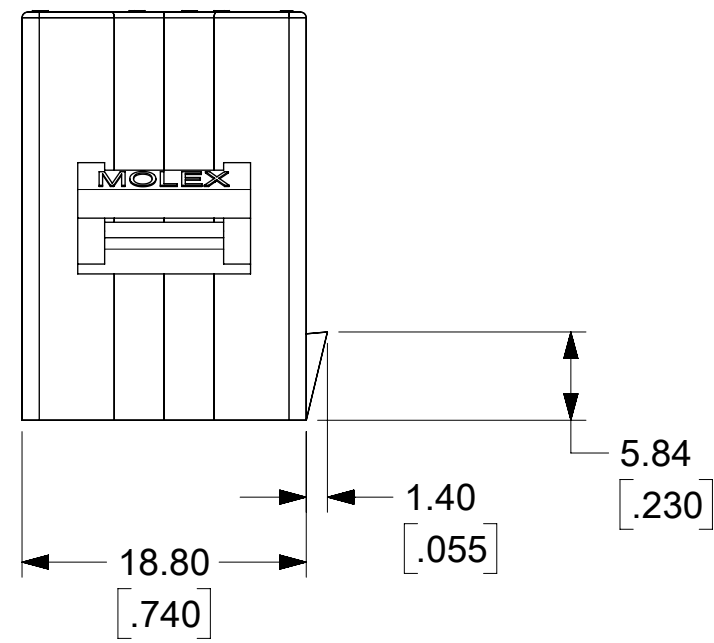
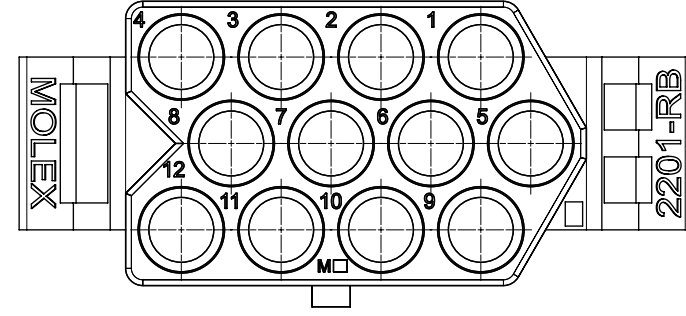


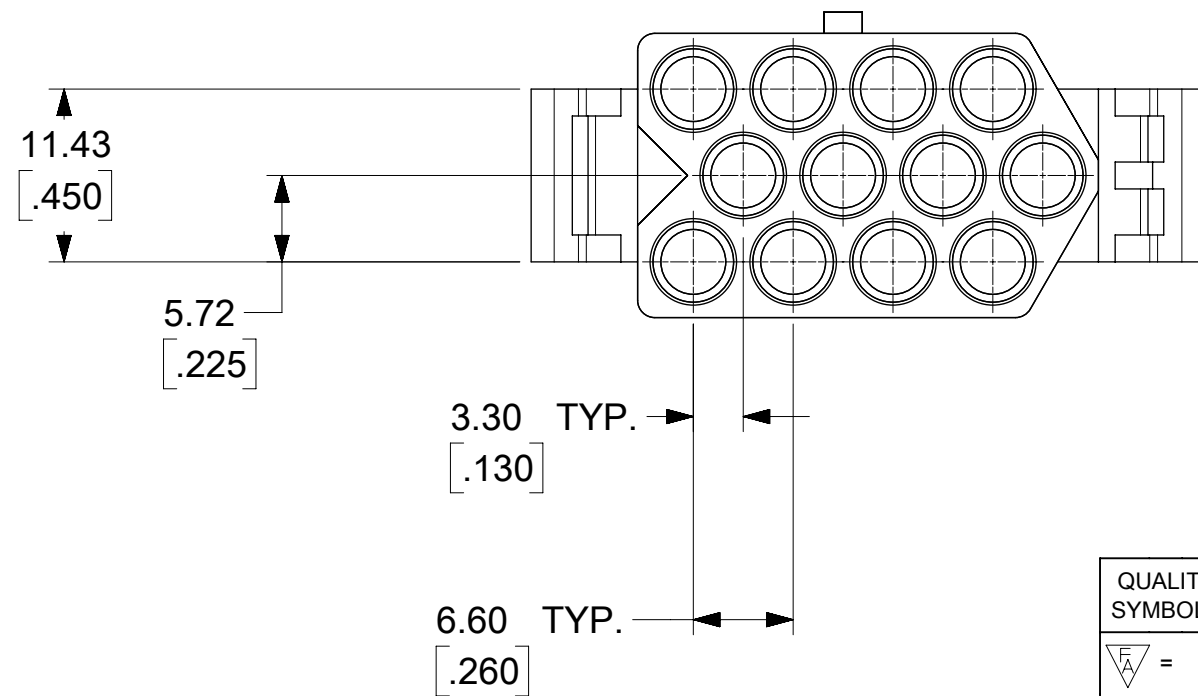
PLUG 2201-PB



QUALITY SYMBOLS ▽ = 0 ▽ = 0 ▽ = 0 ▽ = 0 ▽ = 0 ▽ = 0 ▽ = 0 ▽ = 0 ▽ = 0 ▽ = 0										THIS DRAWING CONTAINS INFORMATION THAT IS PROPRIETARY TO MOLEX ELECTRONIC TECHNOLOGIES, LLC AND SHOULD NOT BE USED WITHOUT WRITTEN PERMISSION									
EC NO: 170211 DRWN: AZAHIROVIC CHKD: MKIPPER REV: APPR: FSMITH		2018/01/03 2018/01/17 2018/01/26		GENERAL TOLERANCES (UNLESS SPECIFIED) MM INCH 4 PLACES ± ± 3 PLACES ± ± 0.01 2 PLACES ± 0.25 ± 0.014 1 PLACES ± 0.35 ± 0 PLACES ± ±				DIMENSION UNITS MM/IN		SCALE 2:1									
PK SPEC EC NO: 170211 DRWN: AZAHIROVIC CHKD: MKIPPER REV: APPR: FSMITH		2018/01/03 2018/01/17 2018/01/26		DRWN BY DATE BAPPELDORN 2016/06/01 CHK'D BY DATE MKIPPER 2016/06/10 APPR BY DATE FSMITH 2016/06/13				DRAWING SIZE C		THIRD ANGLE PROJECTION						12 CIRCUIT HOUSING PLUG & RECEPTACLE			
PRODUCT CUSTOMER DRAWING		SERIES 2201		MATERIAL NUMBER SEE CHART		CUSTOMER				DOCUMENT NUMBER 22010000-SD				DOC TYPE PSD		DOC PART 000		SHEET NUMBER 1 OF 3	



RECEPACLE 2201-RB



QUALITY SYMBOLS		THIS DRAWING CONTAINS INFORMATION THAT IS PROPRIETARY TO MOLEX ELECTRONIC TECHNOLOGIES, LLC AND SHOULD NOT BE USED WITHOUT WRITTEN PERMISSION			
▽ = 0	PK SPEC	GENERAL TOLERANCES (UNLESS SPECIFIED)		DIMENSION UNITS	SCALE
▽ = 0	EC NO: 170211	MM	INCH	MM/IN	2:1
▽ = 0	DRWN: AZAHIROVIC	4 PLACES ±	±	DRWN BY	DATE
▽ = 0	CHKD: MKIPPER	3 PLACES ±	± 0.01	BAPPELDORN	2016/06/01
▽ = 0	APPR: FSMITH	2 PLACES ±	± 0.014	CHK'D BY	DATE
▽ = 0	REV	1 PLACES ±	± 0.35	MKIPPER	2016/06/10
▽ = 0		0 PLACES ±	±	APPR BY	DATE
▽ = 0		ANGULAR TOL =		FSMITH	2016/06/13
▽ = 0		DRAFT WHERE APPLICABLE MUST REMAIN WITHIN DIMENSIONS		DRAWING SIZE	THIRD ANGLE PROJECTION
▽ = 0				C	
RELEASE STATUS		P1		RELEASE DATE	
12		11		2018/01/26 23:39:32	
11		10		9	
10		9		8	
9		8		7	
8		7		6	
7		6		5	
6		5		4	
5		4		3	
4		3		2	
3		2		1	
2		1		1	
1		1		1	



12 CIRCUIT HOUSING PLUG & RECEPTACLE

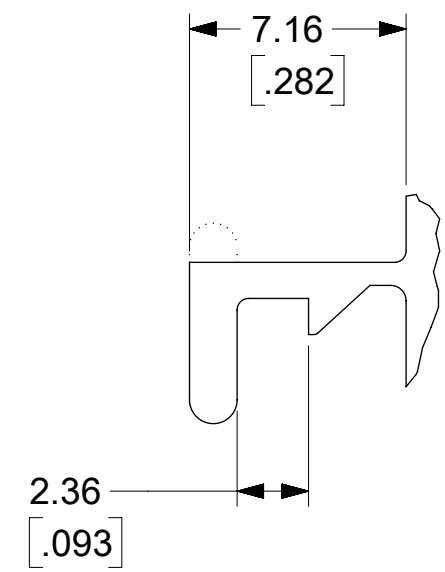
PRODUCT CUSTOMER DRAWING

SERIES: 2201 MATERIAL NUMBER: SEE CHART CUSTOMER:

DOCUMENT NUMBER: 22010000-SD DOC TYPE: PSD DOC PART: 000 SHEET NUMBER: 2 OF 3

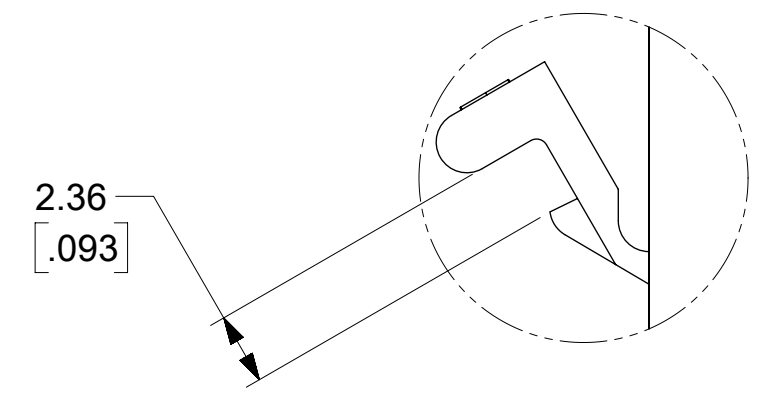
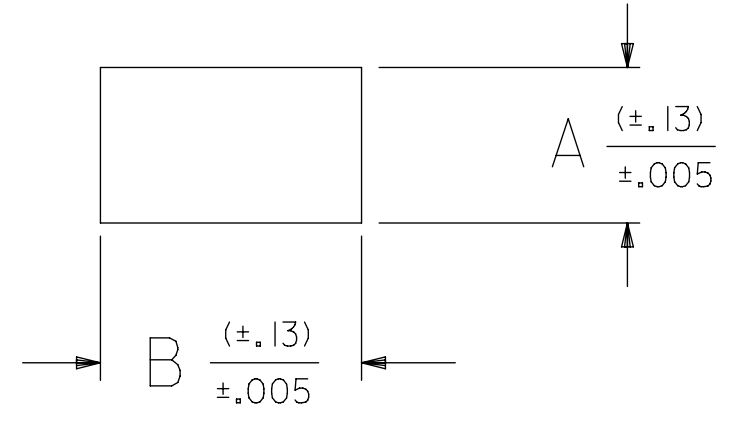
PLUG		
PART NO.	ENG. NO.	DESCRIPTION
46999-0802	2201-PB	PLUG WITH PRE-BENT EARS (DETAIL B)

RECEPTACLE		
PART NO.	ENG. NO.	DESCRIPTION
46999-0803	2201-RB	RECEPTACLE WITH PRE-BENT EARS (DETAIL B)



DETAIL A
SCALE 4:1
STANDARD MOUNTING EAR

MOUNTING PANEL OPENING		
HOUSING	DIM. "A"	DIM. "B"
PLUG	21.72/.855	37.08/1.460
RECEPTACLE	20.57/.810	34.54/1.360



DETAIL B
SCALE 4:1
PRE-BENT MOUNTING EAR

NOTES:

- 1) MATERIAL: NYLON TYPE 6/6, 94V-2, NATURAL.
- 2) FINISH: N/A
- 3) PRODUCT SPEC: NONE.
- 4) PACKAGING SPECS: BULK PACK PER 22010000-PK.
- 5) FOR USE WITH 3.18/.125 DIA. SERIES TERMINALS.
- 6) MAXIMUM PANEL THICKNESS 2.29/.090.
- 7) PARTS CONFORM TO CLASS B REQUIREMENTS OF COSMETIC SPECIFICATION PS-45499-002.

QUALITY SYMBOLS 	THIS DRAWING CONTAINS INFORMATION THAT IS PROPRIETARY TO MOLEX ELECTRONIC TECHNOLOGIES, LLC AND SHOULD NOT BE USED WITHOUT WRITTEN PERMISSION				PK SPEC EC NO: 170211 DRWN: AZAHIROVIC CHKD: MKIPPER REV: APPR: FSMITH	2018/01/03 2018/01/17 2018/01/26	GENERAL TOLERANCES (UNLESS SPECIFIED) <table border="1"> <tr> <th></th> <th>MM</th> <th>INCH</th> </tr> <tr> <td>4 PLACES</td> <td>±</td> <td>±</td> </tr> <tr> <td>3 PLACES</td> <td>±</td> <td>± 0.01</td> </tr> <tr> <td>2 PLACES</td> <td>± 0.25</td> <td>± 0.014</td> </tr> <tr> <td>1 PLACES</td> <td>± 0.35</td> <td>±</td> </tr> <tr> <td>0 PLACES</td> <td>±</td> <td>±</td> </tr> </table>		MM	INCH	4 PLACES	±	±	3 PLACES	±	± 0.01	2 PLACES	± 0.25	± 0.014	1 PLACES	± 0.35	±	0 PLACES	±	±	DIMENSION UNITS: MM/IN SCALE: 1:1	
		MM	INCH																								
4 PLACES	±	±																									
3 PLACES	±	± 0.01																									
2 PLACES	± 0.25	± 0.014																									
1 PLACES	± 0.35	±																									
0 PLACES	±	±																									
DRWN BY: BAPPELDORN DATE: 2016/06/01 CHK'D BY: MKIPPER DATE: 2016/06/10 APPR BY: FSMITH DATE: 2016/06/13	PRODUCT CUSTOMER DRAWING SERIES: 2201 MATERIAL NUMBER: SEE CHART CUSTOMER:																										
DRAFT WHERE APPLICABLE MUST REMAIN WITHIN DIMENSIONS ANGULAR TOL:	DRAWING SIZE: C THIRD ANGLE PROJECTION	DOCUMENT NUMBER: 22010000-SD DOC TYPE: PSD DOC PART: 000 SHEET NUMBER: 3 OF 3																									