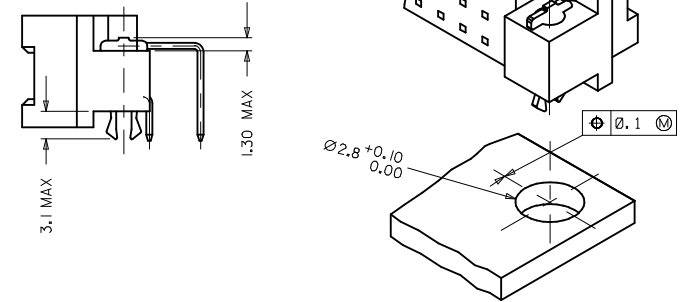


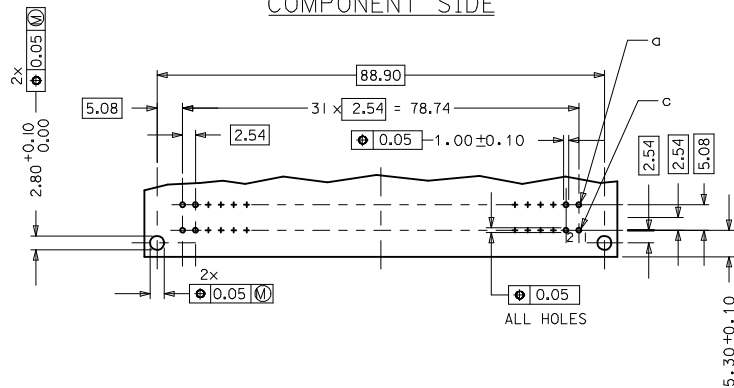
WITH MOUNTING CLIPS



NOTES:

- 1) MATERIAL : THERMOPLASTIC POLYESTER, GLASS FILLED
UL94 V-0, COLOR : PEBBLE GREY RAL 7032
TERMINAL - BRASS
MOUNTING CLIP : STEEL
- 2) FINISH : TERMINAL CONTACT AREA
1) PERFORMANCE LEVEL 3: SELECTIVE GOLD (AU), THICKNESS = 0.3 MICROMETER
OVER NICKEL, THICKNESS = 1.25 MICROMETER
TERMINATION AREA:
SELECTIVE TIN, THICKNESS = 2.5 MICROMETER
OVER NICKEL, THICKNESS = 1.25 MICROMETER OVERALL
- 3) MOUNTING CLIP :
TIN (Sn), THICKNESS = 5-10 MICROMETER
OVER NICKEL (Ni) THICKNESS = 2.5 MICROMETER
- 4) FOR NON MOUNTING CLIP OPTION, CONNECTOR TO BE SECURED WITH RIVETS : 2 TUBULAR RIVETS 2.5 X 0.3 ... DIN 7340
SCREWS : 2 CHEESEHEAD SCREWS M2.5 X ... DIN 84 AND HEXAGONAL NUTS M2.5 DIN 934
- 5) MATERIAL NUMBER, BATCH CODE, UL AND CSA MARKING TO BE PRINTED ON THE CONNECTOR
- 6) CUT FACE OF TIP WITHOUT PLATING PERMITTED
- 7) PRODUCT SPECIFICATION PS: 36502-001

RECOMMENDED PCB LAYOUT
COMPONENT SIDE

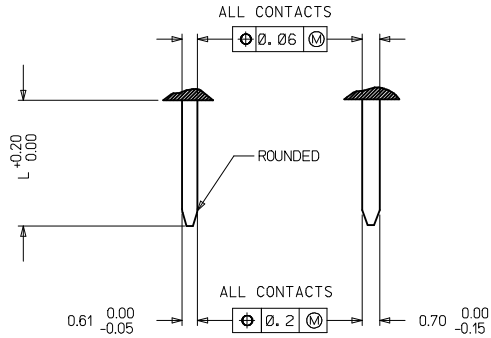


RoHS COMPLIANT

ENTER DESCRIPTION ELEC NO: 12009-0311 DRAWN BY: DRWINP JT CHKD BY: HARSHA APPR: SPANDI 2009/02/02 2009/02/02 2009/02/03 A2	QUALITY SYMBOLS ▽=0 ▽=0	GENERAL TOLERANCES (UNLESS SPECIFIED)		DIMENSION STYLE MM ONLY		SCALE 1:1	DESIGN UNITS METRIC	THIRD ANGLE PROJECTION	
		4 PLACES ± --- ± ---	mm	INCH	DRAWN BY SURAJ	DATE 2006/08/25	TITLE ASSEMBLY, DIN 41612 C MALE POLARIZED 64 POS CODING WTH MOUNTING CLPS		
		3 PLACES ± 0.005 ± ---			CHECKED BY SHANKAR	DATE 2006/08/25	MOLEX INCORPORATED		
		2 PLACES ± 0.10 ± ---			APPROVED BY SSUDHIR	DATE 2006/08/25	DOCUMENT NO. SD-36504-006	SHEET NO. 1 OF 2	
DRAFT WHERE APPLICABLE MUST REMAIN WITHIN DIMENSIONS		MATERIAL NO. 36504-0051		THIS DRAWING CONTAINS INFORMATION THAT IS PROPRIETARY TO MOLEX INCORPORATED AND SHOULD NOT BE USED WITHOUT WRITTEN PERMISSION					

20	19	18	17	16	15	14	13	12	11	10	9	8	7	6	5	4	3	2	1
MATERIAL NUMBER	MOLEX ENG NO	PERF LEVEL	PLATING	STD. CONTACT SEQUENCE/ROW	PREMATING CONTACT POS.	MOUNTING CLIP													
36504-0051	MM-B7600-C953	3	Au+Ni	a2-31, c2-31	a1, a32, c1, c32	YES													

DETAILY DETAILX



PRE MATING CONTACTS	5.4
NORMAL CONTACTS	4.8
	L

RoHS COMPLIANT

ENTER DESCRIPTION EC NO: 12009-0311 DRAWN BY: CHYKOR HARSHA APPR: SPANDI 2009/02/02 2009/02/02 2009/02/03	QUALITY SYMBOLS ▽=0 ▽=0	GENERAL TOLERANCES (UNLESS SPECIFIED)		DIMENSION STYLE MM ONLY		SCALE 1:1	DESIGN UNITS METRIC	THIRD ANGLE PROJECTION
		4 PLACES ± --- ± --- 3 PLACES ± 0.005 ± --- 2 PLACES ± 0.10 ± --- 1 PLACE ± 0.15 ± --- ANGULAR ± 2 °	mm INCH	DRAWN BY SURAJ	DATE 2006/08/25	TITLE ASSEMBLY, DIN 41612 C MALE POLARIZED 64 POS CODING WTH MOUNTING CLPS		MOLEX INCORPORATED
DRAFT WHERE APPLICABLE MUST REMAIN WITHIN DIMENSIONS	APPROVED BY SSUDHIR	DATE 2006/08/25	MATERIAL NO. 36504-0051	DOCUMENT NO. SD-36504-006	SHEET NO. 2 OF 2	THIS DRAWING CONTAINS INFORMATION THAT IS PROPRIETARY TO MOLEX INCORPORATED AND SHOULD NOT BE USED WITHOUT WRITTEN PERMISSION		